

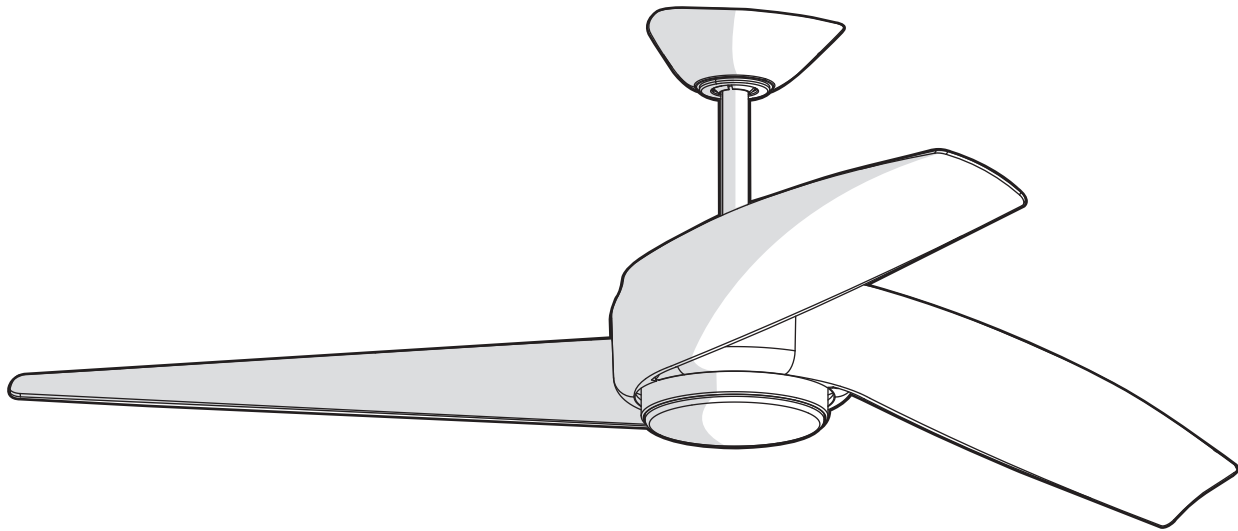
Item #1008 285 671  
1008 285 680  
Model #AK309-MBK  
AK309-MWH+CB

# HAMPTON BAY®

## USE AND CARE GUIDE

---

### 56 IN. TUDOR INDOOR CEILING FAN



Questions, problems, missing parts? Before returning to the store,  
call Hampton Bay Customer Service  
8 a.m. - 7 p.m., EST, Monday-Friday, 9 a.m. - 6 p.m., EST Saturday

**1-855-HD-HAMPTON**

**HAMPTONBAY.COM**



Visual instruction of how to install this fan:  
Visit [www.homedepot.com](http://www.homedepot.com) and enter either the Item or Model number to find  
this fan and click the link of visual instruction in the product overview section.

---

#### **THANK YOU**

*We appreciate the trust and confidence you have placed in Hampton Bay through the purchase of this ceiling fan. We strive to continually create quality products designed to enhance your home. Visit us online to see our full line of products available for your home improvement needs. Thank you for choosing Hampton Bay!*

# Table of Contents

Table of Contents .....	2	Assembly .....	7
Safety Information .....	2	Operation .....	13
Warranty .....	3	Care and Cleaning .....	18
Pre-installation .....	3	Troubleshooting .....	18
Installation .....	6		

# Safety Information

1. To reduce the risk of electric shock, ensure electricity has been turned off at the circuit breaker or fuse box before beginning.
2. All wiring must be in accordance with the National Electrical Code “ANSI/NFPA 70” and local electrical codes. Electrical installation should be performed by a qualified licensed electrician.
3. The outlet box and support structure must be securely mounted and capable of reliably supporting a minimum of 35 lb (15.9 kg) or less. Use only UL Listed outlet boxes marked “FOR FAN SUPPORT.”
4. The fan must be mounted with a minimum of 7 ft (2.1 m) clearance from the trailing edge of the blades to the floor.
5. Avoid placing objects in the path of the blades.
6. To avoid personal injury or damage to the fan and other items, be cautious when working around or cleaning the fan.
7. Do not use water or detergents when cleaning the fan or fan blades. A dry dust cloth or lightly dampened cloth will be suitable for most cleaning.
8. After making electrical connections, spliced conductors should be turned upward and pushed carefully up into the outlet box. The wires should be spread apart with the grounded conductor and the equipment-grounding conductor on one side of the outlet box and ungrounded conductor on the other side of the outlet box.
9. All set screws must be checked and retightened where necessary before installation.
10. Suitable for use with solid-state speed control (MR205A-TR only).

The following responsible party designated in FCC §2.909 is responsible for this declaration:

Model Number: AK309-MBK, AK309-MWH+CB  
Company Name: TAL INTERNATIONAL CORPORATION  
Company Address: 2919 E. Philadelphia St., Ontario, CA 91761, U.S.A.  
Telephone Number: (909) 923-2888 Fax: (909) 923-8337



**WARNING:** To reduce the risk of electric shock, this fan must be installed with an isolating wall control/switch.



**WARNING:** To reduce the risk of personal injury, do not bend the blade arms (also referred to as flanges), when installing the brackets, balancing the blades or cleaning the fan.



**WARNING:** Do not insert foreign objects between rotating fan blades.



**WARNING:** To reduce the risk of fire, electric shock or personal injury, mount the fan to an outlet box marked acceptable for fan support with the screws provided with the outlet box.



**CAUTION:** To reduce the risk of personal injury, use only the screws provided with the outlet box.

**READ AND SAVE THESE INSTRUCTIONS**

## Warranty

The manufacturer warrants the fan motor to be free from defects in workmanship and material present at time of shipment from the factory for a period of lifetime after the date of purchase by the original purchaser. The manufacturer warrants the light kit (excluding any glass), to be free from defects in workmanship and material at the time of shipment from the factory for a period of three years after the date of purchase by the original purchaser. The manufacturer also warrants that all other fan parts, excluding any glass or acrylic blades, to be free from defects in workmanship and material at the time of shipment from the factory for a period of one year after the date of purchase by the original purchaser. We agree to correct such defects without charge or at our option replace with a comparable or superior model if the product is returned. To obtain warranty service, you must present a copy of the receipt as proof of purchase. All costs of removing and reinstalling the product are your responsibility. Damage to any part such as by accident, misuse, improper installation or by affixing any accessories, is not covered by this warranty. Because of varying climatic conditions this warranty does not cover any changes in brass finish, including rusting, pitting, corroding, tarnishing or peeling. Brass finishes of this type give the longest useful life when protected from varying weather conditions. A certain amount of “wobble” is normal and should not be considered a defect. Servicing performed by unauthorized persons shall render the warranty invalid. There is no other express warranty. We hereby disclaim any and all warranties, including but not limited to those of merchantability and fitness for a particular purpose to the extent permitted by law. The duration of any implied warranty which cannot be disclaimed is limited to the time period as specified in the express warranty. Some states do not allow limitation on how long an implied warranty lasts, so the above limitation may not apply to you. The retailer shall not be liable for incidental, consequential, or special damages arising out of or in connection with product use or performance except as may otherwise be accorded by law. Some states do not allow the exclusion of incidental or consequential damages, so the above exclusion or limitation may not apply to you. This warranty gives specific legal rights, and you may also have other rights which vary from state to state. This warranty supersedes all prior warranties. Shipping costs for any return of product as part of a claim on the warranty must be paid by the customer.

Contact the Customer Service Team at 1-855-HD-HAMPTON or visit [www.hamptonbay.com](http://www.hamptonbay.com).

## Pre-Installation

### SPECIFICATIONS

Fan size	Speed	Volts	Amps	Watts	RPM	CFM	N.W.
56 in.	Low (Speed 1)	120	0.08	3.7	44	2195	8.0 kg (17.6 lb)
	Medium (Speed 5)		0.19	11.93	80	4067	
	High (Speed 9)		0.53	36.42	112	5777	



**NOTE:** These are approximate measures. They do not include amps and wattage used by the light kit.



### TOOLS REQUIRED

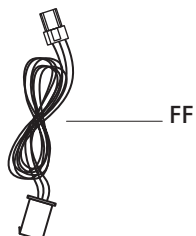
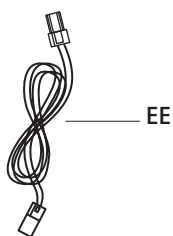
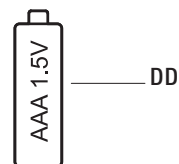
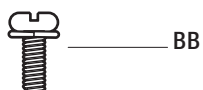
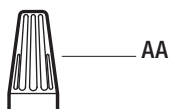


# Pre-Installation (continued)

## HARDWARE INCLUDED



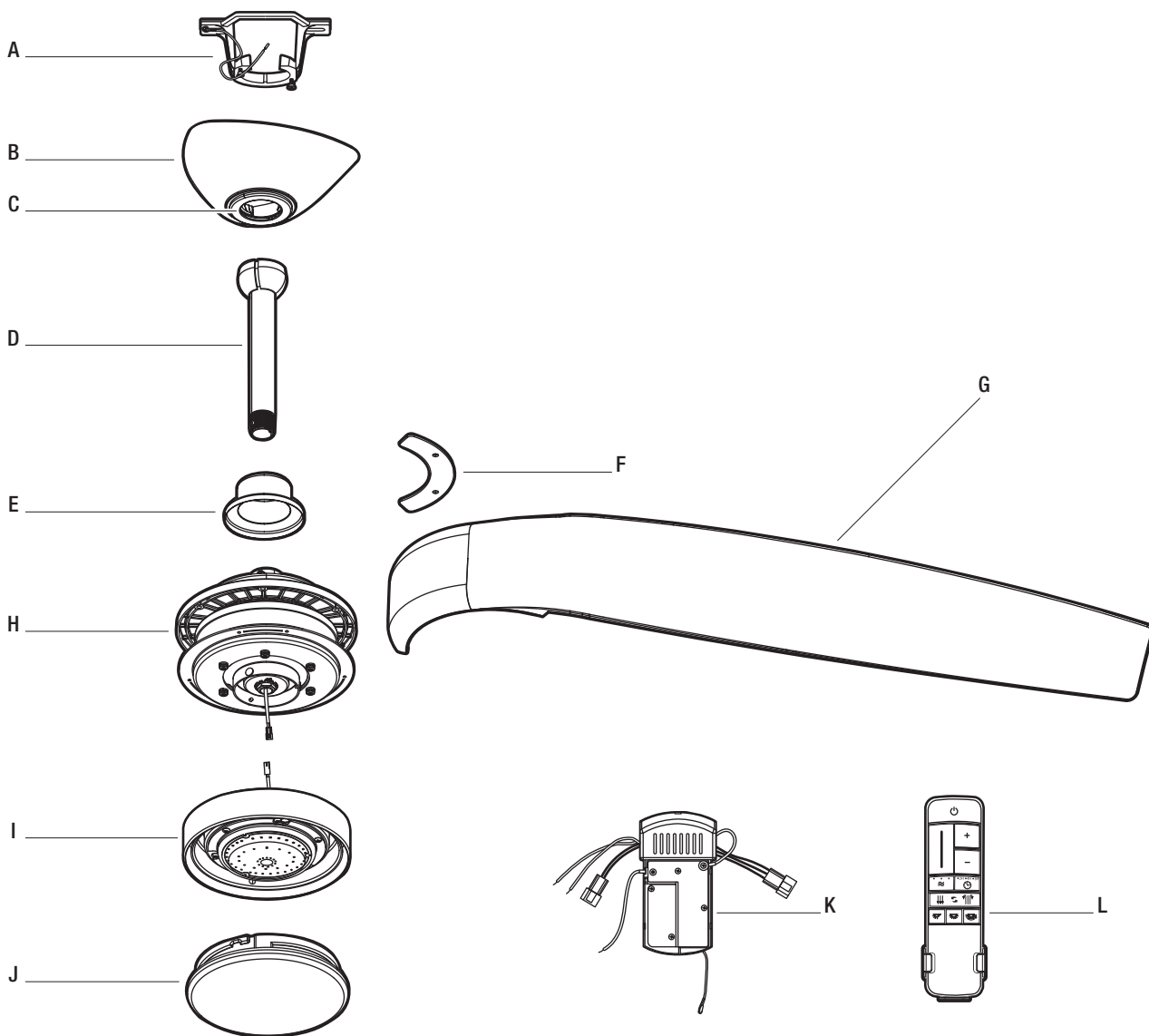
NOTE: Hardware not shown to actual size.



Part	Description	Quantity
AA	Plastic wire nut	3
BB	Blade attachment upper screw with lock washer	7
CC	Blade attachment lower screw with fiber washer	7
DD	1.5V AAA battery	2
EE	2-pin extension cord	1
FF	3-pin extension cord	1

# Pre-Installation (continued)

## PACKAGE CONTENTS



Part	Description	Quantity
A	Mounting bracket (preassembled)	1
B	Canopy	1
C	Canopy bottom cover (preassembled)	1
D	Hanger ball/downrod assembly	1
E	Coupling cover	3
F	Blade support plate	3

Part	Description	Quantity
G	Blade	3
H	Fan motor assembly	1
I	20 watt LED light kit	1
J	Glass shade	1
K	Receiver	1
L	Remote control	1

# Installation

## MOUNTING OPTIONS



**WARNING:** To reduce the risk of fire, electric shock, or personal injury, mount the fan to an outlet box marked acceptable for fan support using the screws provided with the outlet box. An outlet box commonly used for the support of lighting fixtures may not be acceptable for fan support and may need to be replaced. If in doubt, consult a qualified electrician.

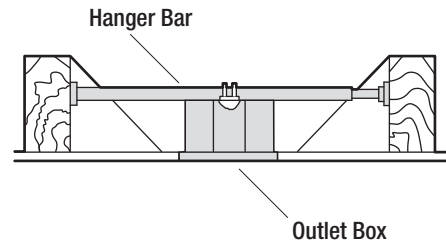
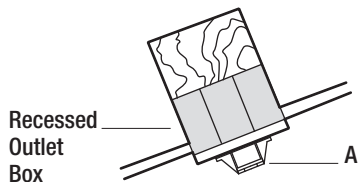
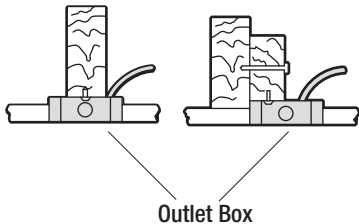
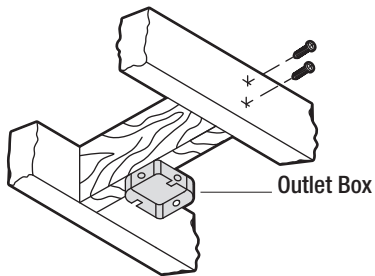


**NOTE:** You may need a longer downrod to maintain proper blade clearance when installing on a steep, sloped ceiling. The maximum angle allowable is 18° away from horizontal. If the canopy (B) touches the hanger ball/downrod assembly (D), remove the decorative canopy bottom cover (C) and turn the canopy (B) 180° before attaching the canopy (B) to the mounting bracket (A).

If your ceiling fan does not have an existing UL Listed mounting box, then install one using the following instructions:

- Disconnect the power by removing the fuses or turning off the circuit breakers.
- Secure the outlet box (not included) directly to the building structure. Use appropriate fasteners and materials (not included). The outlet box and its bracing must be able to fully support the weight of the moving fan (at least 35 lb). Do not use a plastic outlet box.

The illustrations below show three different ways to mount the outlet box (not included).



To hang your fan where there is an existing fixture but no ceiling joist, you may need an installation hanger bar (not included) as shown above.

# Assembly

## 1 Attaching the fan blades

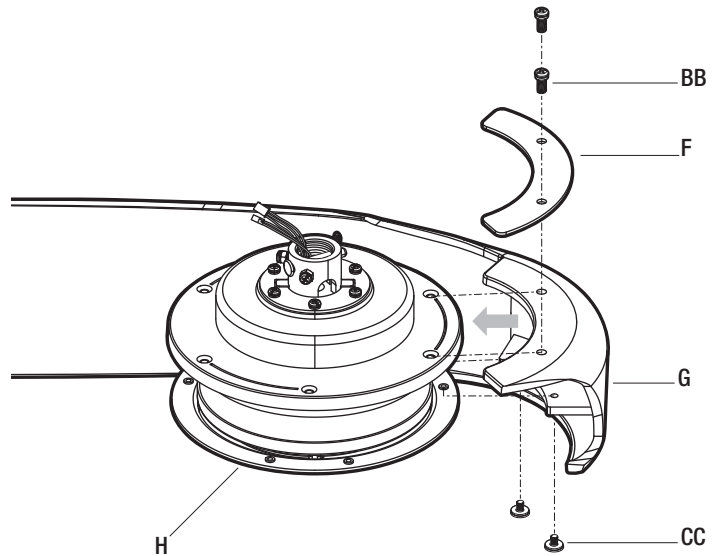


**WARNING:** To reduce the risk of personal injury, do not bend the blades (G) while installing, balancing the blades (G), or cleaning the fan.



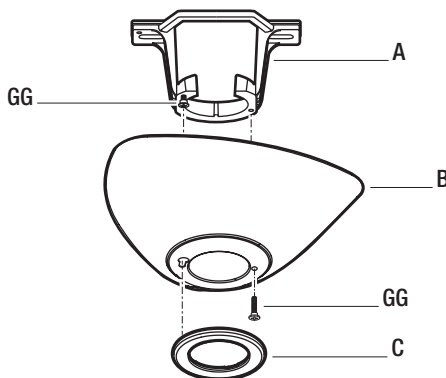
**WARNING:** Do not insert foreign objects between rotating fan blades (G).

- Align the holes from the blade (G) to the holes from the top housing and secure the blade in place with blade support plate (F) and blade attachment screws with lock washers (BB) provided.
- Align the bottom holes from the blade (G) to the holes from the bottom housing and secure the blade in place and blade attachment screws with fiber washers (CC) provided.
- Repeat this procedure with the remaining blades (G).



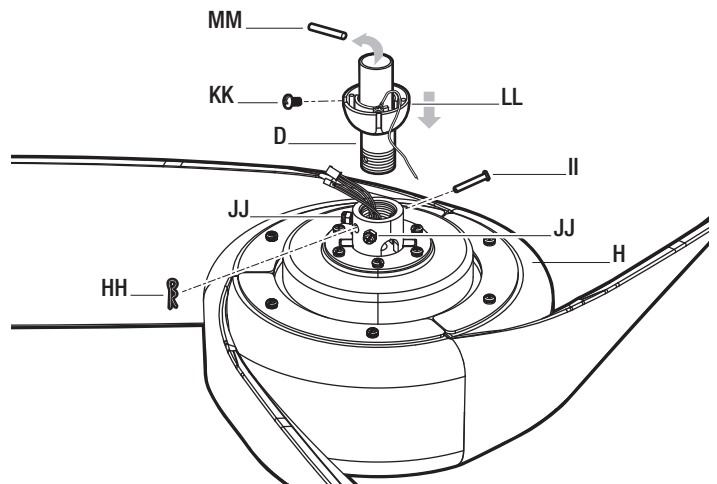
## 2 Preparing the canopy

- Remove the canopy bottom cover (C) from the canopy (B) by turning the canopy bottom cover (C) counterclockwise.
- Remove the mounting bracket (A) from the canopy (B) by removing the non-slotted canopy mounting screw (GG) from the bottom of the canopy (B) and loosening the slotted canopy mounting screw (GG) a half turn from the screw head. Next, turn the canopy (B) counterclockwise to remove the mounting bracket (A) from the canopy (B).



## 3 Preparing the motor

- Remove the cotter pin (HH) and clevis pin (II), and loosen the two collar set screws (JJ) from the motor collar.
- Take out the set screw (KK) located in the hanger ball (LL), lower the hanger ball (LL) and remove the cross pin (MM). Remove the hanger ball (LL) from the hanger ball/downrod assembly (D).



## Assembly (continued)

### 4 Assembling the fan

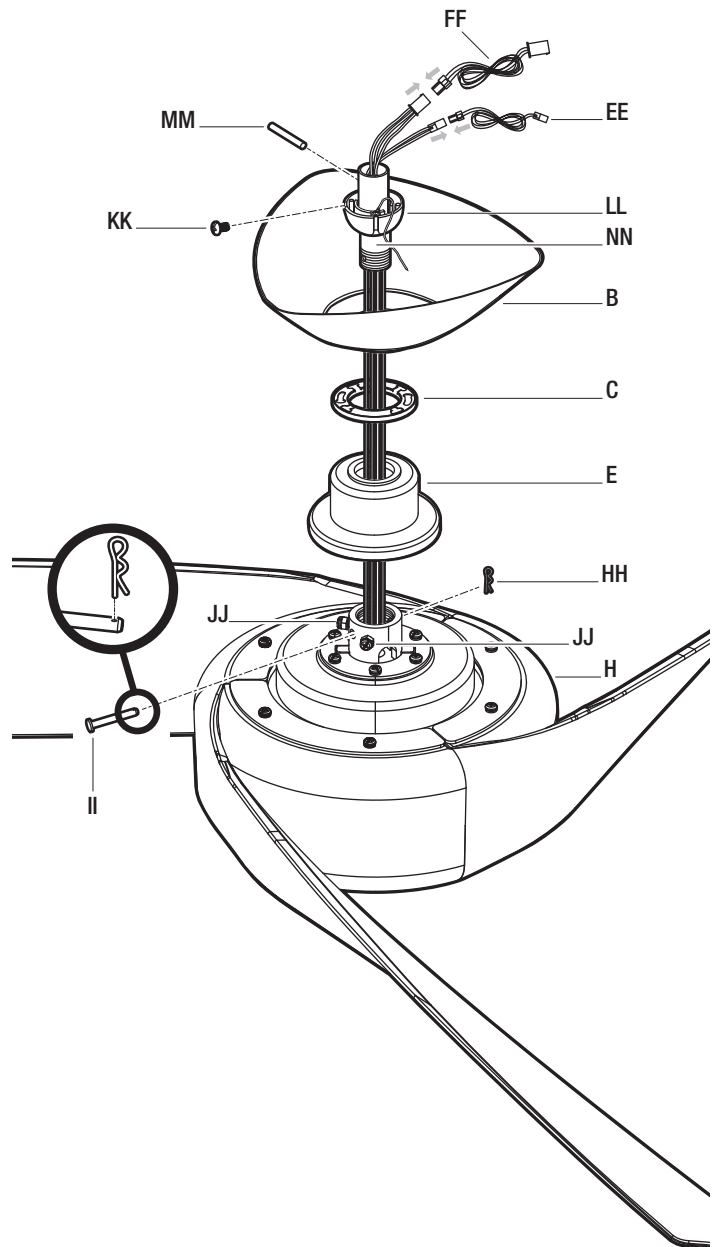


**WARNING:** Failure to properly install the cotter pin (HH) could result in the fan loosening and possibly falling.



**NOTE:** If a longer downrod (not included) is needed, take out the screw located in the hanger ball (LL), lower the hanger ball (LL) and remove the pin (MM). Remove all three pieces from the downrod and assemble them onto the new longer downrod before proceeding to the downrod installation. Be sure to snap together the 2-pin and 3-pin connectors, the two male plugs from the fan and female plugs from the extension cord (EE and FF).

- Carefully feed the motor wires up through the downrod (NN). Thread the downrod (NN) into the collar.
- Align the holes and replace the clevis pin (II) and cotter pin (HH). Tighten the two collar set screws (JJ).
- Slip the coupling cover (E), the canopy bottom cover (C), and the canopy (B) onto the downrod (NN).
- Carefully reinstall the hanger ball (LL) onto the downrod (NN). Being sure that the cross pin (MM) is in the correct position, the set screw (KK) is tightened and wires are not twisted.





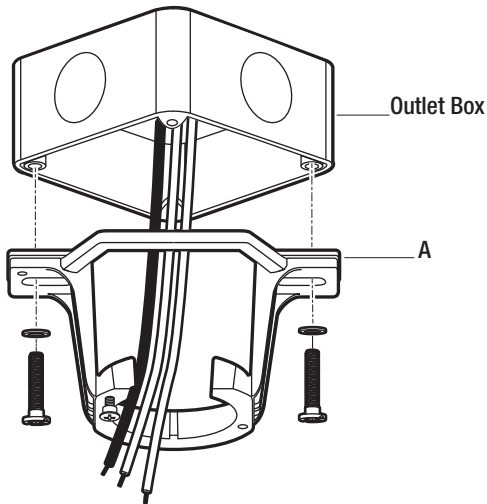
## Assembly – Hanging the Fan

### 5 Attaching the mounting bracket to the electrical box



**WARNING:** To reduce the risk of fire, electric shock or other personal injury, mount the fan only to an outlet box or supporting system marked acceptable for fan support and use the mounting screws provided with the outlet box.

- Pass the 120-volt supply wires through the center hole in the mounting bracket (A).
- Install the mounting bracket (A) to the outlet box with the screws and washers provided with the outlet box.
- Securely tighten the two mounting screws.

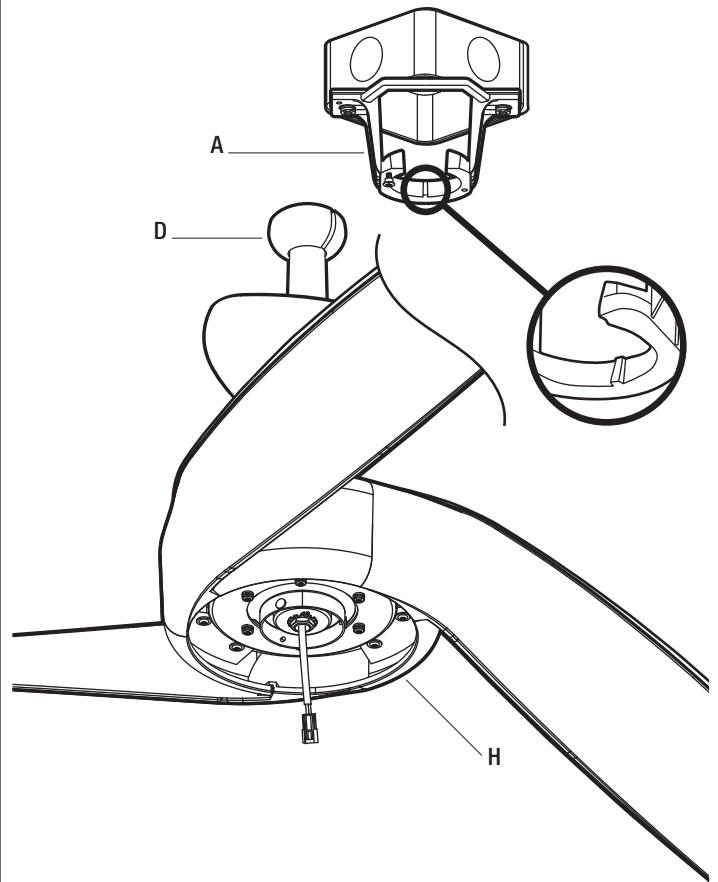


### 6 Hanging the fan on the mounting bracket



**WARNING:** The tab in the ring must rest in the groove of the hanger ball/downrod assembly (D). Failure to properly seat the tab in the groove could cause damage to the wiring.

- Carefully lift the fan motor assembly (H) up to the mounting bracket (A) and seat the hanger ball/downrod assembly (D) in the mounting bracket (A) socket. Make sure the tab on the mounting bracket (A) socket is properly seated in the groove in the hanger ball/downrod assembly (D). This will help to balance the ceiling fan.



# Assembly – Hanging the Fan (continued)

## 7 Making the electrical connections



**WARNING:** Check to see that all connections are tight, including ground, and that no bare wire is visible at the wire nuts (except for the ground wire).



**CAUTION:** To reduce the risk of electric shock, this fan must be installed with an isolating wall control/switch.



**NOTE:** The fan must be installed at a maximum distance of 20 ft. from the remote control for proper signal transmission between the remote control and the fan's receiving unit.

If you feel you do not have enough electrical wiring knowledge or experience, have your fan installed by a licensed electrician.

Follow the steps below to connect the fan to your household wiring. Use the plastic wire nuts (AA) with your fan. Secure the plastic wire nuts (AA) with electrical tape. Make sure there are no loose strands or connections.

- Insert the receiver (K) into the mounting bracket (A) with the flat side of the receiver (K) facing the ceiling.
- Make wire connections from the fan to the receiver (K).

From fan	To receiver
2-pin connector-----	2-pin connector
3-pin connector-----	3-pin connector

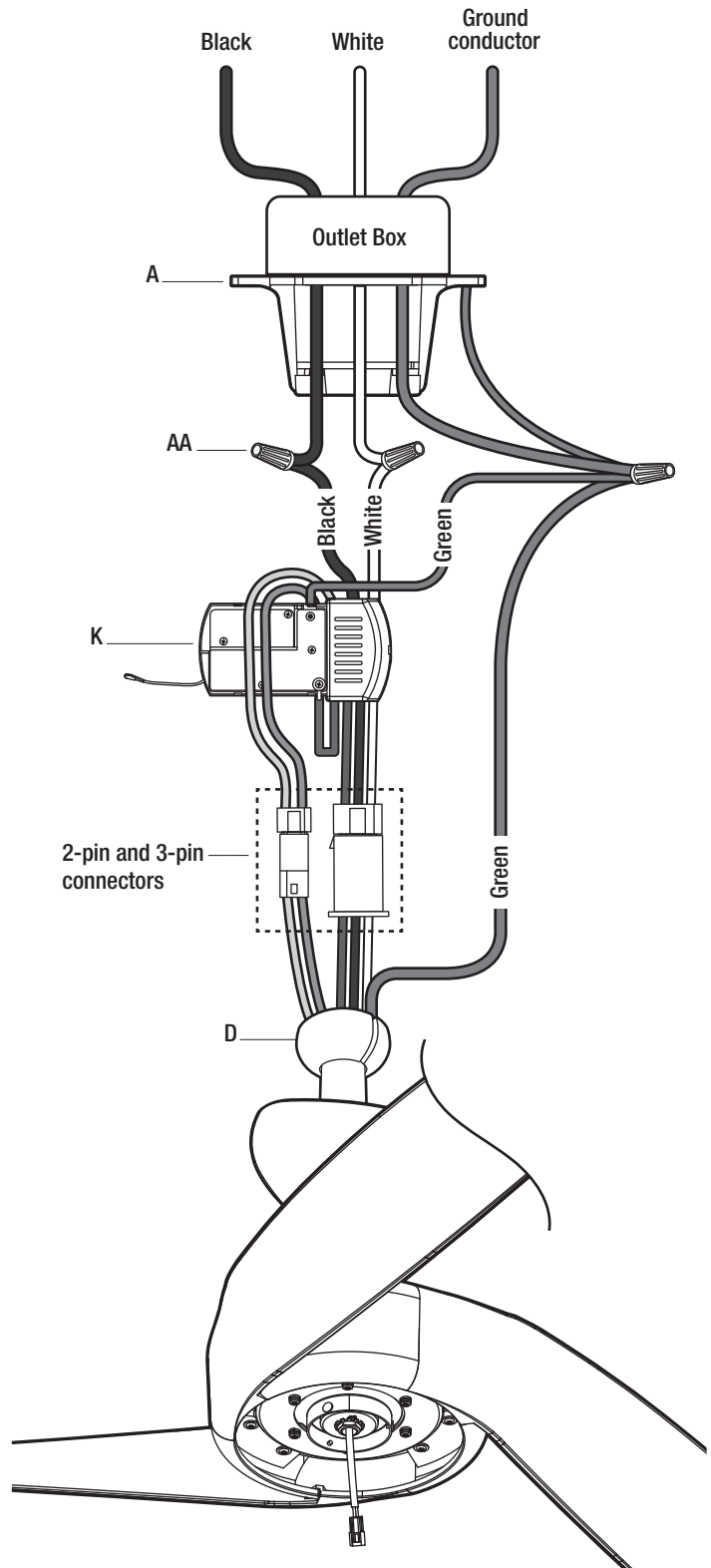
- Make wire connections from the receiver (K) and fan to the outlet box as follows, using the wire nuts (AA).

From receiver	To outlet box
Black wire "AC in L" -----	Black wire (hot)
White wire "AC in N" -----	White wire (neutral)

From fan and receiver	To outlet box
Green wires* -----	Green or bare wire (ground)

\* There are three green grounding leads: one from the mounting bracket (A), one from the hanger ball/downrod assembly (D) and one from the receiver (K).

- Turn the wire nut connections upward, spreading them apart so the green (ground) and white wires will be on one side of the outlet box and the black wire will be on the other side. Carefully tuck the connections up into the outlet box.



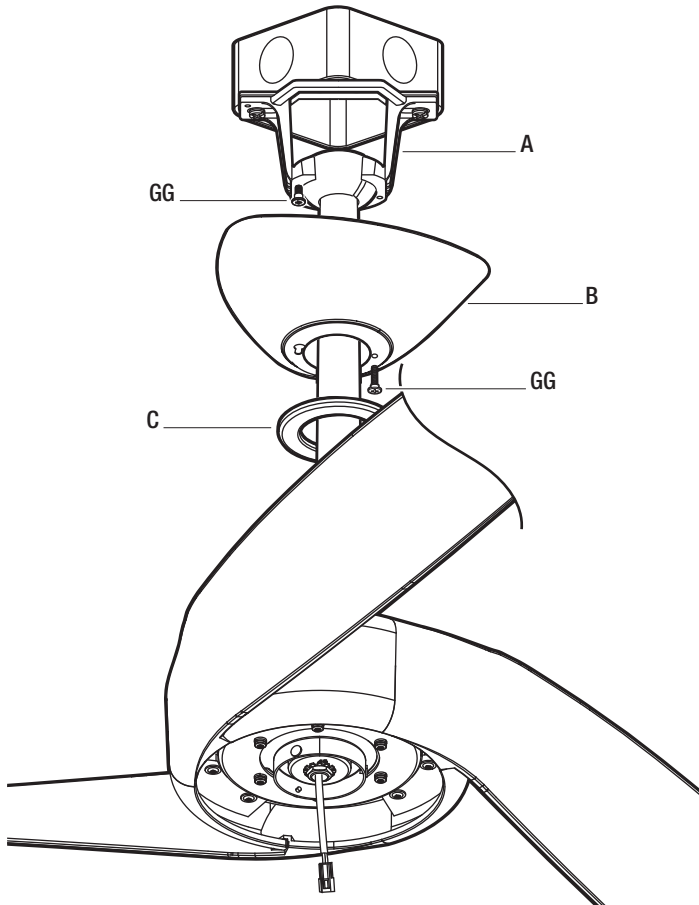
## Assembly – Hanging the Fan (continued)

### 8 Installing the canopy



**WARNING:** Make sure the tab on the mounting bracket (A) properly sits in the groove in the hanger ball/downrod assembly (D) before attaching the canopy (B) to the mounting bracket (A) by turning the canopy until it drops into place.

- Make sure connections are neatly tucked into the ceiling outlet box.
- Slide the canopy (B) up to the mounting bracket (A) and place the key hole on the canopy (B) over the loose canopy mounting screw (GG) on the mounting bracket (A). Turn the canopy (B) clockwise until the canopy (B) locks in place at the narrow section of the key holes.
- Align the circular hole on the canopy (B) with the remaining hole on the mounting bracket (A). Secure by tightening two canopy mounting screws (GG).

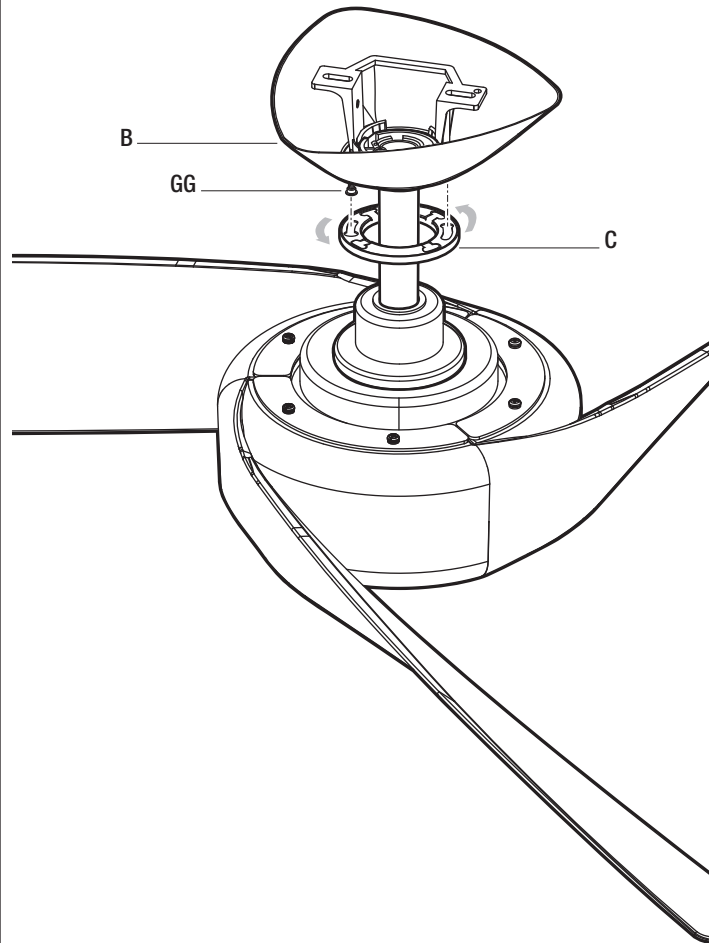


### 9 Attaching the canopy bottom cover



**NOTE:** Adjust the canopy mounting screws (GG) as necessary until the canopy (B) and canopy bottom cover (C) are snug.

- Attach the canopy bottom cover (C) to the canopy (B) by inserting the screw heads into the key slots in the canopy bottom cover (C) and rotating it clockwise.



## Assembly – Installing the Light Kit

### 10 Attaching the LED light kit to the light kit mounting plate

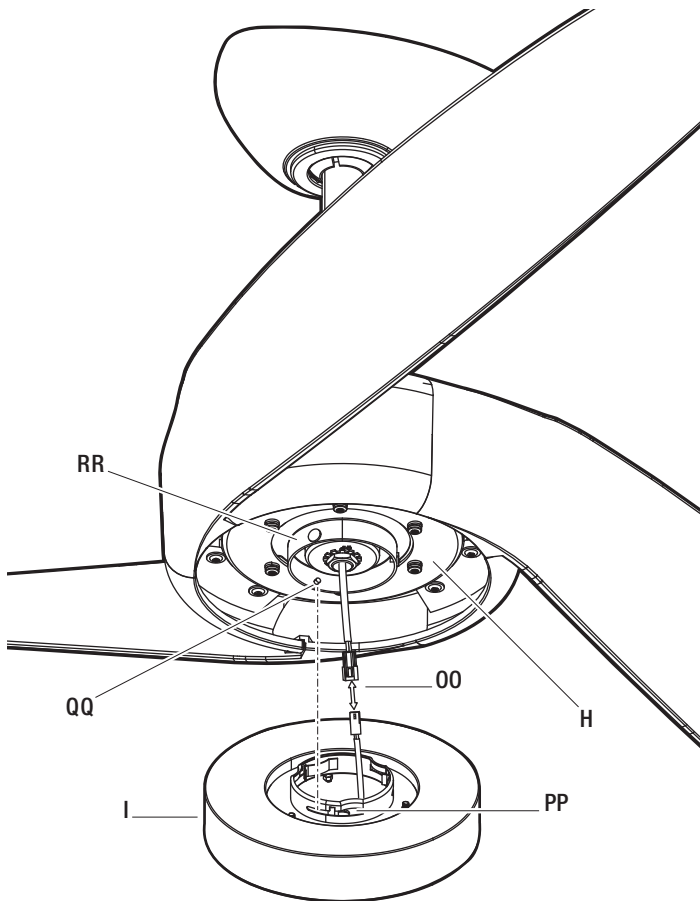


**CAUTION:** Before starting installation, disconnect the power by turning off the circuit breaker or removing the fuse at the fuse box. Turning power off using the fan switch is not sufficient to prevent electric shock.



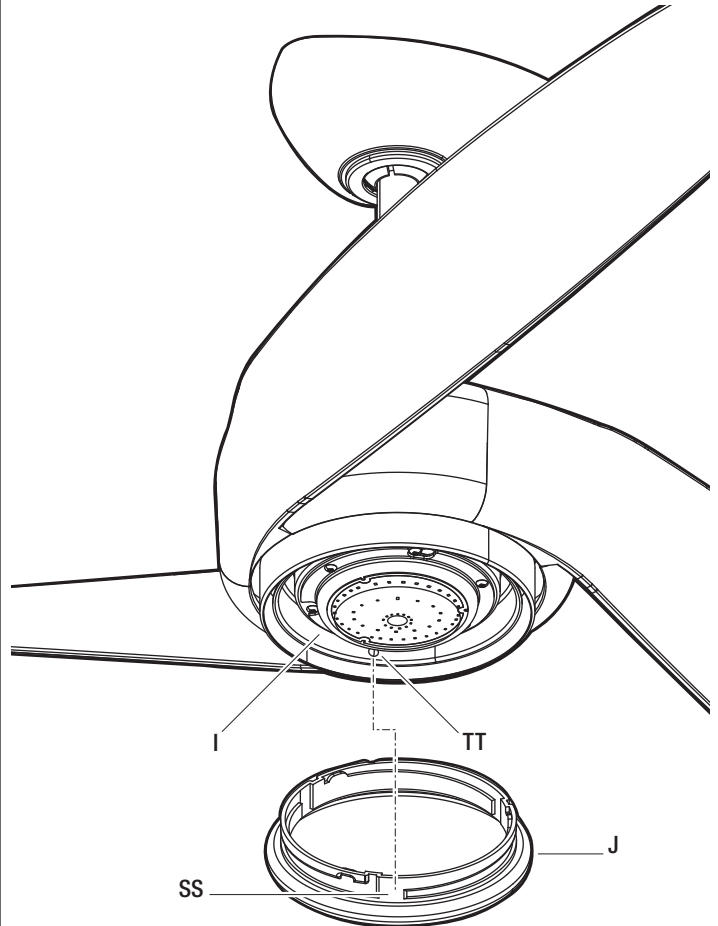
**NOTE:** If the light kit could be wobbled by hand, it means the light kit is not twisted completely till the right position. Keep twisting the light kit till it could not be wobbled by hand.

- While holding the 20W LED light kit (I) under the fan motor assembly (H), snap together the wire connection plugs (OO):
  - White to white
  - Black to black
- Position the notches (PP) in the outer rim of the 20W LED light kit (I) so they line up with the tabs (QQ) on the inside of the rim on the light kit mounting plate (RR). Carefully lift the 20W LED light kit (I) up inside the light kit mounting plate (RR) and secure it to the fan by turning the 20W LED light kit (I) clockwise until snug.



### 11 Installing the glass shade

- Position the notches (SS) in the outer rim of the glass shade (J) so they line up with the tabs (TT) on the inside of the rim on the 20W LED light kit (I). Carefully lift the glass shade (J) up inside the 20W LED light kit (I) and secure it to the fan by turning the glass shade (J) clockwise until snug. **DO NOT OVERTIGHTEN.**



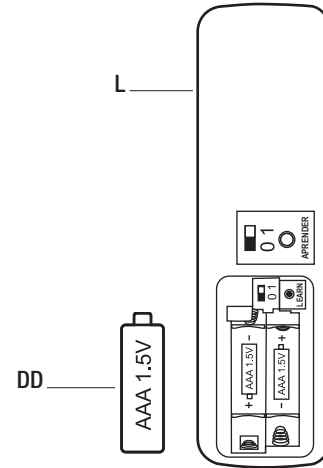
# Operation

## PREPARING THE TRANSMITTER



**NOTE:** Batteries will weaken with age and should be replaced before leaking takes place as this will damage the remote control. Dispose of used batteries properly and keep them out of the reach of children.

- ❑ Remove the battery cover by pressing firmly on the arrow and sliding the cover off.
- ❑ Install two 1.5V AAA batteries (DD) (included).
- ❑ Replace the battery cover on the remote control (L).



## LEARNING PROCESS



**NOTE:** The dip switch in the battery compartment has been set on "0" position and paired for your convenience. If you have two or more fans, please follow steps below to control each fan independently.

The learning process causes any installed fan within range to memorize a remote control. Fans can learn five remotes.

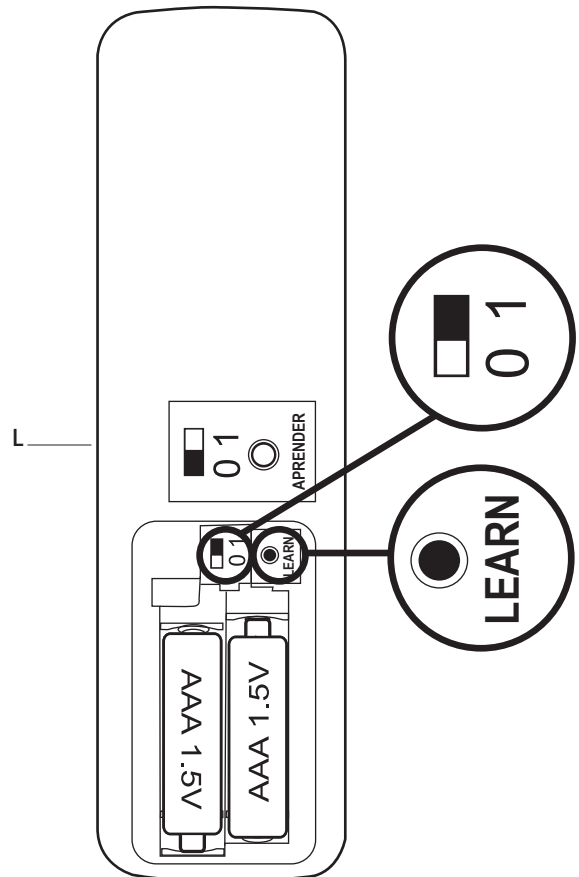
To add a remote to your fan's memory, use the steps below:

- ❑ Ensure AC power to the fan is OFF to begin the learning process.
- ❑ Slide the dip switch in the battery compartment to the "1" position.
- ❑ Turn the fan's AC power ON.



**NOTE:** If installing multiple fans on separate remotes, only the fan being programmed should have AC power turned ON. All other fans, even if they have already been programmed, should have AC power OFF so they do not memorize other remotes during the learning process. Separate the fan power switches by approximately 2 meters.

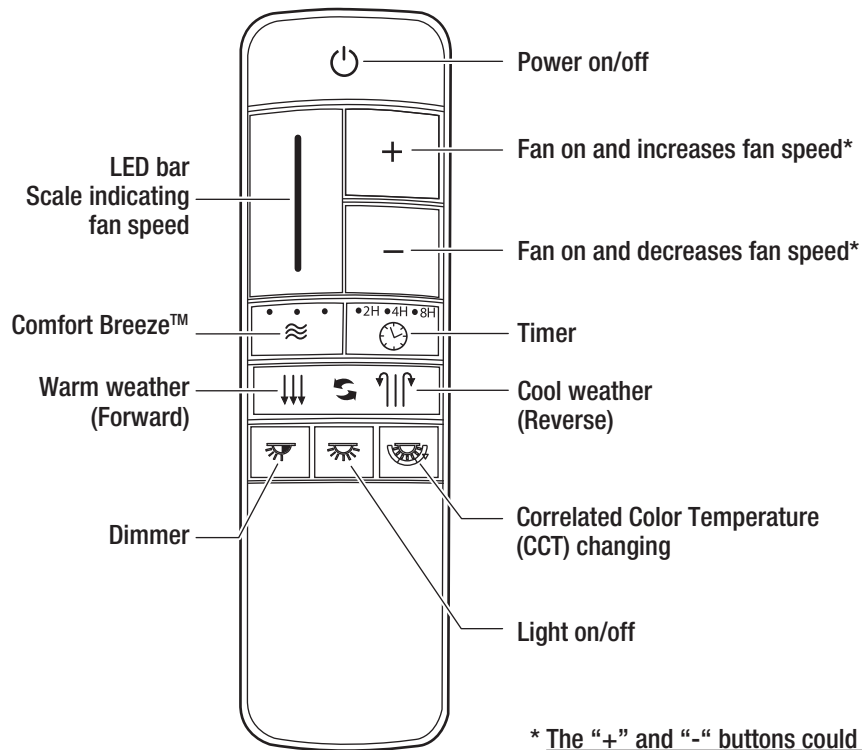
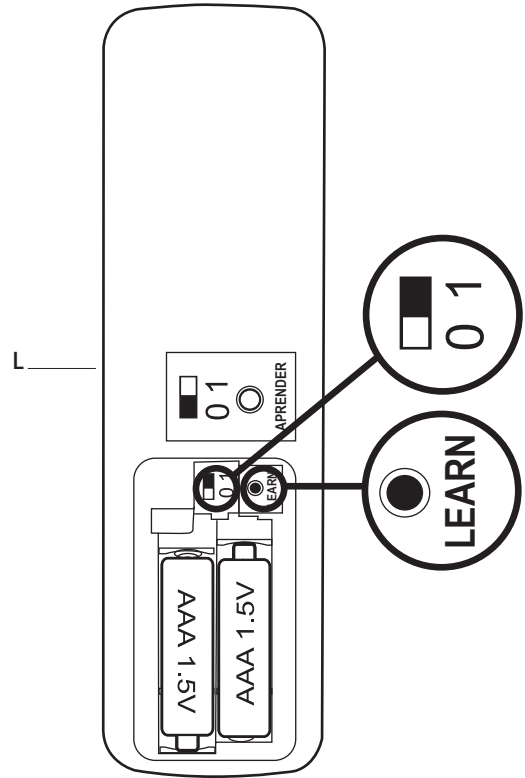
- ❑ Within 60 seconds of turning AC power on, press and release the "LEARN" button located in the remote's battery compartment to enter the learning function. Once the fan has detected the remote controls's frequency, the down light of your fan, if applicable, will blink, and the fan blades will start to spin.
- ❑ The fan will now accept commands from the added remote.



# Operation (continued)

To clear all other remotes from your fan's memory, use the steps below:

- Ensure AC power to the fan is OFF to begin the learning process.
- Slide the dip switch in the battery compartment to the "0" position.
- Turn the fan's AC power ON.
- Within 60 seconds of turning AC power ON, press and release the "LEARN" button located in the remote's battery compartment, and your fan will restore to the original setting and dismiss the other remotes.



\* The "+" and "-" buttons could activate the fan and light when the fan and light are both off.

# Operation (continued)

## OPERATING YOUR FAN AND REMOTE CONTROL





**NOTE:** The fan will store the last used speed setting for the next time it is turned on.



**NOTE:** You must turn the fan on prior to using the speed or time functions.



**NOTE:** On each start up of your ceiling fan, the fan blades will oscillate back and forth. This is a NORMAL OPERATION for DC motor ceiling fans as they go through a calibration cycle. The fan is NOT DEFECTIVE.

**1. Fan  button** - Press and release the  button to turn the fan on or off.

- When turned on, the fan will begin spinning using its last speed settings. The remote control's LED bar will display the speed setting for 5 seconds.
- When turned off, the fan will stop spinning and the light from the remote control's LED bar will quickly darken from top to bottom.

### 2. Speed functions

**+ button, increases the fan speed**

- Pressing and releasing the + button one time will increase the speed of the fan. Each setting increase will cause the LED bar to illuminate slightly more, until the fan has reached the maximum speed setting, at that time the LED bar will be fully illuminated.
- Pressing and holding the + button will increase the fan speed automatically through the speed settings and the increments will be denoted on the LED bar. When the LED bar is fully illuminated, the fan has reached maximum speed setting.
- Pressing the + button while in Comfort Breeze™ mode will automatically cancel the Comfort Breeze™ mode and resume normal fan operation.


**- button, decreases fan speed**

- Pressing and releasing the - button one time will decrease the speed of the fan. Each setting decrease will cause the LED bar to dim slightly more, until the fan has reached the minimum speed setting. At that time the LED bar will be approximately 25% illuminated.
- Pressing and holding the - button will decrease the fan speed automatically through the speed settings and the reductions will be denoted on the LED bar. When the LED bar is 25% illuminated, the fan has reached the minimum speed setting.
- Pressing the - button while in Comfort Breeze™ mode will automatically cancel the Comfort Breeze™ mode and resume normal fan operation.

### 3. Comfort Breeze™



**NOTE:** If you are using Comfort Breeze™ mode, pressing the  button or the fan speed buttons will cancel Comfort Breeze™ mode and resume normal fan operation.

There are three Comfort Breeze™ settings. Pressing the  button will activate the Comfort Breeze™ mode and the LED bar will illuminate slowly from bottom to top to display the current setting.

- Setting 1: Alternates through speeds 1 – 3, the LED bar should fill approximately 33%.
- Setting 2: Alternates through speeds 4 – 6, the LED bar should fill approximately 66%.
- Setting 3: Alternates through speeds 7 – 9, the LED bar should be fully illuminated.



## Operation (continued)

### 4. Timer 🕒

- Pressing the timer button will automatically turn fan and light (if light is on) off after 2, 4, or 8 hours. When you activate the timer mode, the LED to the left of the time above the clock will illuminate.



### 5. Fan reverse button (Must be pushed when the fan is in operation)

- Warm weather: ⏴ LED bar will illuminate and the lights will flow from high to low.
- Cool weather: ⏵ LED bar will illuminate and the lights will flow from low to high.

### 6. Light 🌞

- Press and release the light button to turn the light on or off.
- Light on: The fan memory function will resume the light setting (on or off and dim) on the fan prior to the power being turned off.

### 7. Dimmer 🌙

- Press and release the light button to turn the light on or off.

### 8. 🌈 Correlated Color Temperature (CCT) changing

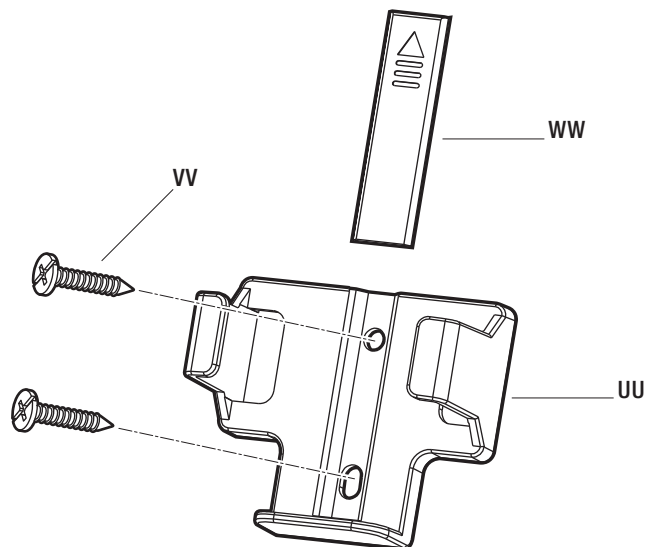


**NOTE:** The default temperature of the ceiling fan light is 3000K (Soft White).

- Push and release the button to cycle through the three color temperature options.  
Option 1: 3000K (Soft White).  
Option 2: 4000K (Bright White).  
Option 3: 5000K (Daylight).

## INSTALLING THE REMOTE CONTROL HOLDER

- Attach the remote control holder (UU) with the two remote control holder mounting screws (VV).
- Replace the remote control holder cover (WW) into the remote control holder (UU).





## Operation (continued)

### WARM/COOL WEATHER OPERATING INSTRUCTIONS

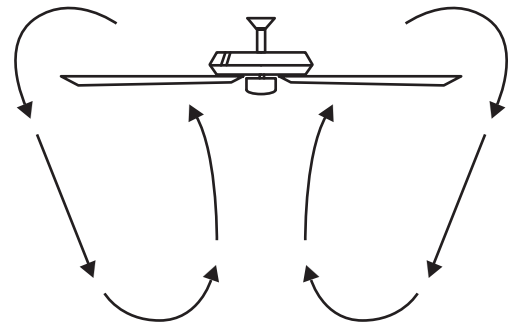
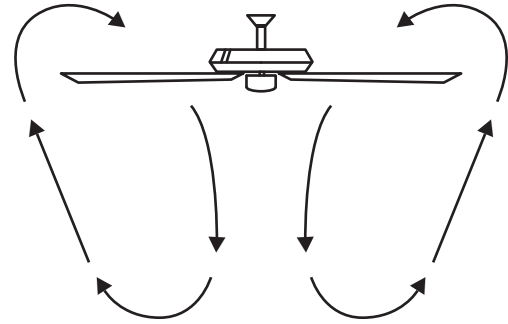
Speed settings for warm or cool weather depend on factors such as the room size, ceiling height, numbers of fans.



**NOTE:** The fan reverse buttons must be pressed while the fan is running.

**Warm weather - (Counterclockwise Direction)** A downward air flow creates a cooling effect. This allows you to set your air conditioner on a warmer setting without affecting your comfort.

**Cool weather - (Clockwise Direction)** An upward air flow moves warm air off the ceiling. This allows you to set your heating unit on a cooler setting without affecting your comfort.



## Care and Cleaning

### Do

- Check the support connections, brackets, and blade attachments twice a year. Make sure they are secure. Because of the fan's natural movement, some connections may become loose over time. It is not necessary to remove the fan from the ceiling.
- Clean your fan periodically. Use only a soft brush or lint-free cloth to avoid scratching the finish. The plating is sealed with a lacquer to minimize discoloration or tarnishing.
- (Optional) Apply a light coat of furniture polish to the wood blades.
- (Optional) Cover small scratches with a light application of shoe polish.

### Do not

- Use water when cleaning. Water could damage the motor, or the wood, or possibly cause an electrical shock.
- Apply oil to your fan or motor. The motor has permanently-lubricated sealed ball bearings.

## Troubleshooting

Problem	Solution
The fan will not start.	<ul style="list-style-type: none"> <li>□ Check the main and branch circuit fuses or breakers.</li> <li>□ Check the line wire connections to the fan and switch wire connections in the switch housing.</li> <li>□ Check to make sure the frequency switches from the remote control and receiver are set to the same frequency.</li> <li>□ Turn the AC power off, and turn the AC power on after 10 seconds.</li> <li>□ Reset the transmitter by going through the transmitter "LEARNING PROCESS".</li> </ul>
The fan sounds noisy.	<ul style="list-style-type: none"> <li>□ Make sure all motor housing screws are snug.</li> <li>□ Make sure the screws that attach the fan blade to the motor hub are tight.</li> <li>□ Make sure the wire nut connections are not rattling against each other or the interior wall of the switch housing.</li> <li>□ Allow a 24-hour "breaking-in" period. Most noises associated with a new fan disappear during this time.</li> <li>□ If using the ceiling light kit, make sure the glassware is secured tightly.</li> <li>□ Make sure there is a short distance from the ceiling to the canopy. It should not touch the ceiling.</li> <li>□ Make sure your ceiling box is secure and that rubber isolator pads are used between the mounting bracket and outlet box.</li> </ul>
The remote control is not working.	<ul style="list-style-type: none"> <li>□ Do not connect the fan with wall mounted variable speed control(s).</li> <li>□ Make sure the frequency switches are set correctly.</li> <li>□ Reset the transmitter by going through the transmitter "LEARNING PROCESS".</li> </ul>
The fan wobbles.	<ul style="list-style-type: none"> <li>□ Verify that all blades and blade bracket screws are secure (most fan wobble problems are caused by loose parts). Once the fan is properly installed, run the ceiling fan for 10 minutes to let the fan self-adjust.</li> </ul> <p>If wobble occurs after running the fan for 10 minutes, verify blade level using the following process:</p> <ul style="list-style-type: none"> <li>□ Select a point on the ceiling above the tip of one of the blades, then select any fan blade and measure from the center of the selected blade to the point on the ceiling. Rotate the fan until the next blade is positioned and repeat the measurement using the same point from the ceiling for every blade. Measurement deviations should be within 1/8 in.</li> <li>□ If all deviations are less than 1/8 in. and the fan continues to wobble, please call Customer Service (1-855-HD-HAMPTON) to order a complimentary blade balancing kit.</li> <li>□ If deviation is greater than 1/8 in., please call Customer Service (1-855-HD-HAMPTON) to order complimentary replacements of your brackets.</li> </ul>
Fan moves backwards and forwards when turned on.	<ul style="list-style-type: none"> <li>□ This is normal start-up procedure for DC motor fans. The partial movement during start-up is the result of the DC motor aligning the internal magnetic poles for proper motor operation. This design saves electricity and allows the fan to operate much quieter than standard AC motor fans.</li> </ul>

This device complies with part 15 of the FCC Rules. Operation is subject to the following two conditions: (1) This device may not cause harmful interference, and (2) this device must accept any interference received, including interference that may cause undesired operation.

**WARNING:** Changes or modifications to this unit not expressly approved by the party responsible for compliance could void the user's authority to operate the equipment.

**NOTE:** This equipment has been tested and found to comply with the limits for a Class B digital device, pursuant to Part 15 of the FCC Rules. These limits are designed to provide reasonable protection against harmful interference in a residential installation. This equipment generates, uses and can radiate radio frequency energy and, if not installed and used in accordance with the instructions, may cause harmful interference to radio communications.

However, there is no guarantee that interference will not occur in a particular installation. If this equipment does cause harmful interference to radio or television reception, which can be determined by turning the equipment off and on, the user is encouraged to try to correct the interference by one or more of the following measures:

- Reorient or relocate the receiving antenna.
- Increase the separation between the equipment and receiver.
- Connect the equipment into an outlet on a circuit different from that to which the receiver is connected.
- Consult the dealer or an experienced radio/TV technician for help.

# HAMPTON BAY®

Questions, problems, missing parts? Before returning to the store,  
call Hampton Bay Customer Service  
8 a.m. – 7 p.m., EST, Monday – Friday, 9 a.m. – 6 p.m., EST, Saturday

**1-855-HD-HAMPTON**

**HAMPTONBAY.COM**

Retain this manual for future use.