

**IMPORTER:**

SERVICIOS HOME DEPOT, S.A.DE C.V.

RICARDO MARGAIN ZOZAYA 555 EDIF.A

FRACC.PARQUE CORPORATIVO SANTA ENGRACIA

SAN PEDRO GARZA GARCIA, N.L.,C.P.66267

R.F.C.:SHD-940509-I58,TEL.81 55 70 00

Safety Rules..... 1.

Unpacking Your Fan ..... 2.

Installing Your Fan ..... 3.

Installing the Light Kit..... 8.

Operating Your Fan..... 9.

Care of Your Fan ..... 10.

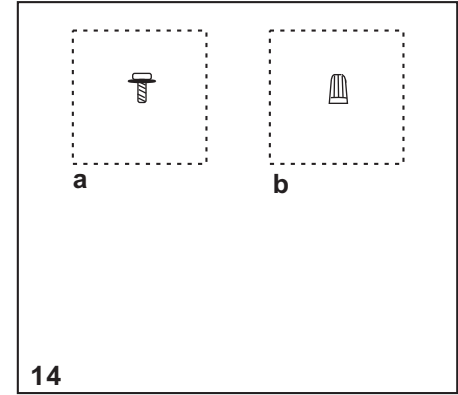
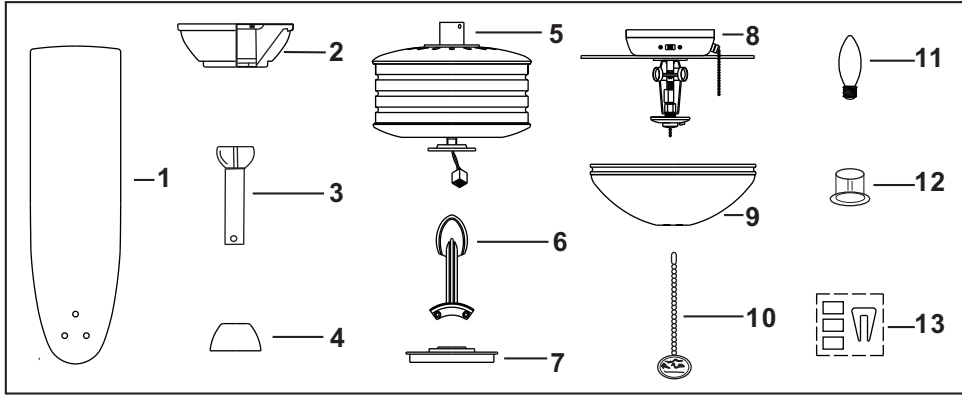
Troubleshooting ..... 11.

Specifications ..... 12.

*Table of Contents*

1. To reduce the risk of electric shock, insure electricity has been turned off at the circuit breaker or fuse box before beginning.
  2. All wiring must be in accordance with the National Electrical Code and local electrical codes. Electrical installation should be performed by a qualified licensed electrician.
  3. **WARNING:** To reduce the risk of electrical shock and fire, do not use this fan with any solid-state fan speed control device.
  4. **WARNING:** To reduce the risk of personal injury, use only the two steel screws (and lock washers) provided with the outlet box for mounting to the outlet box. Most outlet boxes commonly used for the support of lighting fixtures are not acceptable for fan support and may need to be replaced, consult a qualified electrician if in doubt.
- WARNING**  
TO REDUCE THE RISK OF FIRE, ELECTRIC SHOCK OR PERSONAL INJURY, MOUNT FAN TO OUTLET BOX MARKED ACCEPTABLE FOR FAN SUPPORT.
5. The outlet box and support structure must be securely mounted and capable of reliably supporting a minimum of 50 pounds. Use only **NOM** Listed outlet boxes marked **FOR FAN SUPPORT**.
  6. The fan must be mounted with a minimum of 7 feet clearance from the trailing edge of the blades to the floor.
  7. Do not operate the reverse switch while the fan blades are in motion. The fan must be turned off and the blades stopped before reversing the blades direction.
8. Avoid placing objects in the path of the blades.
  9. To avoid personal injury or damage to the fan and other items, be cautious when working around or cleaning the fan.
  10. Do not use water or detergents when cleaning the fan or fan blades. A dry dust cloth or lightly dampened cloth will be suitable for most cleaning.
  11. After making electrical connections, spliced conductors should be turned upward and pushed carefully up into the outlet box. The wires should be spread apart with the grounded conductor and the equipment-grounding conductor on one side of the outlet box.
  12. Electrical diagrams are for reference only. Light kits that are not packed with the fan must be **NOM** Listed and marked suitable for use with the model fan you are installing. Switches must be **NOM** General Use Switches. Refer to the Instructions packaged with the light kits and switches for proper assembly.
- WARNING**  
TO REDUCE THE RISK OF PERSONAL INJURY, DO NOT BEND THE BLADE ARMS (ALSO REFERRED TO AS BRACKETS) DURING ASSEMBLY OR AFTER INSTALLATION. DO NOT INSERT OBJECTS IN THE PATH OF THE BLADES.
- NOTE**  
READ AND SAVE ALL INSTRUCTIONS!

# *1. Safety Rules*



Unpack your fan and check the contents. You should have the following items;

- |                          |                                  |                                 |
|--------------------------|----------------------------------|---------------------------------|
| 1. Fan blades (5)        | 7. Mounting plate                | 14. Loose parts bag containing: |
| 2. Canopy assembly       | 8. Light kit                     | a. Blade attachment hardware    |
| 3. Ball/downrod assembly | 9. Glass shade                   | (16 screws with fiber washers)  |
| 4. Coupling cover        | 10. Pull chain and fobs (2)      | b. Mounting hardware            |
| 5. Fan motor assembly    | 11. 40 Watt candelabra bulbs (3) | (3 plastic wire connectors)     |
| 6. Blade arms (5)        | 12. Extra plastic plug           |                                 |
|                          | 13. Balancing kit                |                                 |

**WARNING**  
DO NOT INSTALL OR USE FAN  
IF ANY PART IS DAMAGED OR MISSING.  
CALL TOLL FREE 1-877-902-5588.

*Unpacking Your Fan 2.*

## Tools Required

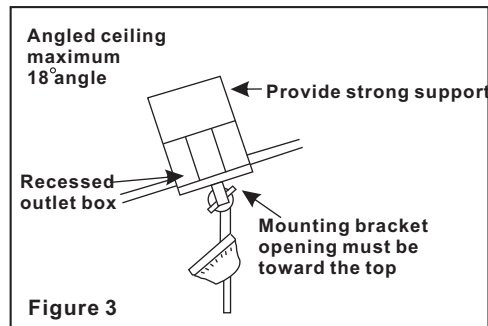
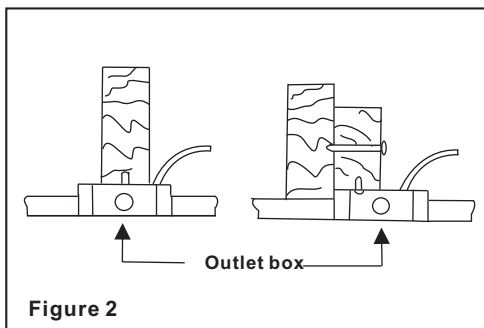
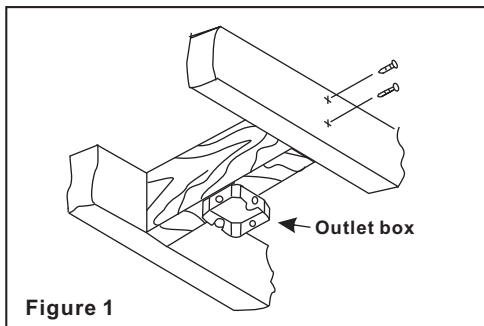
Phillips screwdriver, straight slot screwdriver, adjustable wrench, step ladder, and wire cutters.

## Mounting Options

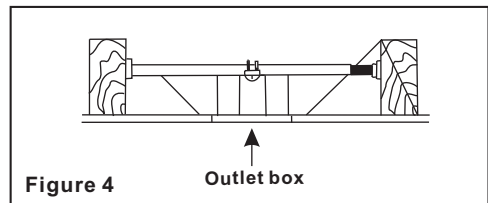
If there isn't an existing **NOM** listed mounting box, then read the following instructions. Disconnect the power by removing fuses or turning off circuit breakers.

Secure the outlet box directly to the building structure. Use appropriate fasteners and building materials. The outlet box and its support must be able to fully support the moving weight of the fan (at least 50 lbs). Do not use plastic outlet boxes.

Figures 1,2 and 3 are examples of different ways to mount the outlet box.



**Note:** You may need a longer downrod to maintain proper blade clearance when installing on a steep, sloped ceiling.



To hang your fan where there is an existing fixture but no ceiling joist, you may need an installation hanger bar.(Fig.4) (available at any Home Depot store).

# 3. Installing Your Fan

# Hanging the Fan

**REMEMBER** to turn off the power. Follow the steps below to hang your fan properly:

**Step 1.** Remove the decorative canopy bottom cover from the canopy by turning the cover counter clockwise.(Fig. 5)

**Step 2.** Remove the hanger bracket from the canopy by loosening the two screws on the bottom of the hanging bracket a half turn from the screw head and turning the canopy counter clockwise.(Fig. 5)

**Step 3.** Secure the hanger bracket to the ceiling outlet box with the screws and washers provided with your outlet box.

**Step 4.** Pass the 120-volt supply wires through the center hole in the ceiling hanger bracket.(Fig. 6)

**Step 5.** Remove the hanger pin, lock pin and set screws from the top of the motor assembly.

**NOTE:** If a longer downrod is needed, take out the screw located in the hanger ball, lower the hanger ball and remove the pin, remove all 3 pieces from the downrod and assemble them onto the new longer downrod before proceeding step 6. (The longer downrod is available at any Home Depot store)

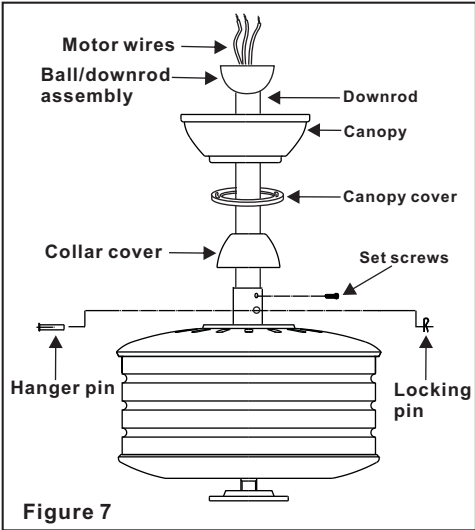
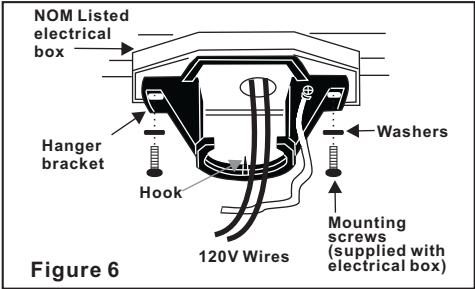
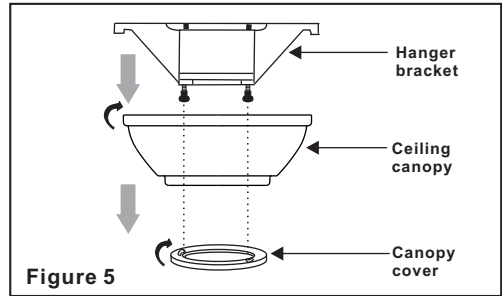
**Step 6.** Route wires exiting from the top of the fan motor through the collar cover, canopy cover, canopy and then through the

**Step 7.** Align the holes at the bottom of the downrod with the holes in the collar on top of the motor housing (Fig. 7). Carefully insert the hanger pin through the holes in the collar and downrod. Be careful not to jam the pin against the wiring inside the downrod. Insert the locking pin through the hole near the end of the hanger pin until it snaps into its locked position, as noted in the circle inset of Fig. 7.

**WARNING**  
FAILURE TO PROPERLY INSTALL LOCKING PIN AS NOTED IN STEP 7 COULD RESULT IN FAN LOOSENING AND POSSIBLY FALLING.

**Step 8.** Tighten two set screws on top of the fan motor firmly. (Fig. 7)

**Step 9.** Place the downrod ball into the hanger bracket socket. Rotate the downrod ball until the groove of the downrod ball lines up with the hook of the hanger bracket. (This will help balance the fan.)



## Making the Electrical Connections

**Remember** to disconnect the power.

Follow the steps below to connect the fan to your household wiring. Use the wire connecting nuts supplied with your fan. Secure the connectors with electrical tape. Make sure there are no loose strands or connections.

**Step 1** Connect the fan supply (black) wire and light supply (blue) wire to the black household supply wire.(Fig. 8)

**Step 2.** Connect the neutral fan (white) wire to the white neutral household wire.

**Step 3** Connect the fan ground wire (green) to the household ground wire.

**Step 4** After connecting the wires, spread them apart so that the green and white wires are on one side of the outlet box and the black and the blue wires are on the other side.

**Step 5** Turn the connecting nuts upward and push the wiring into the outlet box.

**WARNING**  
TO REDUCE THE RISK OF FIRE, ELECTRIC SHOCK, OR OTHER PERSONAL INJURY, MOUNT FAN ONLY ON AN OUTLET BOX OR SUPPORTING SYSTEM MARKED ACCEPTABLE FOR FAN SUPPORT.  
TO REDUCE THE RISK OF FIRE OR ELECTRIC SHOCK, DO NOT USE THIS FAN WITH ANY SOLID-STATE SPEED VARIABLE CONTROL DEVICE.

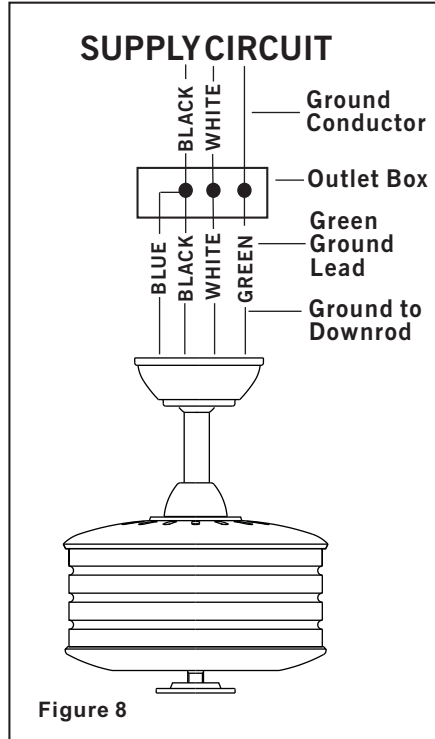


Figure 8

## Finishing the Installation

**Step 1.** Tuck connections neatly into ceiling outlet box.

**Step 2.** Slide the canopy up to ceiling and over the 2 screws on the hanger bracket. Rotate canopy clockwise. Next, while holding the canopy with one hand, slide the canopy cover over the screws and rotate clockwise until tight. **Note:** adjust the canopy screws as necessary until the canopy and canopy cover are snug. (Fig. 9)

### WARNING

Make sure the hook on the hanging bracket properly sits in the groove in the hanger ball before attaching the canopy to the bracket by turning the housing until it drops into place.

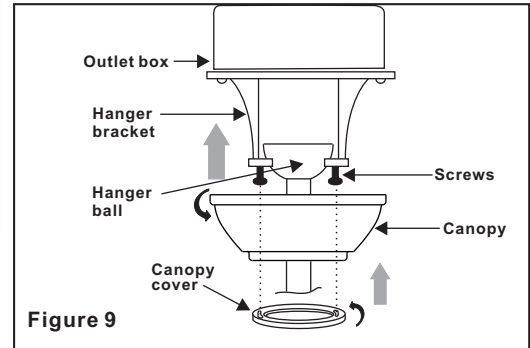


Figure 9

# Attaching the Fan Blades

**CAUTION:** Remove 5 rubber packing mounts from fan motor assembly and discard before installation. (Fig. 10)

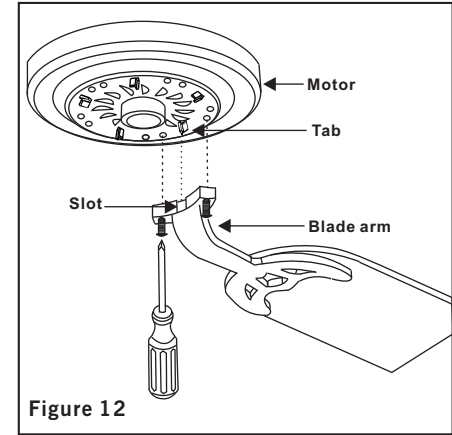
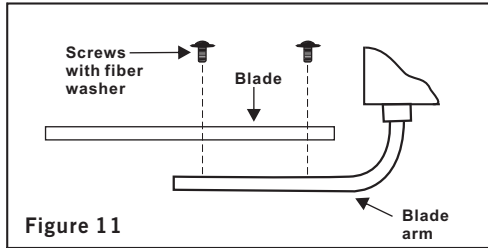
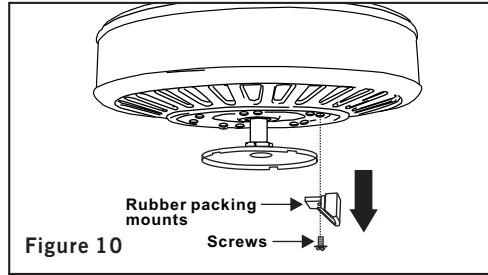
**Step 1** Attach blades to blade arms using three screws with fiber washers. (Fig. 11) Start a screw into the blade arm, do not tighten. Repeat for the 2 remaining screws and washers.

**Step 2** Tighten each screw securely starting with the center screw. Make sure the blade is straight. Repeat steps for the remaining blades.

**Step 3** Fasten the blade assemblies to the motor housing by lining up the slots of the blade arms with the tabs on the motor housing, then tighten the two screws and washers already installed in the blade arms. (Fig. 12)

## WARNING

TO REDUCE THE RISK OF PERSONAL INJURY, DO NOT BEND THE BLADE ARMS WHILE INSTALLING, BALANCING THE BLADES, OR CLEANING THE FAN. DO NOT INSERT FOREIGN OBJECTS BETWEEN ROTATING FAN BLADES.

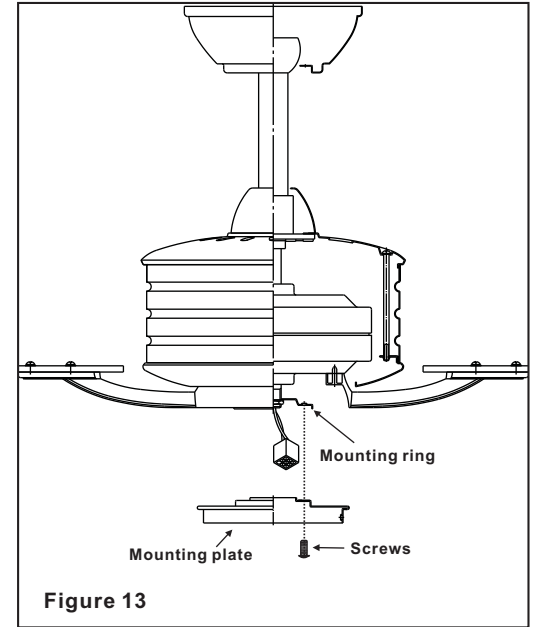




## Installing the Mounting Plate

**Step 1.** Remove 1 of the 3 screws from the mounting ring and loosen the other 2 screws. (Do not remove)

**Step 2.** Place the key holes on the mounting plate over the 2 screws previously loosened from the mounting ring, turn mounting plate until it locks in place at the narrow section of the key holes. Secure by tightening the 2 screws previously loosened and the one previously removed. (Fig. 13)



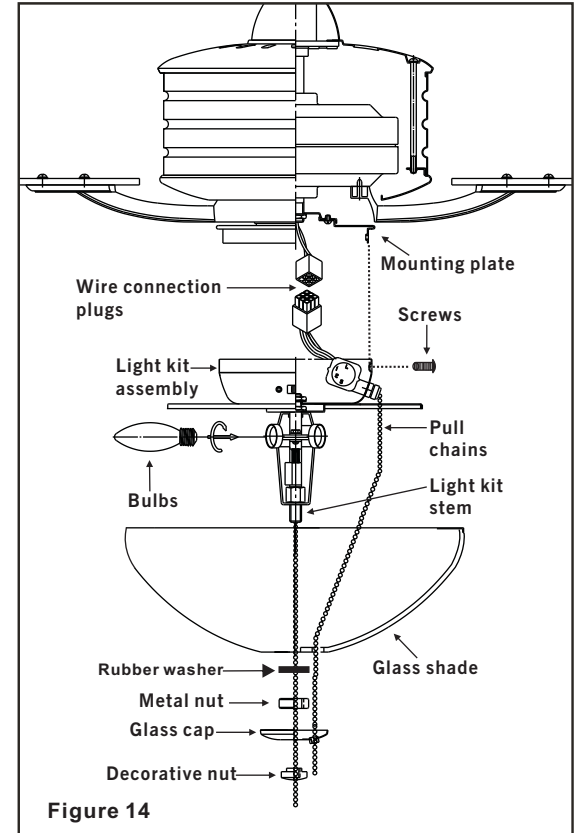
**NOTE:** Before starting installation, disconnect the power by turning off the circuit breaker or removing the fuse at fuse box.

**Turning power off using the fan switch is not sufficient to prevent electric shock.**

1. While holding the light kit assembly under your fan, snap together the wire connection plugs. (Fig. 14)
2. Carefully push all wires back into the switch housing, then install the light kit assembly onto the mounting plate with 3 screws provided. Be sure to tighten all screws. (Fig. 14)
3. Install 3 x 40W candelabra bulbs (included).
4. Remove the rubber washer, metal nut, glass cap and decorative nut from the light kit. Place glass shade over the light kit stem, secure with the rubber washer, metal nut, glass cap and decorative nut. Do not overtighten. (Fig. 14)
5. Insert the 2 pull chain through the eyelet in the shade and cap. Secure the glass cap and decorative nut provided. (Fig. 14)
6. Restore power and your light kit is ready for operation.

**Note:** Make sure to leave enough space between the fan pull chain and the bulbs so the chain doesn't rub against any of the bulbs.

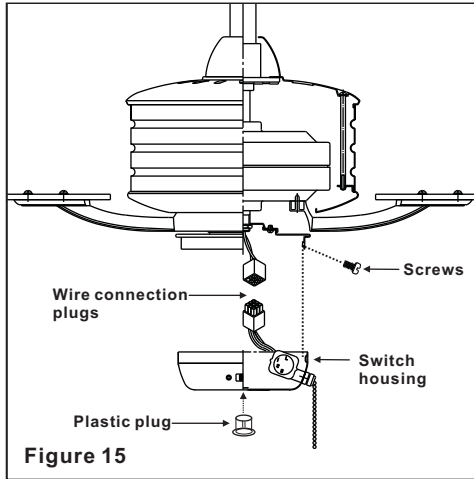
**NOTE:** Light bulbs have no warranty; can be purchased at any Home Depot store.



*Installing the Light Kit 8.*

## Fan without Light Kit (Optional)

1. Disassemble the switch housing from the light kit , you can keep the light kit for future use.
2. Attach the plastic plug to the switch housing. (Fig. 15)
3. Holding the switch housing under your fan, snap together the wire connection plugs.
4. Install the switch housing to the mounting plate with screws provided. (Fig. 15)



**NOTE**  
**WAIT FOR FAN TO STOP BEFORE**  
**CHANGING THE SETTING OF THE SLIDE**  
**SWITCH.**

Turn on the power and check the operation of your fan. There are two pull chains available in your fan:

1. 3-speed pull chain- it controls the fan speed as follows: 1 pull- High, 2 pulls- Medium, 3 pulls- Low, and 4 pulls- Off.

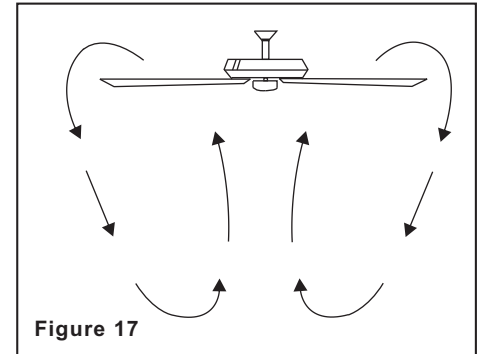
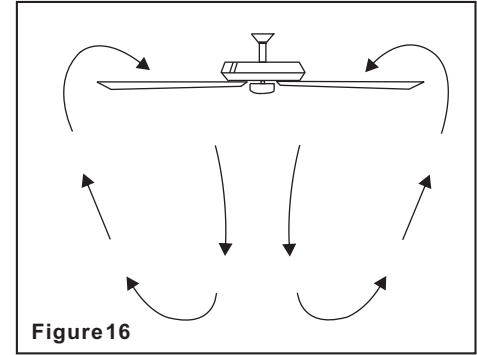
Speed settings for warm or cool weather depend on factors such as the room size, ceiling height, number of fans, and so on.

2. Light kit pull chain- it controls the light kit in "ON" or "OFF".

The slide switch controls directions: forward (switch left ) or reverse (switch right ).

Warm weather - (Counter-Clockwise direction) A downward air flow creates a cooling effect.(Fig. 16) This allows you to set your air conditioner on a higher setting without affecting your comfort.

Cool weather- (Clockwise direction) An upward airflow moves warm air off the ceiling area. (Fig. 17) This allows you to set your heating unit on a lower setting without affecting your comfort.



# 9. Operating Your Fan

Here are some suggestions to help you maintain your fan

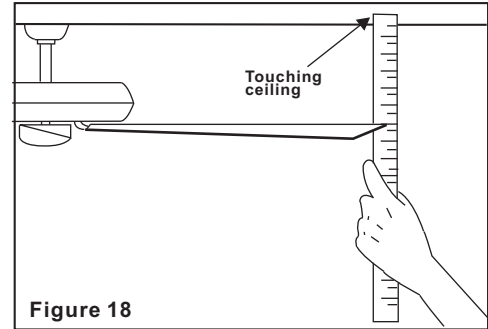
1. Because of the fan's natural movement, some connections may become loose. **Check the support connections, brackets, and blade attachments twice a year.** Make sure they are secure. **(It is not necessary to remove fan from ceiling.)**

2. Clean your fan periodically to help maintain its new appearance over the years. Use only a soft brush or lint-free cloth to avoid scratching the finish. The plating is sealed with a lacquer to minimize discoloration or tarnishing. Do not use water when cleaning. This could damage the motor, or the wood, or possibly cause an electrical shock.

3. You can apply a light coat of furniture polish to the wood blades for additional protection and enhanced beauty. Cover small scratches with a light application of shoe polish.

4. **There is no need to oil your fan.** The motor has permanently lubricated bearings.

**IMPORTANT**  
MAKE SURE THE POWER IS OFF  
AT THE ELECTRICAL PANEL BOX  
BEFORE YOU ATTEMPT ANY  
REPAIRS. REFER TO THE  
SECTION "MAKING ELECTRICAL  
CONNECTIONS".



**Figure 18**

## *Care of Your Fan 10.*

## Problem

## Solution

Fan will not start.

1. Check circuit fuses or breakers.
2. Check line wire connections to the fan and switch wire connections in the switch housing.  
**CAUTION:** Make sure main power is off.

Fan sounds noisy.

1. Make sure all motor housing screws are snug.
2. Make sure the screws that attach the fan blade bracket to the motor hub is tight.
3. Make sure wire nut connections are not rubbing against each other or the interior wall of the switch housing.  
**CAUTION:** Make sure main power is off.
4. Allow a 24-hour "breaking-in" period. Most noise associated with a new fan disappear during this time.
5. If using an optional light kit, make sure the screws securing the glassware are tight. Check that the light bulb is also secure.
6. Some fan motors are sensitive to signals from solid-state variable speed controls. If you have installed this type of control, choose and install another type of control.
7. Make sure the upper canopy is a short distance from the ceiling. It should not touch the ceiling.

Fan wobble.

1. Check that all blade and blade arm screws are secure.
2. Most fan wobbling problems are caused when blade levels are unequal. Check this level by selecting a point on the ceiling above the tip of one of the blades. Measure this distance.(Fig. 18) Rotate the fan until the next blade is positioned for measurement. Repeat for each blade. The distance deviation should be equal within 1/8".
3. Use the enclosed Blade Balancing Kit if the blade wobble is still noticeable.
4. If the blade wobble is still noticeable, interchanging two adjacent (side by side) blades can redistribute the weight and possibly result in smoother operation.

**WARNING: TO REDUCE THE RISK OF PERSONAL INJURY, DO NOT BEND THE BLADE ARM WHILE INSTALLING, BALANCING THE BLADES, OR CLEANING THE FAN. DO NOT INSERT FOREIGN OBJECTS BETWEEN ROTATING FAN BLADES.**

# *11. Troubleshooting*

Fan Size	Speed	Volts	Amps	Watts	RPM	CFM	N.W.	G.W.	C.F.
<b>52"</b>	<b>Low</b>	<b>120</b>	<b>0.20</b>	<b>14</b>	<b>54</b>	<b>1628.10</b>	<b>9.5 kgs</b>	<b>10.51 kgs</b>	<b>2.06'</b>
	<b>Medium</b>	<b>120</b>	<b>0.34</b>	<b>34</b>	<b>95</b>	<b>3136.78</b>			
	<b>High</b>	<b>120</b>	<b>0.45</b>	<b>57</b>	<b>129</b>	<b>4653.69</b>			

These are approximate measures. They do not include Amps and Wattage used by the light kit.

*Specifications 12.*