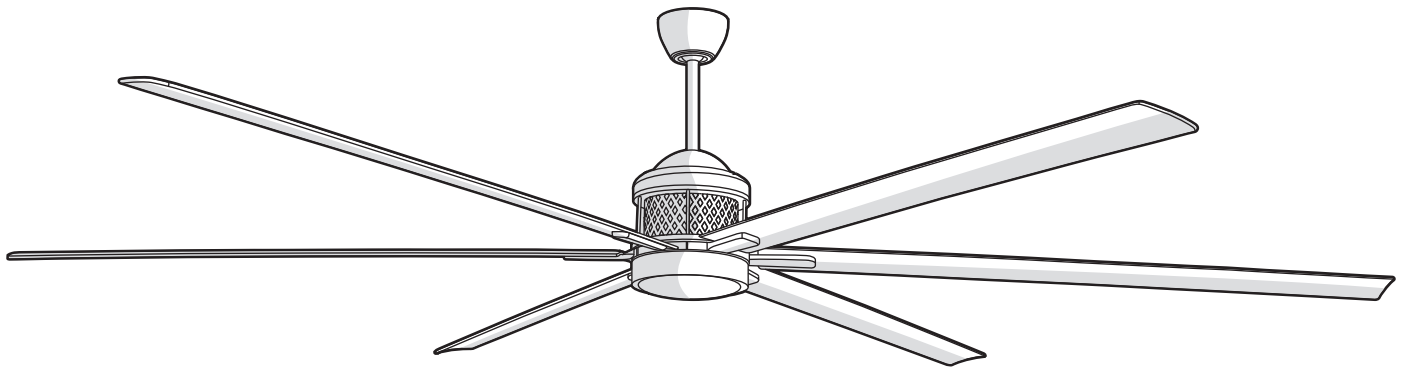


## USE AND CARE GUIDE

### ROYALTY 120 IN. CEILING FAN



Questions, problems, missing parts? Before returning to the store,  
call Home Decorators Collection Customer Service  
8 a.m. - 7 p.m., EST, Monday-Friday, 9 a.m. - 6 p.m., EST Saturday

1-800-986-3460

[HOMEDEPOT.COM/HOMEDECORATORS](http://HOMEDEPOT.COM/HOMEDECORATORS)



Visual instruction of how to install this fan:

Visit [www.homedepot.com](http://www.homedepot.com) and enter either the Item or Model number to find  
this fan and click the link of visual instruction in the product overview section.

#### **THANK YOU**

*We appreciate the trust and confidence you have placed in Home Decorators Collection through the purchase of this ceiling fan. We strive to continually create quality products designed to enhance your home. Visit us online to see our full line of products available for your home improvement needs. Thank you for choosing Home Decorators Collection!*

# Table of Contents

---

<b>Table of Contents</b> .....	<b>2</b>	<b>Operation</b> .....	<b>16</b>
<b>Safety Information</b> .....	<b>3</b>	Preparing the Transmitter .....	16
<b>Warranty</b> .....	<b>4</b>	Learning Process .....	16
<b>Pre-installation</b> .....	<b>4</b>	Operating Your Fan and Remote Control .....	17
Specifications .....	4	Warm/Cool Weather Operating Instructions .....	18
Tools Required .....	4	<b>Care and Cleaning</b> .....	<b>19</b>
Hardware Included .....	5	<b>Troubleshooting</b> .....	<b>19</b>
Package Contents .....	6	<b>Service Parts</b> .....	<b>21</b>
<b>Installation</b> .....	<b>7</b>		
<b>Assembly</b> .....	<b>8</b>		
Hanging the Fan .....	10		
Attaching the Fan Blades .....	14		
Installing the Light Kit .....	15		

---

**READ AND SAVE THESE INSTRUCTIONS**

# Safety Information

1. To reduce the risk of electric shock, ensure electricity has been turned off at the circuit breaker or fuse box before beginning.
2. All wiring must be in accordance with the National Electrical Code “ANSI/NFPA 70-1999” and local electrical codes. Electrical installation should be performed by a qualified licensed electrician.
3. The outlet box and support structure must be securely mounted and capable of reliably supporting a minimum of 50 lbs (22.7 kg) or less. Use only UL-listed outlet boxes marked “FOR FAN SUPPORT.”
4. The fan must be mounted with a minimum of 7 ft. (2.1m) clearance from the trailing edge of the blades to the floor.
5. Avoid placing objects in the path of the blades.
6. To avoid personal injury or damage to the fan and other items, be cautious when working around or cleaning the fan.
7. Do not use water or detergents when cleaning the fan or fan blades. A dry dust cloth or lightly dampened cloth will be suitable for most cleaning.
8. After making electrical connections, spliced conductors should be turned upward and pushed carefully up into the outlet box. The wires should be spread apart with the grounded conductor and the equipment-grounding conductor on one side of the outlet box and ungrounded conductor on the other side of the outlet box.
9. All setscrews must be checked and retightened where necessary before installation.
10. Suitable for use with solid-state speed control (RH789NRB only).
11. This device complies with part 15 of the FCC Rules. Operation is subject to the following two conditions: (1) This device may not cause harmful interference, and (2) this device must accept any interference received, including interference that may cause undesired operation.

**Warning:** Changes or modifications to this unit not expressly approved by the party responsible for compliance could void the user's authority to operate the equipment.

**NOTE:** This equipment has been tested and found to comply with the limits for a Class B digital device, pursuant to Part 15 of the FCC Rules. These limits are designed to provide reasonable protection against harmful interference in a residential installation. This equipment generates, uses and can radiate radio frequency energy and, if not installed and used in accordance with the instructions, may cause harmful interference to radio communications.

However, there is no guarantee that interference will not occur in a particular installation. If this equipment does cause harmful interference to radio or television reception, which can be determined by turning the equipment off and on, the user is encouraged to try to correct the interference by one or more of the following measures:

- Reorient or relocate the receiving antenna.
- Increase the separation between the equipment and receiver.
- Connect the equipment into an outlet on a circuit different from that to which the receiver is connected.
- Consult the dealer or an experienced radio/TV technician for help.



**WARNING:** To reduce the risk of electric shock, this fan must be installed with an isolating wall control/switch.



**WARNING:** To reduce the risk of personal injury, do not bend the blade arms (also referred to as flanges), when installing the brackets, balancing the blades or cleaning the fan.



**WARNING:** Do not insert foreign objects between rotating fan blades.



**WARNING:** To reduce the risk of fire, electric shock or personal injury, mount the fan to the outlet box marked acceptable for fan support with the screws provided with the outlet box.



**CAUTION:** To reduce the risk of personal injury, use only the screws provided with the outlet box.

# Warranty

We warrant the fan motor to be free from defects in workmanship and material present at time of shipment from the factory for a period of lifetime after the date of purchase by the original purchaser. We also warrant that all other fan parts, excluding any glass or acrylic blades, to be free from defects in workmanship and material at the time of shipment from the factory for a period of two years after the date of purchase by the original purchaser. We agree to correct such defects without charge or at our option replace with a comparable or superior model if the product is returned. To obtain warranty service, you must present a copy of the receipt as proof of purchase. All costs of removing and reinstalling the product are your responsibility. Damage to any part such as by accident, misuse, improper installation or by affixing any accessories, is not covered by this warranty. Because of varying climatic conditions this warranty does not cover any changes in brass finish, including rusting, pitting, corroding, tarnishing or peeling. Brass finishes of this type give their longest useful life when protected from varying weather conditions. A certain amount of "wobble" is normal and should not be considered a defect. Servicing performed by unauthorized persons shall render the warranty invalid. There is no other express warranty. We hereby disclaim any and all warranties, including but not limited to those of merchantability and fitness for a particular purpose to the extent permitted by law. The duration of any implied warranty which cannot be disclaimed is limited to the time period as specified in the express warranty. Some states do not allow limitation on how long an implied warranty lasts, so the above limitation may not apply to you. The retailer shall not be liable for incidental, consequential, or special damages arising out of or in connection with product use or performance except as may otherwise be accorded by law. Some states do not allow the exclusion of incidental or consequential damages, so the above exclusion or limitation may not apply to you. This warranty gives specific legal rights, and you may also have other rights which vary from state to state. This warranty supersedes all prior warranties. Shipping costs for any return of product as part of a claim on the warranty must be paid by the customer.

Contact the Customer Service Team at 1-800-986-3460 or visit [www.HOMEDEPOT.COM/HOMEDECORATORS](http://www.HOMEDEPOT.COM/HOMEDECORATORS)

# Pre-Installation

## SPECIFICATIONS

Fan size	Speed	Volts	Amps	Watts	RPM	N.W.	G.W.	C.F.
120 in.	Low (Speed 1)	120	0.10	6.2	30	19 kg (41.8 lbs.)	22.42 kg (49.33 lbs.)	4.81 cu. ft.
	Medium (Speed 5)		0.30	21.2	45			
	High (Speed 9)		0.64	48.1	60			



**NOTE:** These are approximate measures. They do not include amps and wattage used by the light kit.



## TOOLS REQUIRED

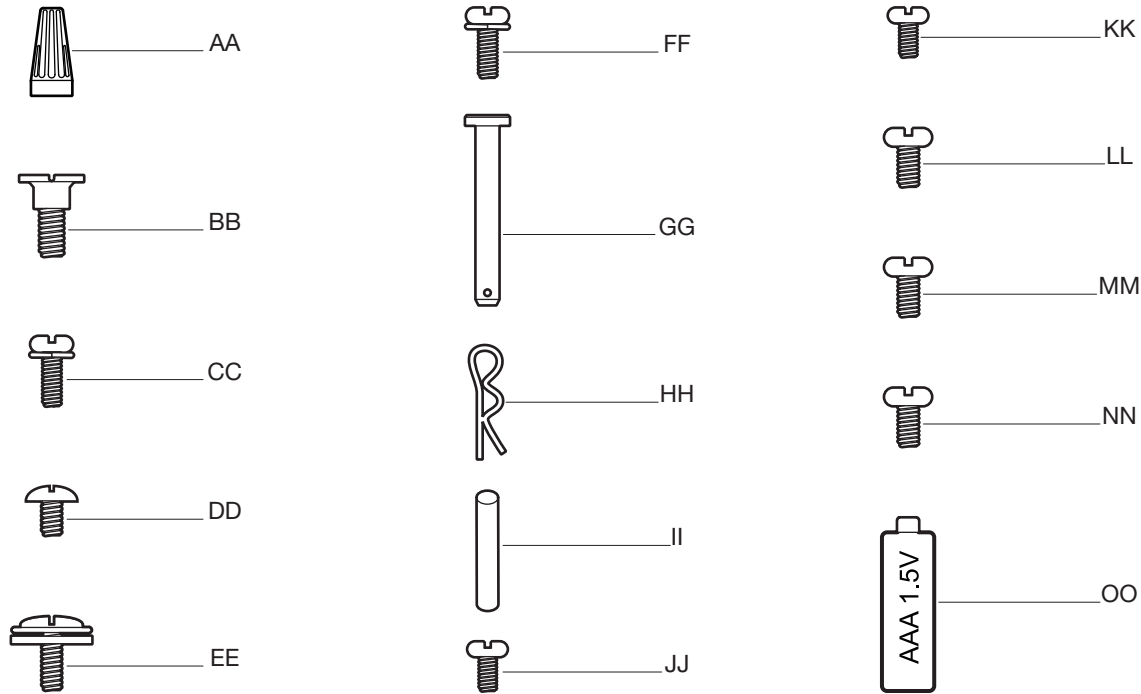


# Pre-Installation (continued)

## HARDWARE INCLUDED



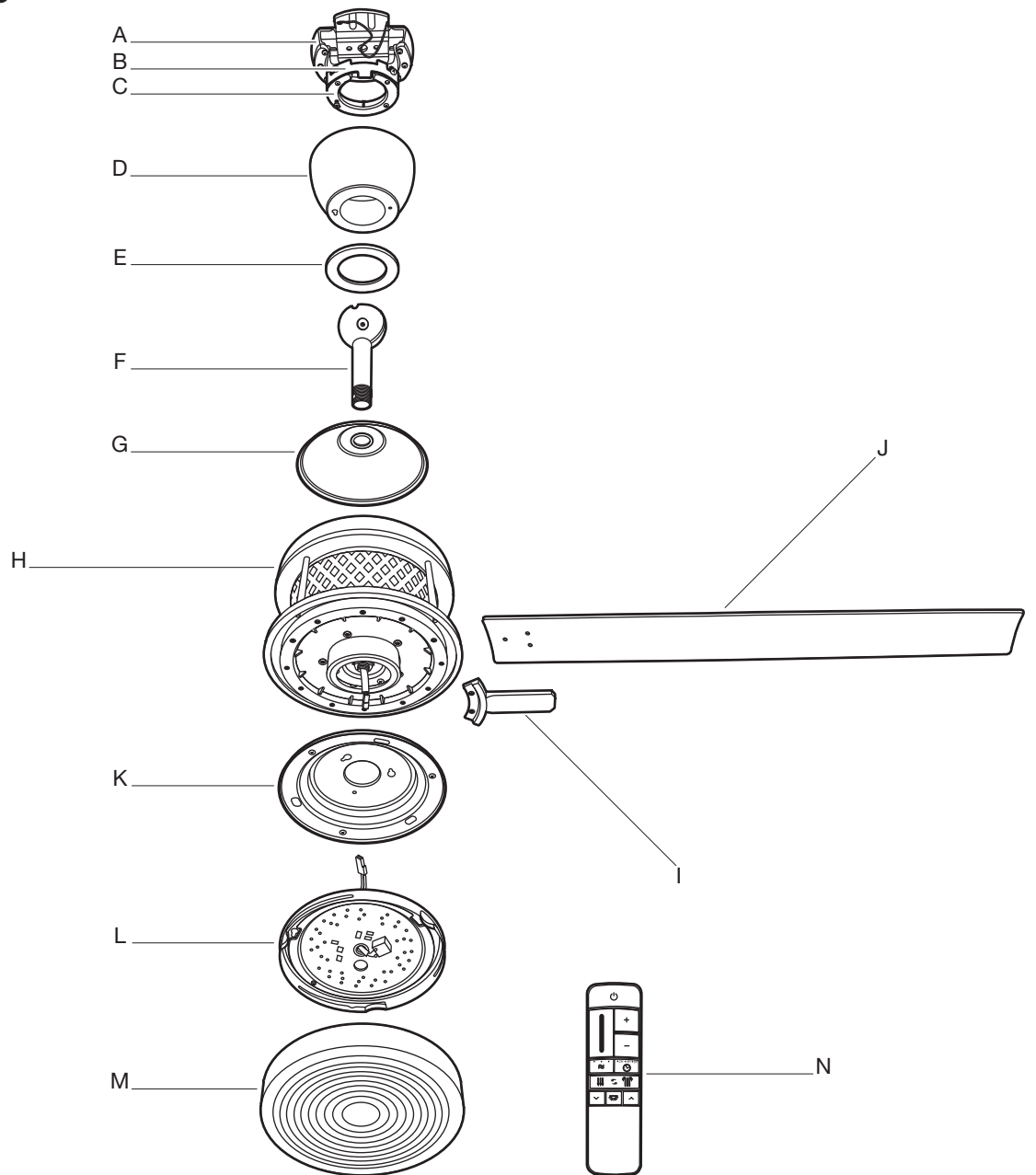
**NOTE:** Hardware shown to actual size unless noted otherwise in the table below.



Part	Description	Quantity
AA	Plastic wire nut	3
BB	Canopy mounting screw (preassembled)	2
CC	Neck of the mounting bracket screw (preassembled)	6
DD	Stop valve screw (preassembled)	2
EE	Blade attachment screw and fiber washer	25
FF	Blade arm screw with lock washer (preassembled)	16
GG	Clevis pin (preassembled)	1
HH	Cotter pin (preassembled)	1
II	Cross pin (preassembled)	1
JJ	Setscrew #1 (preassembled)	1
KK	Setscrew #2 (preassembled)	1
LL	Collar setscrew (preassembled)	2
MM	Light kit mounting plate screw (preassembled)	3
NN	Light kit mounting screw (preassembled)	3
OO	1.5V AAA battery (not to scale)	2

# Pre-Installation (continued)

## PACKAGE CONTENTS



Part	Description	Quantity
A	Mounting bracket (preassembled)	1
B	Stop Valve (preassembled)	1
C	Neck of the mounting bracket (preassembled)	1
D	Canopy	1
E	Canopy bottom cover	1
F	Hanger ball/downrod assembly	1
G	Coupling cover	1

Part	Description	Quantity
H	Fan motor assembly	1
I	Blade arm	6
J	Blade	6
K	Light kit mounting plate	1
L	18 watt LED Light kit	1
M	Light cover	1
N	Remote control	1

# Installation

## MOUNTING OPTIONS



**WARNING:** To reduce the risk of fire, electric shock, or personal injury, mount the fan to an outlet box marked acceptable for fan support using the screws provided with the outlet box. An outlet box commonly used for the support of lighting fixtures may not be acceptable for fan support and may need to be replaced. If in doubt, consult a qualified electrician.

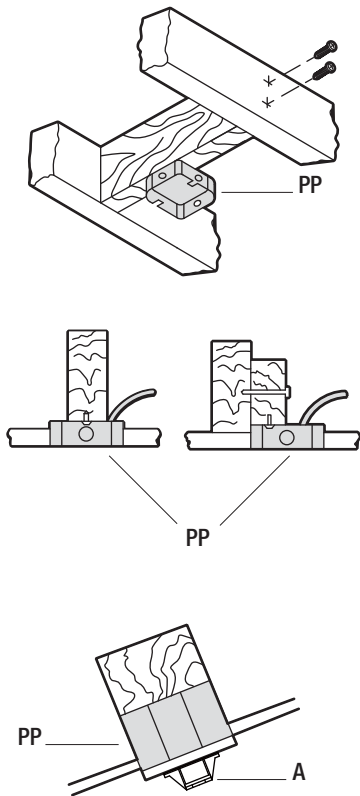


**NOTE:** You may need a longer downrod to maintain proper blade clearance when installing on a steep, sloped ceiling. The maximum angle allowable is 18° away from horizontal. If the canopy (D) touches the hanger ball/downrod assembly (F), turn the canopy (D) 180° before attaching the canopy (D) to the mounting bracket (A).

If your ceiling fan does not have an existing UL-listed mounting box, then install one using the following instructions:

- Disconnect the power by removing the fuses or turning off the circuit breakers.
- Secure the outlet box (PP) (not included) directly to the building structure. Use appropriate fasteners and materials (not included). The outlet box and its bracing must be able to fully support the weight of the moving fan (at least 50 lbs.). Do not use a plastic outlet box.

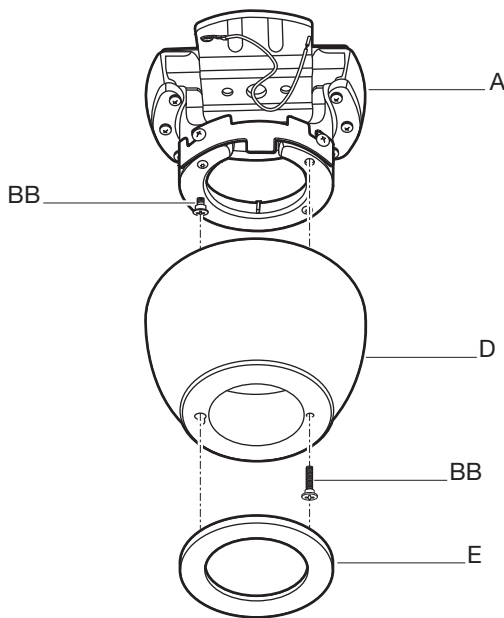
The illustrations below show three different ways to mount the outlet box (PP) (not included).



# Assembly

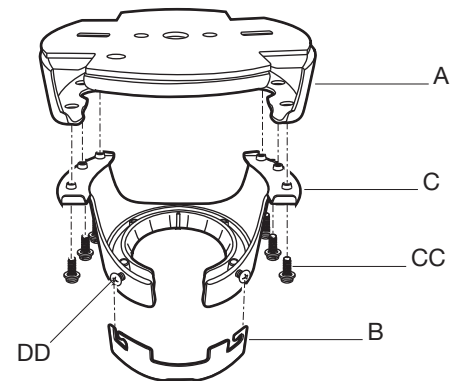
## 1 Preparing the canopy

- Remove the canopy bottom cover (E) from the canopy (D) by turning the canopy bottom cover (E) counter-clockwise.
- Remove the mounting bracket (A) from the canopy (D) by removing the non-slotted canopy mounting screw (BB) from the bottom of the canopy (D) and loosening the slotted canopy mounting screw (BB) a half turn from the screw head. Next, turn the canopy (D) counterclockwise to remove the mounting bracket (A) from the canopy (D).



## 2 Preparing the mounting bracket

- Unscrew the four neck of the mounting bracket screws (CC) on the mounting bracket (A) to apart the mounting plate and neck of the mounting bracket (mounting neck) (C).
- Remove stop valve (B) from the neck of the mounting bracket (C) by loosening the two stop valve screws (DD) on the neck of the mounting bracket (C) in 1/4" from the screw head.

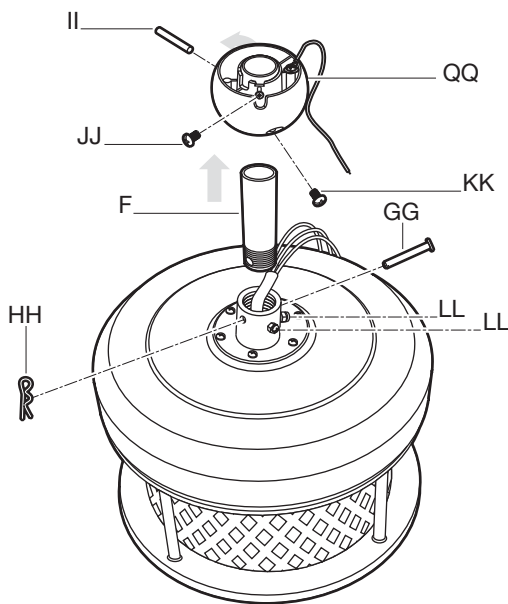




## Assembly (continued)

### 3 Preparing the motor

- Remove the cotter pin (HH) and clevis pin (GG), and loosen the two collar setscrews (LL) from the motor collar.
- Take out the setscrew #1 (JJ) and loosen the setscrew #2 (KK) located in the hanger ball (QQ), lower the hanger ball and remove the cross pin (II). Remove the hanger ball (QQ) from the hanger ball/downrod assembly (F).



### 4 Assembling the fan

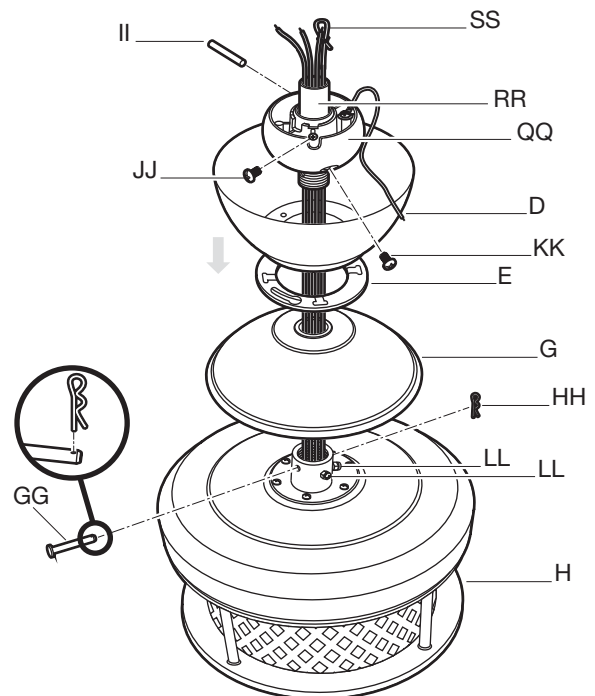


**WARNING:** Failure to properly install the cotter pin (HH) could result in the fan loosening and possibly falling.



**NOTE:** If a longer downrod (not included) is needed, take out the screw located in the hanger ball (QQ), lower the hanger ball (QQ) and remove the cross pin (II). Remove all three pieces from the downrod and assemble them onto the new longer downrod before proceeding to the downrod installation.

- Carefully feed the motor wires and the safety cable (SS) up through the downrod (RR). Thread the downrod (RR) into the collar.
- Align the holes and replace the clevis pin (GG) and cotter pin (HH). Tighten the two collar setscrews (LL).
- Slip coupling cover (G), canopy bottom cover (E), and canopy (D) onto the downrod (RR).
- Carefully reinstall the hanger ball (QQ) onto the downrod (RR) and make sure the cross pin (II) is in the correct position, the setscrew #1 (JJ) and setscrew #2 (KK) is tightened and wires are not twisted.



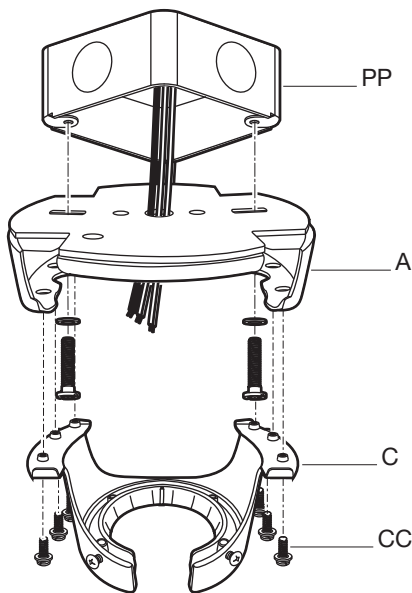
# Assembly – Hanging the Fan

## 5 Attaching the mounting bracket to the ceiling



**WARNING:** To reduce the risk of fire, electric shock or other personal injury, mount the fan only to an outlet box or supporting system marked acceptable for fan support and use the mounting screws provided with the outlet box.

- Pass the 120-volt supply wires through the center hole in the mounting bracket (A).
- Attach the mounting bracket (A) to the outlet box (PP) with the screws and washers provided with the outlet box (PP).
- Securely tighten the two mounting screws.
- Attach mounting neck (C) onto the mounting bracket (A). You have to rotate the mounting neck (C) to align the four screw holes. Secure mounting neck (C) to the mounting bracket (A) with four neck of the mounting bracket screw (CC) to become a complete mounting bracket (A).

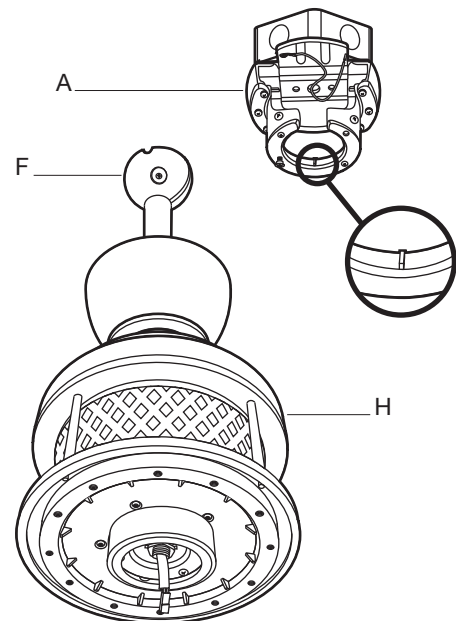


## 6 Hanging the fan from the mounting bracket



**WARNING:** The tab in the ring must rest in the groove of the hanger ball/downrod assembly (F). Failure to properly seat the tab in the groove could cause damage to the wiring.

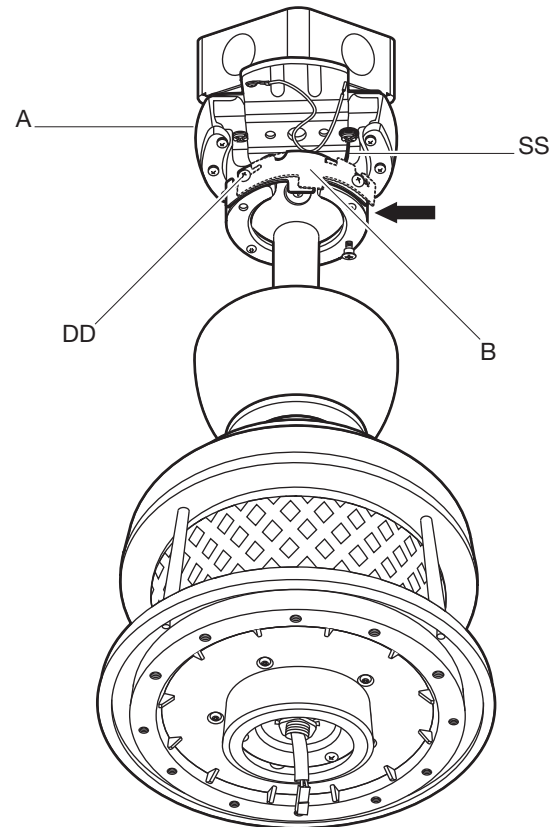
- Carefully lift the fan motor assembly (H) up to the mounting bracket (A) and seat the hanger ball/downrod assembly (F) in the mounting bracket (A) socket. Make sure the tab on the mounting bracket (A) socket is properly seated in the groove in the hanger ball/downrod assembly (F). This will help to balance the ceiling fan.



## Assembly – Hanging the Fan (continued)

### 7 Installing the safety cable and the stop valve

- Secure the safety cable (SS) to the building structure using a wood screw (not included).
- Secure the stop valve (B) onto mounting bracket (A) by tightening two stop valve screw (DD) to close up the opening of mounting bracket (A).



# Assembly – Hanging the Fan (continued)

## 8 Making the electrical connections



**WARNING:** To avoid possible electrical shock, be sure electricity is turned off at the main fuse box before wiring.



**WARNING:** Check to see that all connections are tight, including ground, and that no bare wire is visible at the wire nuts (except for the ground wire).

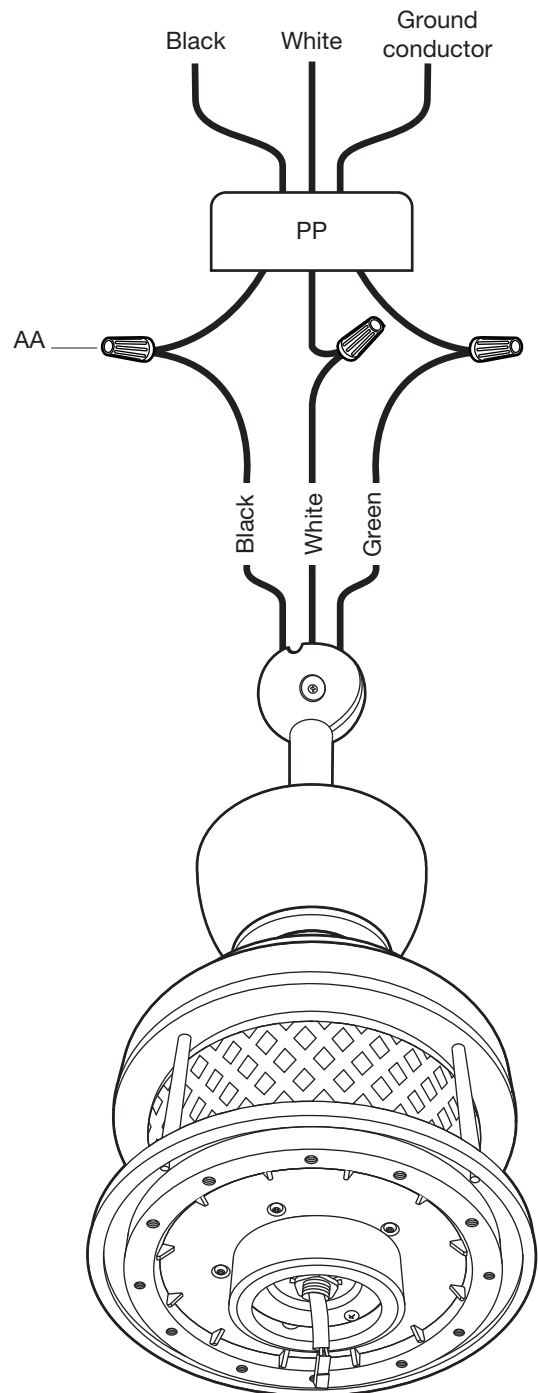


**WARNING:** To reduce the risk of electric shock, this fan must be installed with an isolating wall control/switch.

If you feel you do not have enough electrical wiring knowledge or experience, have your fan installed by a licensed electrician.

Follow the steps below to connect the fan to your household wiring. Use the plastic wire nuts (AA) with your fan. Secure the plastic wire nuts (AA) with electrical tape. Make sure there are no loose strands or connections.

- Connect the ground conductor of the 120V supply (this may be a bare wire or a wire with green colored insulation) to the green ground lead(s) of the fan.
- Connect the fan motor white wire to the supply white (neutral) wire using a plastic wire nut (AA).
- Connect the fan motor black wire to the supply black (hot) wire using a plastic wire nut (AA).



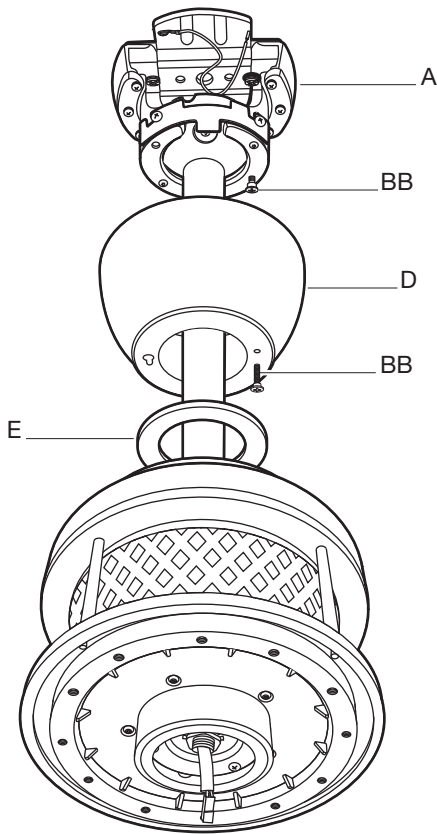
## Assembly — Hanging the Fan (continued)

### 9 Installing the canopy



**WARNING:** Make sure the tab on the mounting bracket (A) properly sits in the groove in the hanger ball/downrod assembly (F) before attaching the canopy (D) to the mounting bracket (A) by turning the canopy housing until it drops into place.

- Slide the canopy (D) up to the mounting bracket (A) and place the key hole on the canopy (D) over the loose canopy mounting screw (BB) on the mounting bracket (A). Turn the canopy (D) clockwise until the canopy (D) locks in place at the narrow section of the key holes.
- Align the circular hole on the canopy (D) with the remaining hole on the mounting bracket (A). Secure the canopy mounting screw (BB) previously removed in the hole, and tighten the two canopy mounting screws (BB).

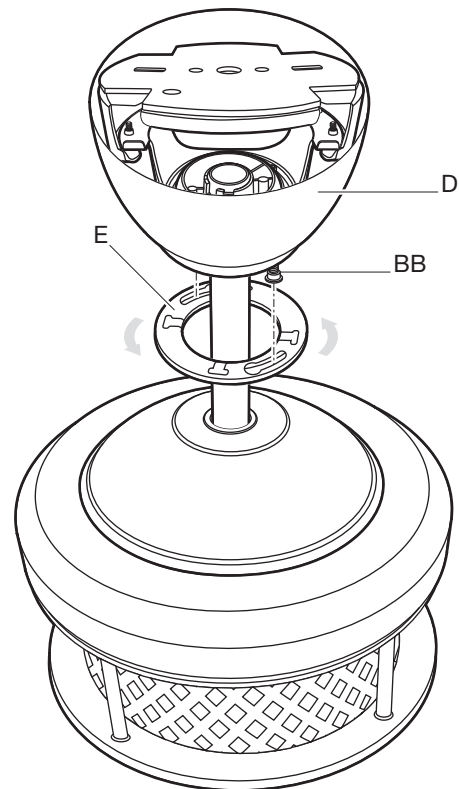


### 10 Attaching the canopy bottom cover



**NOTE:** Adjust the canopy mounting screws (BB) as necessary until the canopy (D) and canopy bottom cover (E) are snug.

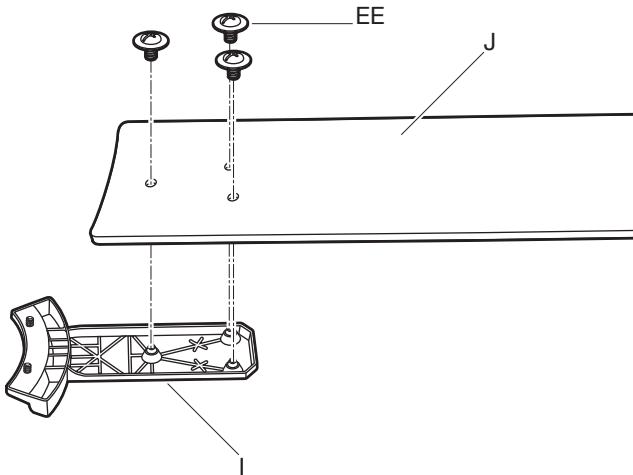
- Attach the canopy bottom cover (E) to the canopy (D) by inserting the canopy mounting screw (BB) into the key slots in the canopy bottom cover (E) and rotating the canopy bottom cover (E) clockwise.



# Assembly – Attaching the Fan Blades

## 11 Attaching the blades to the blade arms

- Attach the blades (J) to the blade arms (I) using the three blade attachment screws and fiber washers (EE). Start a screw with fiber washer (EE) into the blade arms (I), but do not tighten.
- Repeat for the two remaining blade attachment screws and fiber washers (EE).
- Tighten each screw securely starting with the center screw. Make sure the blade (J) is straight.
- Repeat these steps for the remaining blades (J).

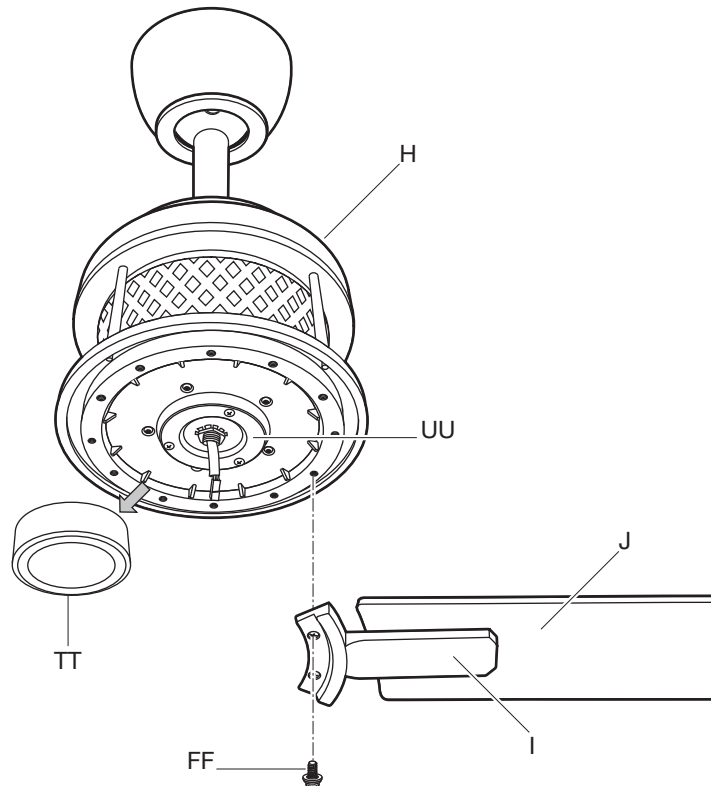


## 12 Fastening the blade assemblies to the motor



**WARNING:** To reduce the risk of personal injury, do not bend the blade arms (I) while installing, balancing the blades (J), or cleaning the fan. Do not insert foreign objects between rotating fan blades (J).

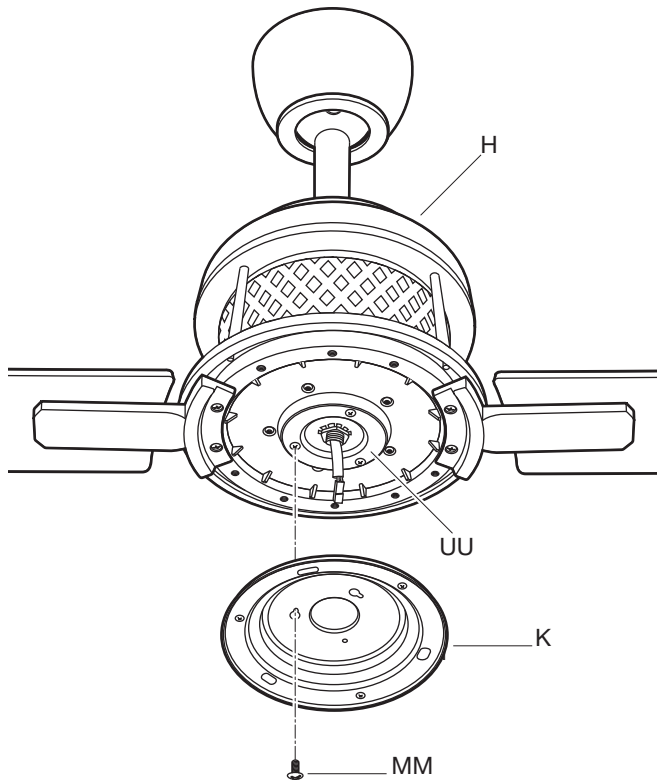
- The fan motor assembly (H) is shipped with motor support plate (TT) to prevent movement during transportation.
- Remove the motor support plate (TT) from the mounting ring (UU) and discard.
- Align the holes from the blade arm (I) to the holes from the motor (H), and secure the blade arm in place with screws and washers (FF) provided.
- Repeat this process to attach the other blades assemblies.



# Assembly – Installing the Light Kit

## 13 Attaching the light kit mounting plate to the mounting ring

- Remove one of the three light kit mounting plate screws (MM) from the mounting ring (UU) and loosen the other two screws. (Do not remove.)
- Place the key holes in the light kit mounting plate (K) over the two screws (MM) previously loosened from the mounting ring (UU). Turn the light kit mounting plate (K) until the light kit mounting plate (K) locks in place at the narrow section of the key holes.
- Securely tighten the two light kit mounting plate screws (MM) previously loosened and the one (MM) previously removed.

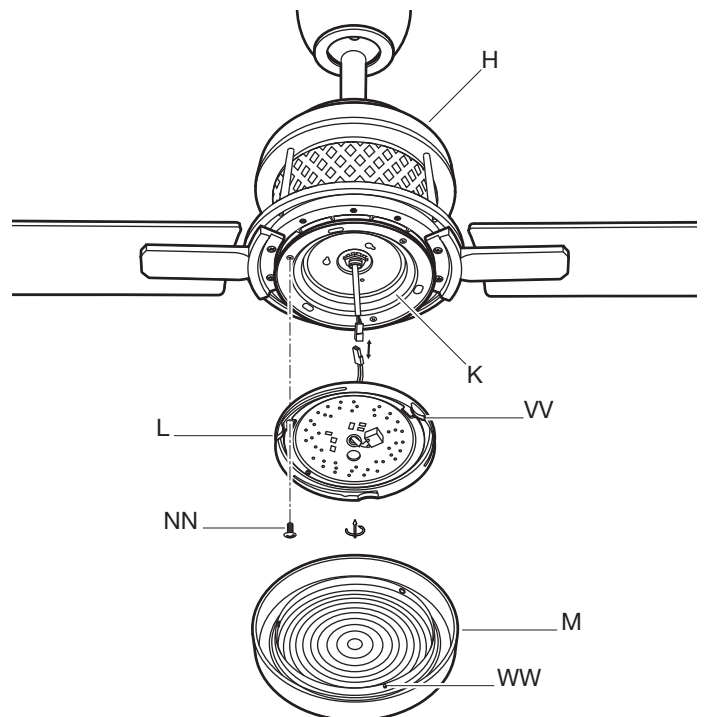


## 14 Attaching the LED light kit and light cover



**CAUTION:** Before starting installation, disconnect the power by turning off the circuit breaker or removing the fuse at the fuse box. Turning power off using the fan switch is not sufficient to prevent electric shock.

- Remove one of the three light kit mounting screws (NN) from the light kit mounting plate (K) and loosen the other two screws (NN). (Do not remove.)
- While holding the 18W LED light kit (L) under the fan motor assembly (H), make the 2-pin wire connections:
  - White to white
  - Black to black
- Place the key holes in the 18W LED light kit (L) over the two mounting screws (NN) previously loosened from the light kit mounting plate (K). Turn the 18W LED light kit (L) until the 18W LED light kit (L) locks in place at the narrow section of the key holes. Secure by tightening the two light kit mounting screws (NN) previously loosened and the one (NN) previously removed.
- Position the notches (VV) in the outer rim of the 18W LED light kit (L) so they line up with the tabs (WW) on the inside of the rim on the light cover (M). Carefully lift the light cover (M) up inside the 18W LED light kit (L) and secure it to the fan by turning the light cover (M) clockwise until snug. **DO NOT OVERTIGHTEN.**



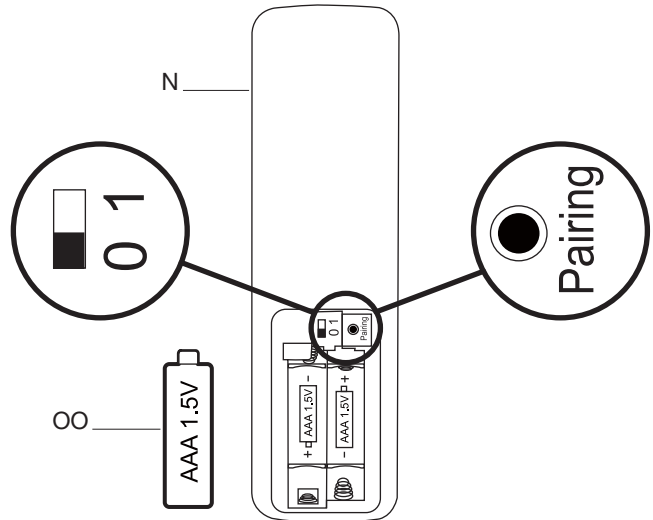
# Operation

## PREPARING THE TRANSMITTER



**NOTE:** Batteries will weaken with age and should be replaced before leaking takes place as this will damage the remote control. Dispose of used batteries properly and keep them out of the reach of children.

- ❑ Remove the battery cover by pressing firmly on the arrow and sliding the cover off.
- ❑ Install two 1.5V AAA batteries (00) (included).
- ❑ Replace the battery cover on the remote control (N).



## LEARNING PROCESS



**NOTE:** The dip switch in the battery compartment has been set on "0" position as an universal code for your convenience. If you have two or more fans, please follow steps below to control each fan independently.

The learning process causes any installed fan within range to memorize a remote control. Fans can learn five remotes.

To add a remote to your fan's memory, use the steps below:

- ❑ Ensure AC power to the fan is OFF to begin the learning process.
- ❑ Slide the dip switch in the battery compartment to the "1" position.
- ❑ Turn the fan's AC power ON.

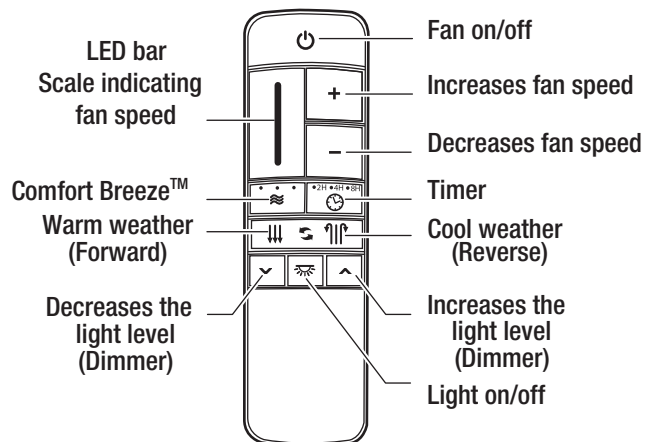
To clear all other remotes from your fan's memory, use the steps below:

- ❑ Ensure AC power to the fan is OFF to begin the learning process.
- ❑ Slide the dip switch in the battery compartment to the "0" position.
- ❑ Turn the fan's AC power ON.
- ❑ Within 60 seconds of turning AC power ON, press and release the "Pairing" button located in the remote's battery compartment, and your fan will restore to the original setting and dismiss the other remotes.



**NOTE:** If installing multiple fans on separate remotes, only the fan being programmed should have AC power turned ON. All other fans, even if they have already been programmed, should have AC power OFF so they do not memorize other remotes during the learning process. Separate the fan power switches by approximately 2 meters.

- ❑ Within 60 seconds of turning AC power on, press and release the "Pairing" button located in the remote's battery compartment to enter the learning function. Once the fan has detected the remote controls's frequency, the down light of your fan, if applicable, will blink, and the fan blades will start to spin.
- ❑ The fan will now accept commands from the added remote.





# Operation (continued)

## OPERATING YOUR FAN AND REMOTE CONTROL



**NOTE:** The fan will store the last used speed setting for the next time it is turned on.



**NOTE:** You must turn the fan on prior to using the speed or time functions.

**1. Fan  button.** - Press and release the  button to turn the fan on or off.

- When turned on, the fan will begin spinning using its last speed settings. The remote control's LED bar will display the speed setting for 5 seconds.
- When turned off, the fan will stop spinning and the light from the remote control's LED bar will quickly darken from top to bottom.

**2. Speed functions**

**+ button, increases the fan speed**

- Pressing and releasing the + button one time will increase the speed of the fan. Each setting increase will cause the LED bar to illuminate slightly more, until the fan has reached the maximum speed setting, at that time the LED bar will be fully illuminated.
- Pressing and holding the + button will increase the fan speed automatically through the speed settings and the increments will be denoted on the LED bar. When the LED bar is fully illuminated, the fan has reached maximum speed setting.
- Pressing the + button while in Comfort Breeze™ mode will automatically cancel the Comfort Breeze™ mode and resume normal fan operation.


**- button, decreases fan speed**

- Pressing and releasing the - button one time will decrease the speed of the fan. Each setting decrease will cause the LED bar to dim slightly more, until the fan has reached the minimum speed setting. At that time the LED bar will be approximately 25% illuminated.
- Pressing and holding the - button will decrease the fan speed automatically through the speed settings and the reductions will be denoted on the LED bar. When the LED bar is 25% illuminated, the fan has reached the minimum speed setting.
- Pressing the - button while in Comfort Breeze™ mode will automatically cancel the Comfort Breeze™ mode and resume normal fan operation.

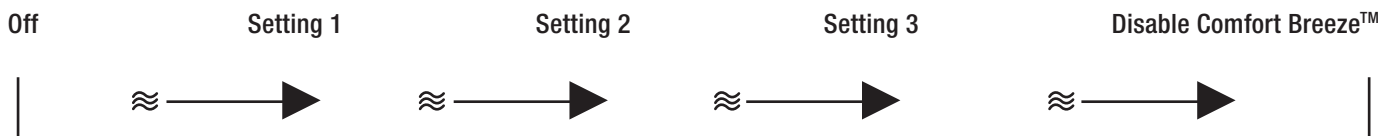
**3. Comfort Breeze™ **



**NOTE:** If you are using Comfort Breeze™ mode, pressing the  button or the fan speed buttons will cancel Comfort Breeze™ mode and resume normal fan operation.

There are three Comfort Breeze™ settings. Pressing the  button will activate the Comfort Breeze™ mode and the LED bar will illuminate slowly from bottom to top to display the current setting.

- Setting 1: Alternates through speeds 1 – 3, the LED bar should fill approximately 33%.
- Setting 2: Alternates through speeds 1 – 6, the LED bar should fill approximately 66%.
- Setting 3: Alternates through speeds 1 – 9, the LED bar should be fully illuminated.



## Operation (continued)

### 4. Timer 🕒

- Pressing the timer buttons will automatically turn fan and light (if light is on) off after 2, 4, or 8 hours. When you activate the timer mode, the LED to the left of the time above the clock will illuminate.



### 5. Fan reverse button (Must be pushed when the fan is in operation)

- Warm weather: ↓↓↓ LED bar will illuminate and the lights will flow from high to low.
- Cool weather: ↑↑↑ LED bar will illuminate and the lights will flow from low to high.

### 6. Light ☀️

- Press and release the light button to turn the light on or off.
- Light on: The fan memory function will resume the light setting (on or off and dim) on the fan prior to the power being turned off.

### 7. Dimmer

- Press ▲ to increase the desired light level.
- Press ▼ to decrease the desired light level.

## WARM/COOL WEATHER OPERATING INSTRUCTIONS

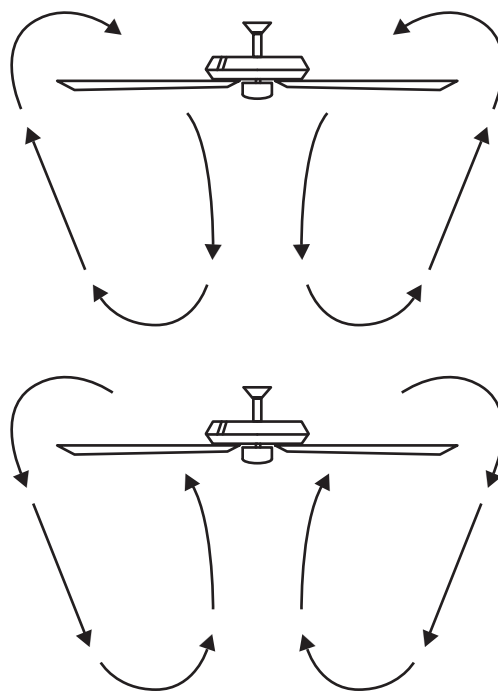
Speed settings for warm or cool weather depend on factors such as the room size, ceiling height, number of fans.



**NOTE:** The fan reverse buttons must be pressed while the fan is running.

**Warm weather - (Counterclockwise Direction)** A downward air flow creates a cooling effect. This allows you to set your air conditioner on a warmer setting without affecting your comfort.

**Cool weather - (Clockwise Direction)** An upward air flow moves warm air off the ceiling. This allows you to set your heating unit on a cooler setting without affecting your comfort.



# Care and Cleaning

## Do

- Check the support connections, brackets, and blade attachments twice a year. Make sure they are secure. Because of the fan's natural movement, some connections may become loose over time. It is not necessary to remove the fan from the ceiling.
- Clean your fan periodically. Use only a soft brush or lint-free cloth to avoid scratching the finish. The plating is sealed with a lacquer to minimize discoloration or tarnishing.
- (Optional) Apply a light coat of furniture polish to the wood blades.
- (Optional) Cover small scratches with a light application of shoe polish.

## Do not

- Use water when cleaning. Water could damage the motor, or the wood, or possibly cause an electrical shock.
- Apply oil to your fan or motor. The motor has permanently-lubricated sealed ball bearings.

# Troubleshooting



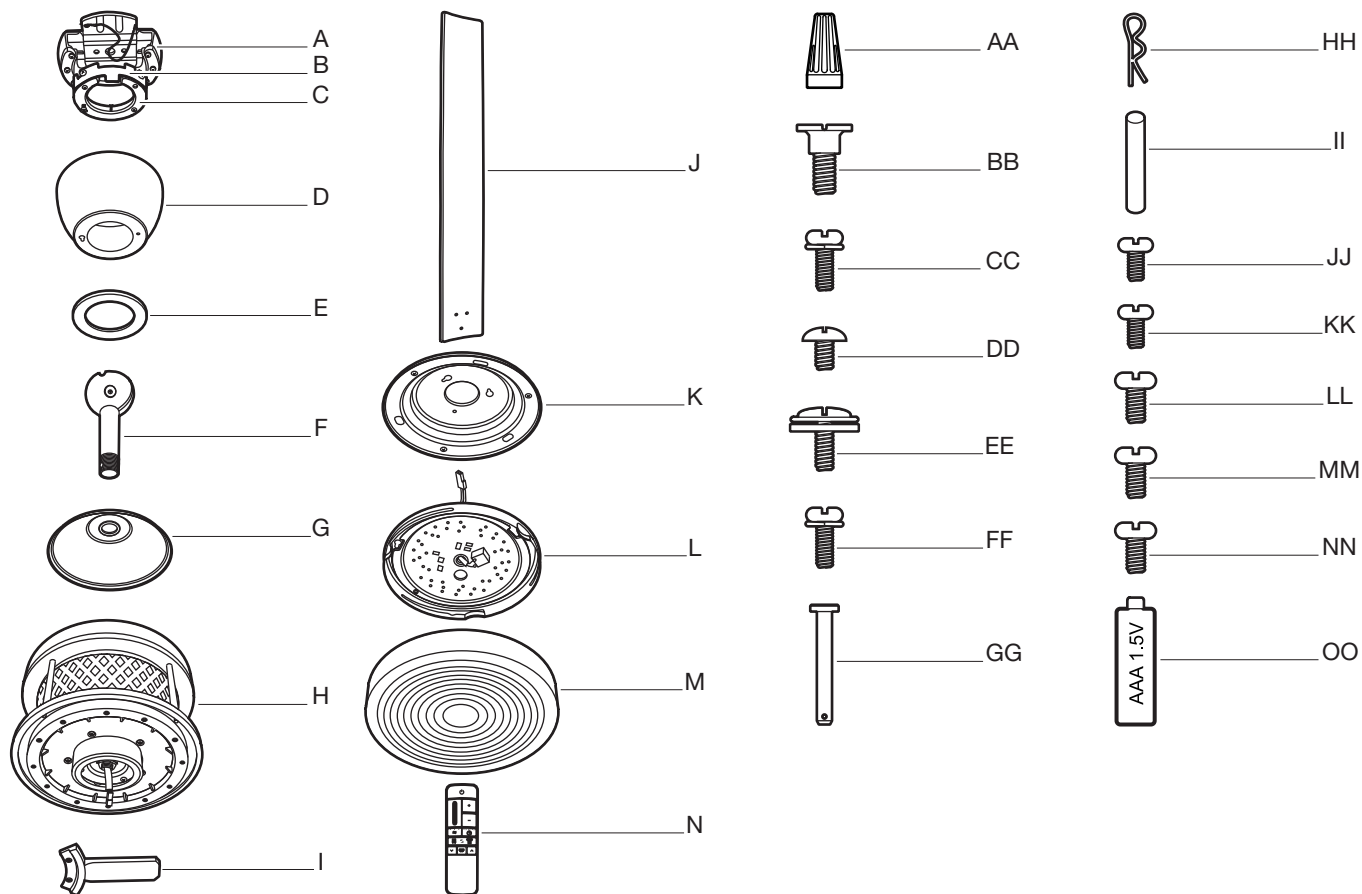
**WARNING:** Make sure the power is off at the electrical panel box before you attempt any repairs. Refer to the section "Making the Electrical Connections" on page 12.

Problem	Solution
The fan will not start.	□ Check the main and branch circuit fuses or breakers.
	□ Check the line wire connections to the fan and switch wire connections in the switch housing.
	□ Check to make sure the frequency switches from the remote control and receiver are set to the same frequency.
The fan sounds noisy.	□ Make sure all motor housing screws are snug.
	□ Make sure the screws that attach the fan blade arm to the motor hub are tight.
	□ Make sure the wire nut connections are not rattling against each other or the interior wall of the switch housing.
	□ Allow a 24-hour "breaking-in" period. Most noises associated with a new fan disappear during this time.
	□ If using the ceiling light kit, make sure the screws securing are tight. Check that the light bulb is also secure.
	□ Make sure there is a short distance from the ceiling to the canopy. It should not touch the ceiling.
□ Make sure your ceiling box is secure and that rubber isolator pads are used between the mounting bracket and outlet box.	

## Troubleshooting (continued)

Problem	Solution
The remote control is not working.	<ul style="list-style-type: none"><li data-bbox="397 296 1133 323">□ Do not connect the fan with wall mounted variable speed control(s).</li><li data-bbox="397 352 976 380">□ Make sure the frequency switches are set correctly.</li></ul>
The fan wobbles.	<ul style="list-style-type: none"><li data-bbox="397 422 1487 506">□ Verify that all blades and blade bracket screws are secure (most fan wobble problems are caused by loose parts). Once the fan is properly installed, run the ceiling fan for 10 minutes to let the fan self-adjust.  If wobble occurs after running the fan for 10 minutes, verify blade level using the following process:<ul style="list-style-type: none"><li data-bbox="446 600 1503 709">- Select a point on the ceiling above the tip of one of the blades, then select any fan blade and measure from the center of the selected blade to the point on the ceiling. Rotate the fan until the next blade is positioned and repeat the measurement using the same point from the ceiling for every blade. Measurement deviations should be within 1/8 in..</li><li data-bbox="446 743 1495 800">- If all deviations are less than 1/8 in. and the fan continues to wobble, please call Customer Service (1-800-986-3460) to order a complimentary Blade Balancing Kit.</li><li data-bbox="446 833 1377 890">- If deviation is greater than 1/8 in. , please call Customer Service (1-800-986-3460) to order complimentary replacements of your brackets.</li></ul></li></ul>

# Service Parts



Part	Description
A	Mounting bracket (preassembled)
B	Stop Valve (preassembled)
C	Neck of the mounting bracket (preassembled)
D	Canopy
E	Canopy bottom cover
F	Hanger ball/downrod assembly
G	Coupling cover
H	Fan motor assembly
I	Blade arm
J	Blade
K	Light kit mounting plate
L	18 watt LED Light kit
M	Light cover
N	Remote control

Part	Description
AA	Plastic wire nut
BB	Canopy mounting screw (preassembled)
CC	Neck of the mounting bracket screw (preassembled)
DD	Stop valve screw (preassembled)
EE	Blade attachment screw and fiber washer
FF	Blade arm screw with lock washer
GG	Clevis pin (preassembled)
HH	Cotter pin (preassembled)
II	Cross pin (preassembled)
JJ	Setscrew #1 (preassembled)
KK	Setscrew #2 (preassembled)
LL	Collar setscrew (preassembled)
MM	Light kit mounting plate screw (preassembled)
NN	Light kit mounting screw (preassembled)
OO	1.5V AAA battery

# HOME DECORATORS COLLECTION

Questions, problems, missing parts? Before returning to the store,  
call Home Decorators Collection Customer Service  
8 a.m. - 7 p.m., EST, Monday-Friday, 9 a.m. - 6 p.m., EST Saturday

1-800-986-3460

[HOMEDEPOT.COM/HOMEDECORATORS](http://HOMEDEPOT.COM/HOMEDECORATORS)

Retain this manual for future use.

AM590001-A