

Hampton Bay Lifetime Limited Warranty

The retailer warrants the fan motor to be free from defects in workmanship and material present at time of shipment from the factory for a lifetime after the date of purchase by the original purchaser. The retailer also warrants that all other fan parts, excluding any glass or plexiglass blades, to be free from defects in workmanship and material at the time of shipment from the factory for a period of one year after the date of purchase by the original purchaser. We agree to correct such defects without charge or at our option replace with a comparable or superior model if the product is returned to the retailer. To obtain warranty service, you must present a copy of the receipt as proof of purchase. All costs of removing and reinstalling the product are your responsibility. Damage to any part such as by accident or misuse or improper installation or by affixing any accessories, is not covered by this warranty. Because of varying climatic conditions in the United States this warranty does not cover any changes in brass finish, including rusting, pitting, corroding, tarnishing or peeling. Brass finishes of this type give their longest useful life when protected from varying weather conditions. A certain amount of wobble is normal and should not be considered a defect. Servicing performed by unauthorized persons shall render the warranty invalid. **There is no other express warranty. The retailer hereby disclaims any and all warranties, including but not limited to. Those of merchantability and fitness for a particular purpose to the extent permitted by law.** The duration of any implied warranty which cannot be disclaimed is limited to the time period as specified in the express warranty. Some states do not allow limitation on how long an implied warranty lasts, so the above limitation may not apply to you. **The retailer shall not be liable for incidental, consequential, or special damages arising out of or in connection with product use or performance except as may otherwise be accorded by law.** Some states do not allow the exclusion of incidental or consequential damages, so the above exclusion or limitation may not apply to you. This warranty gives specific legal rights, and you may also have other rights which vary from state to state. This warranty supersedes all prior warranties.

Date Purchased _____

Store Purchased _____

Model No. _____
 518-596
 518-696

Serial No. _____

Vendor No. _____ 11289

UPC _____
 792145350446
 792145350453

Lifetime Limited Warranty

Safety Rules..... 1.
Unpacking Your Fan 2.
Installing Your Fan 3.
Installing the Switch Housing..... 9.
Operating Your Fan.....10.
Troubleshooting 11.
Specifications 12.

Table of Contents

1. To reduce the risk of electric shock, insure electricity has been turned off at the circuit breaker or fuse box before beginning.
2. All wiring must be in accordance with the National Electrical Code and local electrical codes. Electrical installation should be performed by a qualified licensed electrician.
3. **WARNING:** To reduce the risk of electrical shock and fire, do not use this fan with any solid-state fan speed control device.
4. **WARNING:** To reduce the risk of personal injury, use only the two steel screws (and lock washers) provided with the outlet box for mounting to the outlet box. Most outlet boxes commonly used for the support of lighting fixtures are not acceptable for fan support and may need to be replaced, consult a qualified electrician if in doubt.
9. To avoid personal injury or damage to the fan and other items, be cautious when working around or cleaning the fan.
10. Do not use water or detergents when cleaning the fan or fan blades. A dry dust cloth or lightly dampened cloth will be suitable for most cleaning.
11. After marking electrical connections, spliced conductors should be turned upward and pushed carefully up into outlet box. The wires should be spread apart with the grounded conductor and the equipment-grounding conductor on one side of the outlet box.
12. Electrical diagrams are reference only. Light kit that are not packed with the fan must be UL Listed and marked suitable for use with the model fan you are installing. Switches must be UL General Use Switches. Refer to the Instructions packaged with the light kits and switches for proper assembly.

WARNING

TO REDUCE THE RISK OF FIRE, ELECTRIC SHOCK OR PERSONAL INJURY, MOUNT FAN TO OUTLET BOX MARKED ACCEPTABLE FOR FAN SUPPORT.

5. The outlet box and support structure must be securely mounted and capable of reliably supporting a minimum of 50 pounds. Use only UL Listed outlet boxes marked **FOR FAN SUPPORT**.
6. The fan must be mounted with a minimum of 7 feet clearance from the trailing edge of the blades to the floor.
7. Do not operate reversing switch while fan blades are in motion. Fan must be turned off and blades stopped before reversing blade direction.
8. Avoid placing objects in the path of the blades.

13. **WARNING:** To reduce the risk of fire, electric shock, and injury to persons, the fan must be installed with the light kit (SKU#518-729, 120-558, 518-806, 178-495, 519-014, 519-078) and blades (SKU#519-096, 519-209, 519-619, 519-652, 519-654, 519-716, 519-721, 519-748, 519-783) that are marked on their cartons to indicate the suitability with the fan. Other light kit and blades cannot be substituted

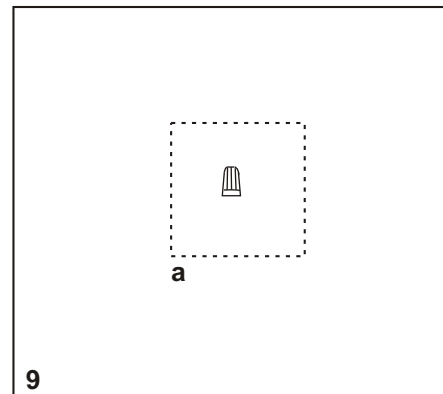
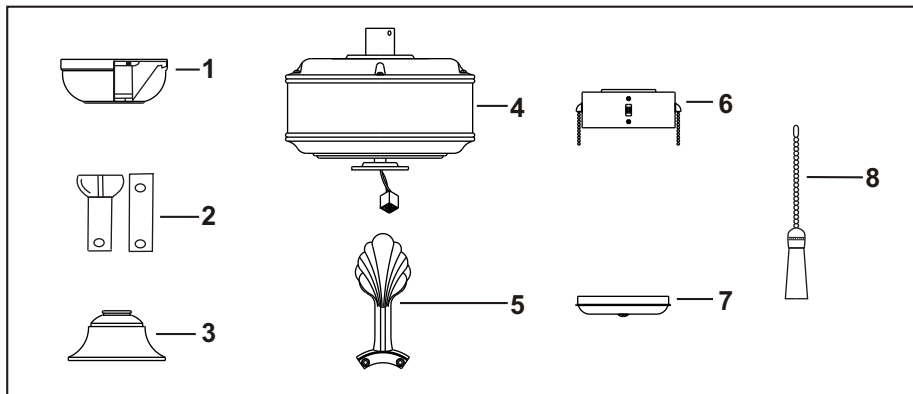
WARNING

TO REDUCE THE RISK OF PERSONAL INJURY, DO NOT BEND THE BLADE BRACKETS (ALSO REFERRED TO AS FLANGES) DURING ASSEMBLY OR AFTER INSTALLATION. DO NOT INSERT OBJECTS IN THE PATH OF THE BLADES.

NOTE

READ AND SAVE ALL INSTRUCTIONS!

1. Safety Rules



Unpack your fan and check the contents. You should have the following items:

- | | |
|---|-------------------------------|
| 1. Canopy assembly | 5. Set of blades brackets (5) |
| 2. Ball/downrod assembly (1)
& extra downrod (1) | 6. Switch housing |
| 3. Collar cover | 7. Switch housing cover |
| 4. Fan motor assembly | 8. Pull chain and fob (2) |

9. Loose parts bag containing:

- a. Mounting hardware
(3 plastic wire connectors)

WARNING
DO NOT INSTALL OR USE FAN
IF ANY PART IS DAMAGED OR MISSING.
CALL TOLLFREE 877-898-1881

Unpacking Your Fan 2.

Tools Required

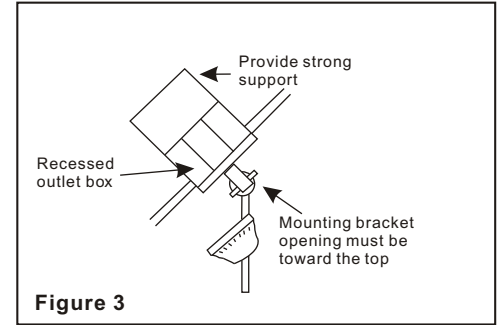
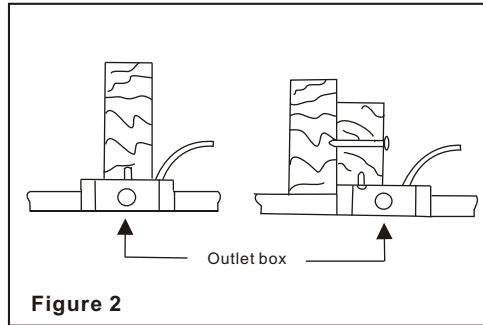
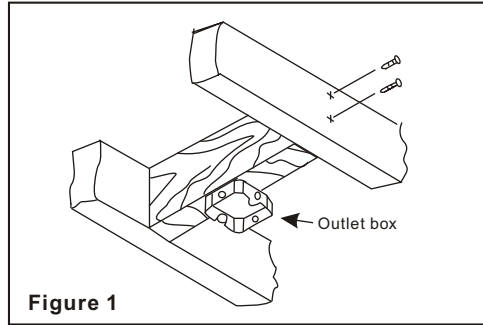
Phillips screwdriver, straight slot screwdriver, adjustable wrench, step ladder, and wire cutters.

Mounting Options

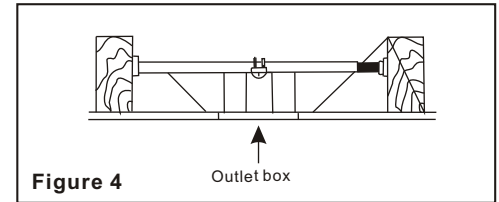
If there isn't an existing UL listed mounting box, then read the following instructions. Disconnect the power by removing fuses or turning off circuit breakers.

Secure the outlet box directly to the building structure. Use appropriate fasteners and building materials. The outlet box and its support must be able to fully support the moving weight of the fan (at least 50 lbs). Do not use plastic outlet boxes.

Figures 1, 2 and 3 are examples of different ways to mount the outlet box.



Note: You may need a longer downrod to maintain proper blade clearance when installing on a steep, sloped ceiling.



To hang your fan where there is an existing fixture but no ceiling joist, you may need an installation hanger bar as shown in Figure 4 (available at your Hampton Bay Retailer).

3. Installing Your Fan

Hanging the Fan

REMEMBER to turn off the power. Follow the steps below to hang your fan properly:

Step 1. Remove the decorative canopy bottom cover from the canopy by turning the cover counter clockwise.(Fig. 5)

Step 2. Remove the hanger bracket from the canopy by loosening the two screws on the bottom of the hanging bracket in 1/4" from the screw head and turning the canopy counter clockwise.(Fig. 5)

Step 3. Pass the 120-volt supply wires through the center hole in the ceiling hanger bracket as shown in Fig. 6.

Step 4. Secure the hanger bracket to the ceiling outlet box with the screws and washers provided with your outlet box.

Step 5. Remove the hanger pin, lock pin and set screws from the top of the motor assembly.

Step 6. Route wires exiting from the top of the fan motor through the collar cover, canopy cover, canopy and then through the ball / downrod.(Fig. 7)

Step 7. Align the holes at the bottom of the downrod with the holes in the collar on top of the motor housing (Fig.7). Carefully insert

the hanger pin through the holes in the collar and downrod. Be careful not to jam the pin against the wiring inside the downrod. Insert the locking pin through the hole near the end of the hanger pin until it snaps into its locked position, as noted in the circle inset of Fig. 7.

WARNING
FAILURE TO PROPERLY INSTALL LOCKING PIN AS NOTED IN STEP 7 COULD RESULT IN FAN LOOSENING AND POSSIBLY FALLING.

Step 8. Tighten two set screws on top of the fan motor firmly (Figure 7)

Step 9. Place the downrod ball into the hanger bracket socket.

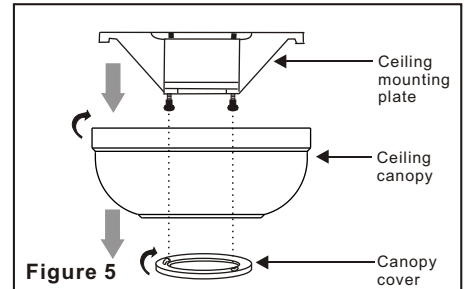
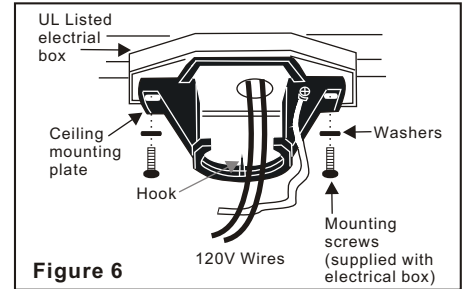
CHANGING THE DOWNROD (OPTIONAL)

NOTE: Your fan comes with a 5" downrod attached to the hanger ball. In addition you have been provided with a 7" downrod to use if desired. If you choose to use the 7" downrod, perform the following steps:

1. Remove the hanger ball from the 5" downrod by loosening the set screw at the top of the downrod which holds the hanger ball to the downrod.
2. Slide the hanger ball down the downrod and remove the support pin.
3. Insert the support pin in the holes at the top of the 7" downrod and slide the hanger ball

up the 7" downrod. Make sure the support pin is properly seated in the grooves in the top of the hanger ball.

4. Tighten the set screw firmly.



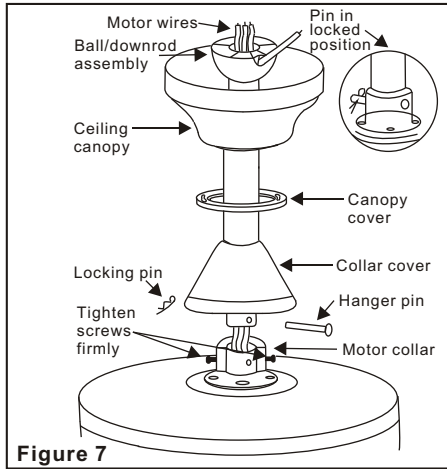


Figure 7

Making the Electrical Connections

Remember to disconnect the power.

Follow the steps below to connect the fan to your household wiring. Use the wire connecting nuts supplied with your fan. Secure the connectors with electrical tape. Make sure there are no loose strands or connections.

Step 1 Connect the fan supply (black) wire and light supply (blue) wire to the black household supply wire as shown in Figure 8.

Step 2. Connect the netura fan (white) wire to the white netura household wire.

Step 3 Connect the fan ground wire (green) to the household ground wire.

Step 4 After connecting the wires, spread them apart so that the green and white wires are on one side of the outlet box and the black and the blue wires are on the other side.

Step 5 Turn the connecting nuts upward and push the wiring into the outlet box.

Figures 9 and 10 illustrate the wiring connections for optional wall control (available at your Hampton Bay Retailer, the wire color out of wall control may vary, see wall control's installation manual for correct wire connections.)

NOTE
LIGHT KITS ARE AVAILABLE AT YOU
HAMPTON BAY RETAILER. THE FAN IS
ALREADY WIRED TO SUPPORT THE LIGHT KIT
OPTION.

WARNING
TO REDUCE THE RISK OF FIRE, ELECTRIC SHOCK,
OR OTHER PERSONAL INJURY. MOUNT FAN
ONLY ON AN OUTLET BOX OR SUPPORTING
SYSTEM MARKED ACCEPTABLE FOR FAN
SUPPORT.

TO REDUCE THE RISK OF FIRE OR ELECTRIC
SHOCK. DO NOT USE THIS FAN WITH ANY SOLID-
STATE SPEED CONTROL DEVICE.

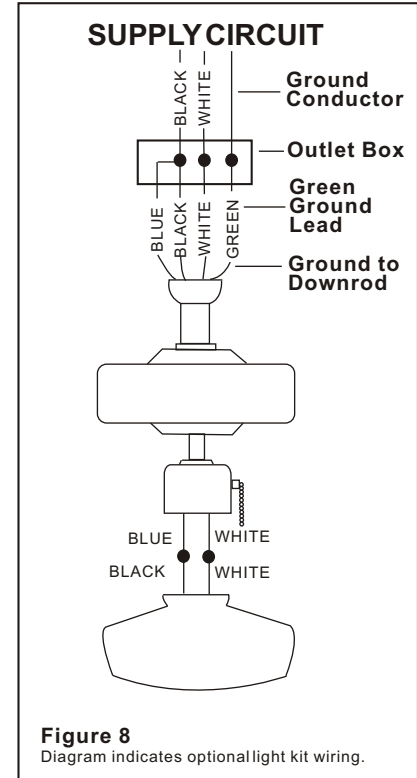
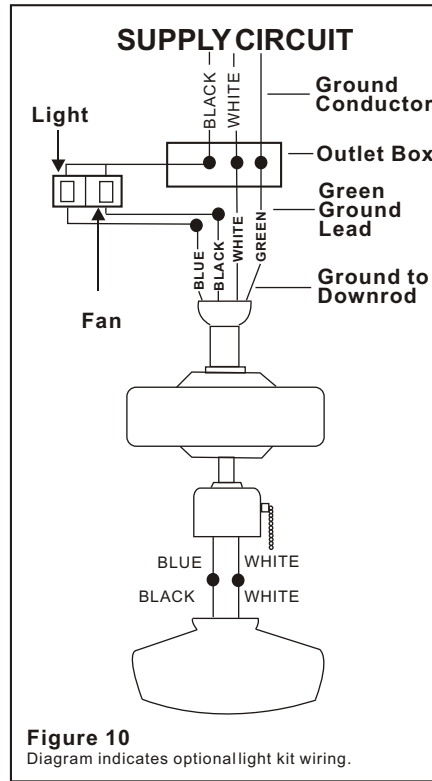
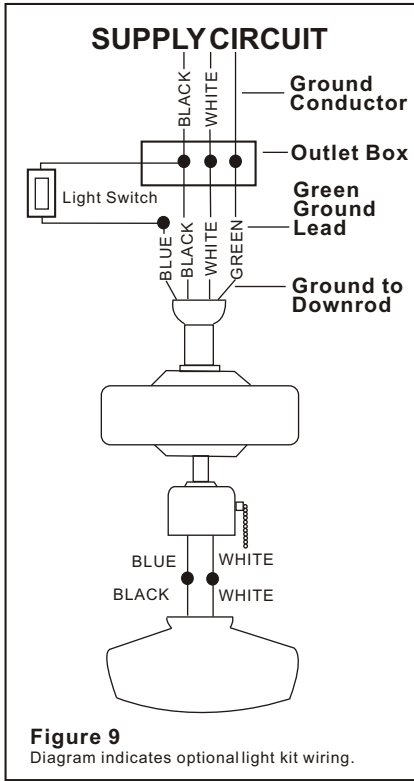


Figure 8

Diagram indicates optional light kit wiring.

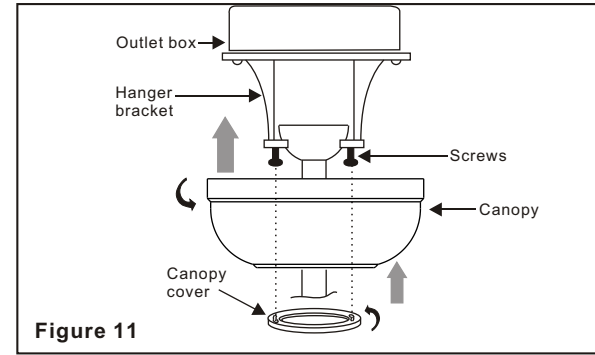


Finishing the Installation

Step 1. Slide the canopy up to the ceiling and over the 2 screws on the hanger bracket. Rotate canopy to lock in place. Next, while holding the canopy with one hand, slide the canopy cover up and over the screws, rotate and lock in place.

NOTE: Adjust the canopy screws as necessary until the canopy and canopy cover are snug. (Fig. 11)

WARNING
MAKE SURE TAB AT BOTTOM OF HANGER BRACKET IS HANGER PROPERLY SEATED IN GROOVE OF HANGER BALL BEFORE ATTACHING CANOPY TO BRACKET. FAILURE TO PROPERLY SEAT TAB IN GROOVE COULD CAUSE DAMAGE TO ELECTRICAL WIRING.



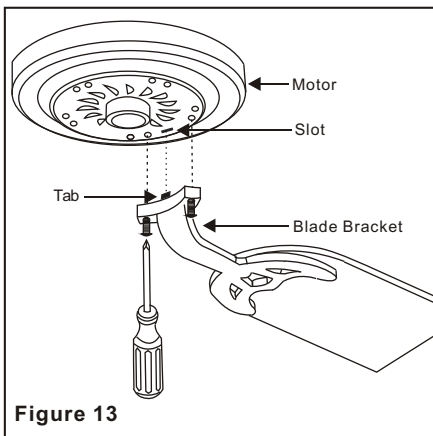
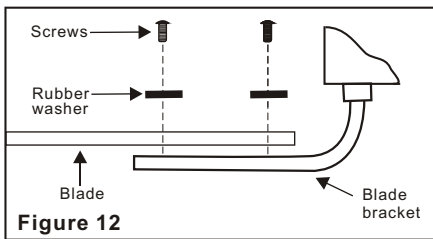
Attaching the Fan Blades (Optional)

Step 1 Attach blades to blade brackets using three screws and fiber washers as shown in Figure 12. Start a screw into the bracket, do not tighten. Repeat for the 2 remaining screws and washers.

Step 2 Tighten each screw securely starting with the center screw. Make sure the blade is straight.

Step 3 Fasten the blade assemblies to the motor by inserting the tab from the blade brackets to the slot in the bottom motor housing, then tighten the two screws and washers already installed in the blade brackets (Figure 13).

Step 4 Install an optional light kit if you wish. Follow the instructions included with the kit.



All blades are grouped by weight. Because natural woods vary in density, the fan may wobble even though the blades are weight matched.

The following procedure should correct most fan wobble. Check after each step.

1. Check that all blade and blade bracket screws are secure.
2. Most fan wobble problems are caused when blade levels are unequal. Check this level by selecting a point on the ceiling above the tip of one of the blades. Measure this distance as shown in Figure 14. Rotate the fan until the next blade is positioned for measurement. Repeat for each blade. The distance should be equal within 1/8".

If all blade levels are not equal, you can adjust the blade level with the following procedure.

To Adjust the blade tip down, insert a washer (not supplied) between the blade and blade bracket at the screw closest to the motor (Figure 15)

To adjust the blade tip up, insert a washer (not supplied) between the blade and blade bracket at the two screws farthest from the motor (Figure 15)

3. Use the enclosed Blade Balancing Kit if the blade wobble is still noticeable.

4. If the blade wobble is still noticeable, interchanging two adjacent (side by side) blades can redistribute the weight and possibly result in smoother operation.

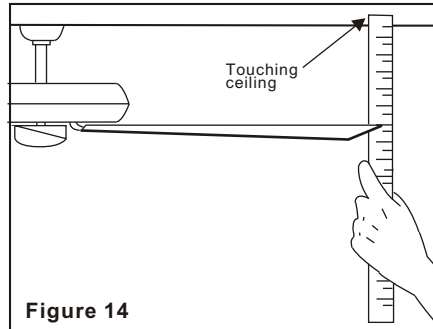


Figure 14

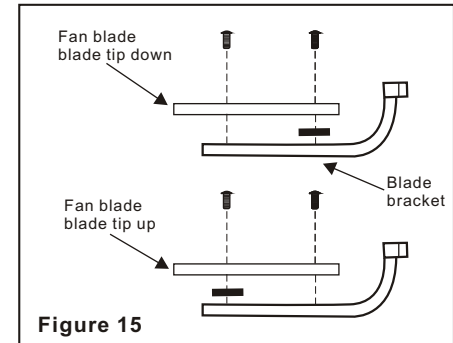


Figure 15

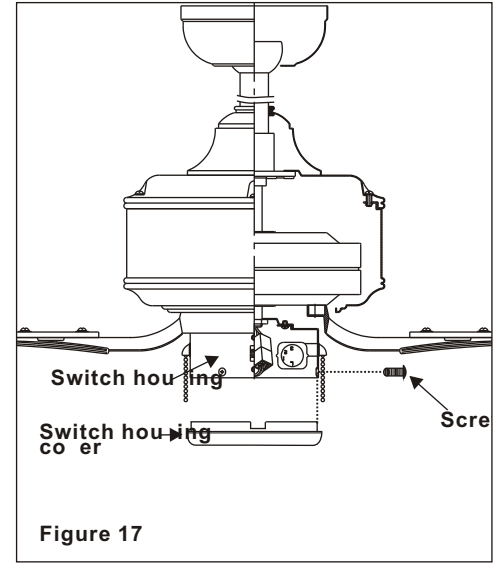
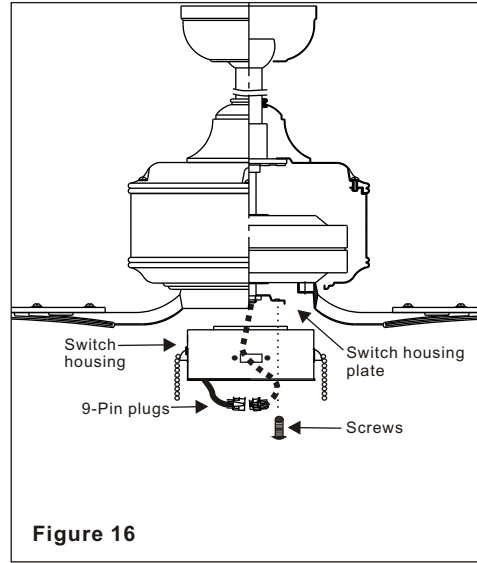
WARNING

**TO REDUCE THE RISK OF PERSONAL INJURY,
DO NOT BEND THE BLADE HOLDERS
WHILE INSTALLING, BALANCING THE
BLADES, OR CLEANING THE FAN. DO NOT
INSERT FOREIGN OBJECTS BETWEEN
ROTATING FAN BLADES.**

NOTE: Before starting installation, disconnect the power by turning off the circuit breaker or removing the fuse at fuse box.

Turning power off using the fan switch is not sufficient to prevent electric shock.

1. Remove the 1 of 3 screws from the switch housing plate and keep it for future use. Loosen the other 2 screws (Do not remove)
2. Install the switch housing to the switch housing plate by feeding the wires from fan through the hole of switch housing, then place the switch housing keyholes over the 2 screws previously loosened from the switch housing plate, turn switch housing until it locks in place at the narrow section of the key holes. Secure by tightening the 2 screws previously loosened and the one previously removed. (Figure 16)
3. Make wire connections: Connect the 9-pin plug from the fan to the 9-pin plug from the switch housing. (Figure 16)
4. Carefully push all wires back into the switch housing, then install the switch housing cover by aligning its keyhole slots with the three screws holes and reversing switch on the side of switch housing. Tighten the three screws securely. (Figure 17)



9. Installing the Switch Housing

NOTE
WAIT FOR FAN TO STOP BEFORE
CHANGING THE SETTING OF THE
SLIDE SWITCH.

Turn on the power and check the operation of your fan. There are three pull chains available in your fan:

1. 3-speed pull chain- it controls the fan speed as follows: 1 pulls- High, 2 pulls- Medium, 3 pulls- Low, and 4 pulls- Off.

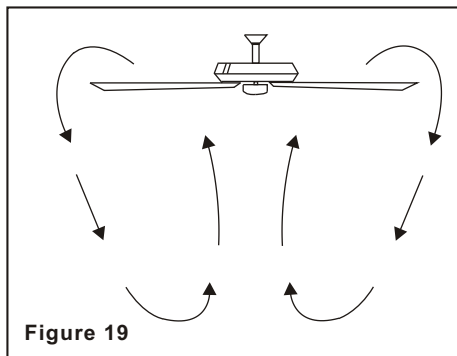
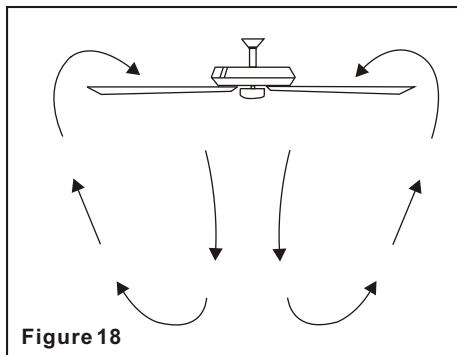
Speed settings for warm or cool weather depend on factors such as the room size, ceiling height, number of fans, and so on.

2. Light kit pull chain- it controls the light kit in "ON" or "OFF".

The slide switch controls directions: forward (switch left) or reverse (switch right).

Warm weather - (Forward) A downward air flow creates a cooling effect as shown in Figure 18. This allows you to set your air conditioner on a higher setting without affecting your comfort.

Cool weather - (Reverse) An upward airflow moves warm air off the ceiling area as shown in Figure 19. This allows you to set your heating unit on a lower setting without affecting your comfort.



Here are some suggestions to help you maintain your fan

1. Because of the fan's natural movement, some connections may become loose. **Check the support connections, brackets, and blade attachments twice a year.** Make sure they are secure. **(It is not necessary to remove fan from ceiling.)**
2. Clean your fan periodically to help maintain its new appearance over the years. Use only a soft brush or lint-free cloth to avoid scratching the finish. The plating is sealed with a lacquer to minimize discoloration or tarnishing. Do not use water when cleaning. This could damage the motor, or the wood, or possibly cause an electrical shock.
3. You can apply a light coat of furniture polish to the wood blades for additional protection and enhanced beauty. Cover small scratches with a light application of shoe polish.
4. **There is no need to oil your fan.** The motor has permanently lubricated bearings.

IMPORTANT
 MAKE SURE THE POWER IS OFF AT THE
 ELECTRICAL PANEL BOX BEFORE YOU ATTEMPT
 ANY REPAIRS. REFER TO THE
 SECTION "MAKING ELECTRICAL CONNECTIONS"

Operating Your Fan 10.

Problem

Solution

Fan will not start.

1. Check circuit fuses or breakers.
2. Check line wire connections to the fan and switch wire connections in the switch housing.
CAUTION: Make sure main power is off.

Fan sounds noisy.

1. Make sure all motor housing screws are snug.
2. Make sure the screws that attach the fan blade bracket to the motor hub is tight.
3. Make sure wire nut connections are not rubbing against each other or the interior wall of the switch housing.
CAUTION: Make sure main power is off.
4. Allow a 24-hour "breaking-in" period. Most noise associated with a new fan disappears during this time.
5. If using an optional light kit, make sure the screws securing the glassware are tight. Check that light bulb is also secure.
6. Some fan motors are sensitive to signals from solid-state variable speed controls.
If you have installed this type of control, choose and install another type of control.
7. Make sure the upper canopy is a short distance from the ceiling. **It should not touch the ceiling.**

11. Troubleshooting

Fan with Leaf Blades (blade sold separately)

Fan Size	Speed	Volts	Amps	Watts	RPM	CFM	N.W.	G.W.	C.F.
52"	Low	120					Kgs	Kgs	'
	Medium	120							
	High	120							

Fan with Bamboo Blades (blade sold separately)

Fan Size	Speed	Volts	Amps	Watts	RPM	CFM	N.W.	G.W.	C.F.
52"	Low	120					Kgs	Kgs	'
	Medium	120							
	High	120							

These are typical readings. Your actual fan may vary. They do not include Amps and Wattage used by the light kit.

© 2004 Hampton Bay & Fan Lighting Co.
 2455 Paces Ferry Road
 Atlanta, Georgia 30339
 All Rights Reserved

Specifications 12.