

Model: 116421

120 V~ 60 Hz 104.9 W

**Read and follow all the instructions
before using this product.**

116 421



Nepal 52 in Ceiling Fan Owner's Manual

**Nepal
Ventilador de Techo de 1,32 m
Manual del Propietario**



HOME DECORATORS COLLECTION

Congratulations on your purchase of a Home Decorators Collection ceiling fan. Your new fan will be a beautiful addition to your home, and will keep you comfortable throughout the year.

The Home Decorators Collection Fan Company offers a wide variety of ceiling fans. We offer combinations of wood and brass finishes, solid designer colors, and our unique glass and crystal designs.

A large selection of light fixtures and light kits is also available. Ask your dealer about other accessories that will allow you to further customize your fan.

We're certain that your Home Decorators Collection fan will provide you with many years of comfort, energy savings and satisfaction. To ensure your personal safety and to maximize the performance of your fan, please read this manual thoroughly.

Nepal by Home Decorators Collection

VENTILADOR DE TECHO/CEILING FAN

Marca/Brand: HDC

Modelo/Model: **116421**

120 V~ 60 Hz 104.9 W



Consumo de energía por unidad de tiempo en operación (Energy Consumption): 96.83 Wh

Consumo de energía por unidad de tiempo en modo de espera (Energy Consumption in stand by mode): 0.23 Wh

Importador/Importer: **SERVICIOS HOME DEPOT, S. DE R.L. DE C.V.**
Ricardo Margain 605, Santa Engracia, San Pedro Garza García, Nuevo León,
C.P. 66267 Tel./Phone: 01 800 004 6633

Lea y siga todas las instrucciones de seguridad y operación antes de usar este aparato/ Read and follow all the instructions of security and operation before using this product

Cont. 1 Ventilador / Fan
Requiere ensamblaje /Assembly required

Hecho en/Made in: China

52” Nepal Ceiling Fan by HDC

Thank you for purchasing our ceiling fan. This product has been manufactured with the highest standards of safety and quality.

Date Purchased _____

Store Purchased _____

Model No. _____ 116-421

Serial No. _____

Vendor No. _____ 548810

UPC _____ 792145367444

Table of Contents

Safety Rules	1
Unpacking Your Fan	2
Installing Your Fan	3
Installing the Light Kit.	12
Operating Your Transmitter	13
Care of Your Fan	15
Troubleshooting	15
Specifications	16

Safety Rules - Read and Save These Instructions

1. To reduce the risk of electric shock, insure electricity has been turned off at the circuit breaker or fuse box before beginning.
2. All wiring must be in accordance with the National Electrical Code “ANSI/NFPA 70-1999” and local electrical codes. Electrical installation should be performed by a qualified licensed electrician.
3. **WARNING:** To reduce the risk of electrical shock or fire, do not use this fan with any solid-state fan speed control device. It will permanently damage the electronic circuitry.
4. **CAUTION:** To reduce the risk of personal injury, use only the screws provided with the outlet box.
5. The outlet box and support structure must be securely mounted and capable of reliably supporting a minimum of 35 pounds, Use only NOM Listed outlet boxes marked “**FOR FAN SUPPORT**”.
6. The fan must be mounted with a minimum of 7 feet clearance from the trailing edge of the blades to the floor.
7. Avoid placing objects in the path of the blades.
8. To avoid personal injury or damage to the fan and other items, be cautious when working around or cleaning the fan.
9. Do not use water or detergents when cleaning the fan or fan blades. A dry dust cloth or lightly dampened cloth will be suitable for most cleaning.
10. After making electrical connections, spliced conductors should be turned upward and pushed carefully up into outlet box. The wires should be spread apart with the grounded conductor and the equipment-grounding conductor on one side of the outlet box and ungrounded conductor on the other side of the outlet box.
11. All set screws must be checked and retightened where necessary before installation.
12. The appliance is not to be used by persons (including children) with reduced physical, sensory or mental capabilities, or lack of experience and knowledge, unless they have been given supervision or instruction.
13. This device complies with part 15 of the FCC Rules. Operation is subject to the following two conditions: (1) This device may not cause harmful interference, and (2) this device must accept any interference received, including interference that may cause undesired operation.

WARNING

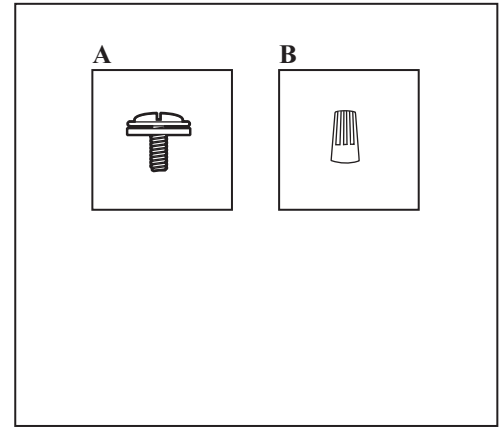
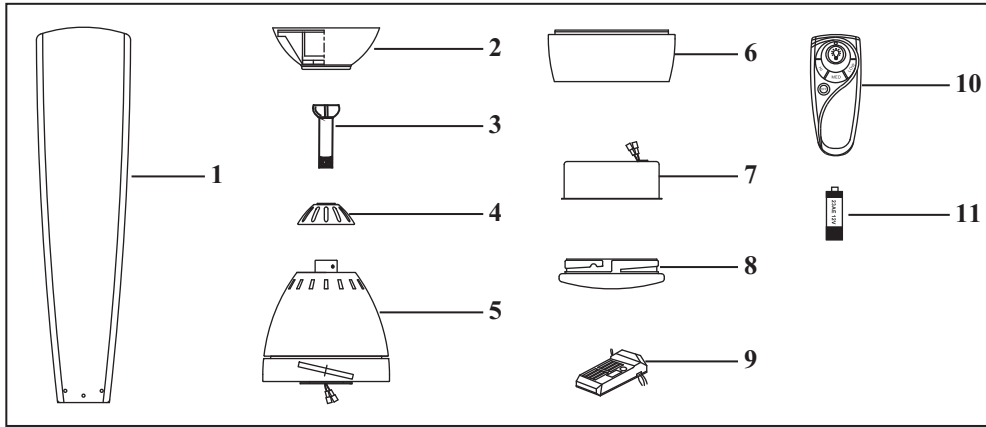
TO REDUCE THE RISK OF PERSONAL INJURY, DO NOT BEND THE BLADE ARMS (ALSO REFERRED TO AS FLANGES), WHEN INSTALLING THE BRACKETS, BALANCING THE BLADES OR CLEANING THE FAN. DO NOT INSERT FOREIGN OBJECTS IN – BETWEEN ROTATING FAN BLADES.

WARNING

TO REDUCE THE RISK OF FIRE, ELECTRIC SHOCK OR PERSONAL INJURY, MOUNT FAN TO OUTLET BOX MARKED ACCEPTABLE FOR FAN SUPPORT WITH THE SCREWS PROVIDED WITH THE OUTLET BOX.

Unpacking Your Fan

Unpack your fan and check the contents. You should have the following items:



1. Set of blades (3)
2. Canopy assembly
3. Ball/downrod assembly
4. Coupling cover
5. Fan motor assembly
6. Mounting plate
7. Light kit
8. Glass shade
9. Receiver with 6 wire nuts
10. Transmitter+holder+2 mounting screws
11. 12V MN21/A23 battery

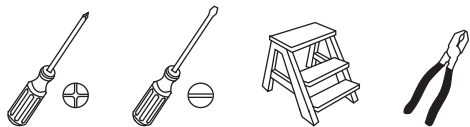
- A. Blade Attachment Hardware
(10 Screws and fiber washer)
- B. Electrical Hardware
(3 Plastic Wire Nuts)

WARNING
DO NOT INSTALL OR USE FAN IF ANY
PART IS DAMAGED OR MISSING.
CALL TOLL FREE 01-800-004-6633.

Installing Your Fan

Tools Required

Phillips screwdriver, straight slot screwdriver, step ladder and wire cutters.



Mounting Options

If there isn't an existing NOM listed mounting box, then read the following instructions. Disconnect the power by removing fuses or turning off circuit breakers.

Secure the outlet box directly to the building structure. Use appropriate fasteners and building materials. The outlet box and its support must be able to fully support the moving weight of the fan (at least 35 lbs). Do not use plastic outlet boxes.

WARNING

TO REDUCE THE RISK OF FIRE, ELECTRIC SHOCK OR PERSONAL INJURY, MOUNT FAN ONLY TO AN OULET BOX MARKED ACCEPTABLE FOR FAN SUPPORT AND USE THE MOUNTING SCREWS PROVIDED WITH THE OULET BOX. OULET BOX COMMONLY USED FOR THE SUPPORT OF LIGHTING FIXTURE MAY NOT BE ACCEPTABLE FOR FAN SUPPORT AND MAY NEED TO BE REPLACED. CONSULT A QUALIFIED ELECTRICIAN IF IN DOUBT.

Figures 1~3 are examples of different ways to mount the outlet box.

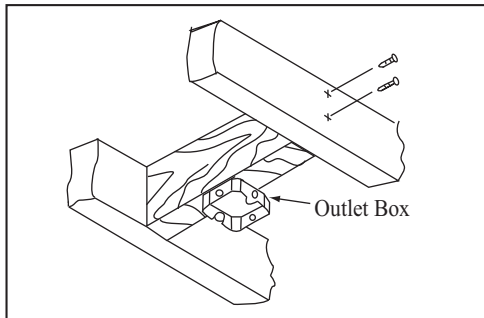


Figure 1

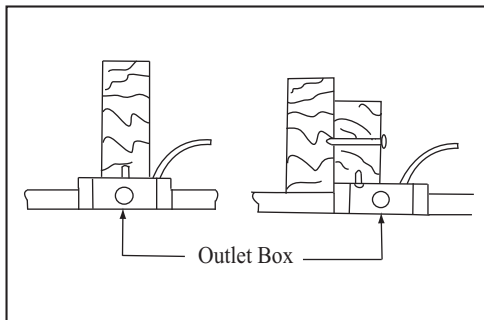


Figure 2

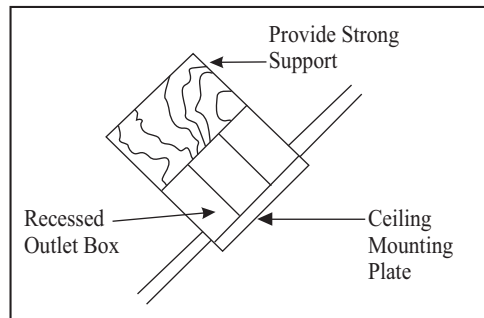


Figure 3

Note: You may need a longer downrod to maintain proper blade clearance when installing on a steep, sloped ceiling. The maximum angle allowable is 18°. If the canopy touches downrod, remove the decorative canopy bottom cover and turn the canopy 180° before attaching the canopy to the mounting plate.

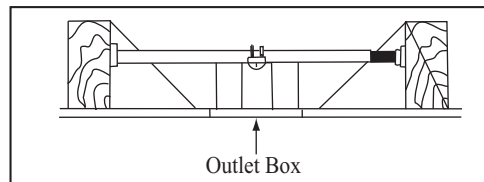


Figure 4

To hang your fan where there is an existing fixture but no ceiling joist, you may need an installation hanger bar as shown in Figure 4 (available at any Home Depot store).

Hanging the Fan

REMEMBER to turn off the power. Follow the steps below to hang your fan properly.

NOTE: This ceiling fan is supplied with two types of hanging assemblies; the standard ceiling installation using the downrod with ball and socket mounting, and the "close-to-ceiling" mounting. The "close-to-ceiling" mounting is recommended in rooms with less than 8-foot ceilings or in areas where additional space is desired from the floor to the fan blades.

When using the standard downrod installation, the distance from the ceiling to the bottom of the fan blades will be approximately 12 inches. The "close-to-ceiling" installation reduces the distance from the ceiling to the bottom of the fan blades to approximately 9 inches.

Once you have decided which ceiling installation you will use, proceed with the following instructions. Where necessary, each section of the instructions will note the different procedures to follow for the two types of installation.

Option 1: Standard Ceiling Mounting

1. Remove the canopy ring from the canopy. (Figure 5)

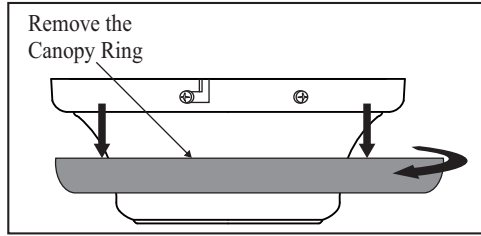


Figure 5

2. Remove the mounting bracket from the canopy by loosening the four screws on the top of the canopy. Remove the two non-slotted screws and loosen the slotted screws. (Figure 6)

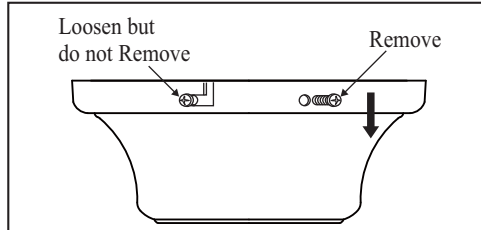


Figure 6

3. Remove the clevis pin, cotter pin and set screws from the top of the motor assembly. (Figure 7)
4. Take out the setscrew located in the hanger ball, lower the hanger ball and remove the cross pin. Remove the hanger ball from the hanger ball/downrod assembly. (Figure 7)

NOTE: If a longer downrod is needed, take out the screw located in the hanger ball, lower the hanger ball and remove the pin, remove all 3 pieces from the downrod and assemble them onto the new longer downrod before proceeding step 3. (The longer downrod is available at any Home Depot store)

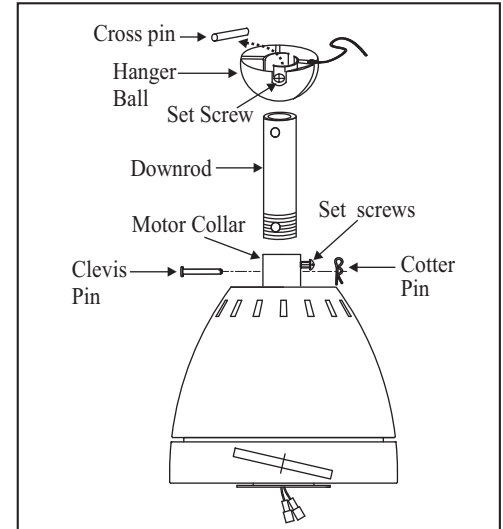


Figure 7

6. Carefully feed the motor wires up through the downrod. Thread the downrod into the collar. Align the holes and replace the clevis pin and cotter pin. Tighten the two collar setscrews. (Figure 8)
7. Slip coupling cover, canopy ring, and canopy onto the downrod. Carefully reinstall the hanger ball onto the downrod, being sure that the cross pin is in the correct position, the setscrew is tightened and wires are not twisted. (Figure 8)

WARNING

FAILURE TO PROPERLY INSTALL CLEVIS PIN AS NOTED IN STEP 5 COULD RESULT IN FAN LOOSENING AND POSSIBLY FALLING.

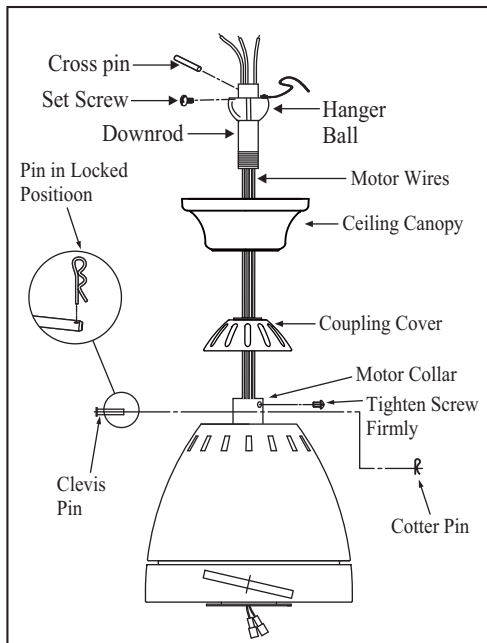


Figure 8

Option 2: Close-to-Ceiling Mounting

1. Remove the canopy ring from the canopy. (Figure 5)
2. Remove the mounting bracket from the canopy by loosening the four screws on the top of the canopy. Remove the two non-slotted screws and loosen the slotted screws. (Figure 6)

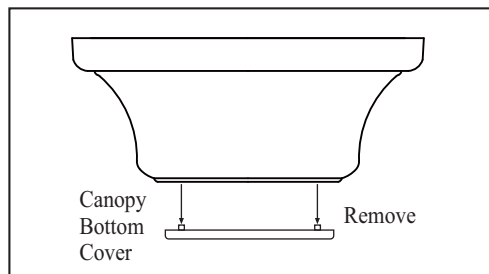


Figure 9

3. Remove the decorative canopy bottom cover from the canopy. (Figure 9)
4. Remove three of the six screws and lock washers (every other one) from the collar of top motor. (Figure 10)

5. Route the wires exiting the top of the fan motor through the canopy ring (make sure the slot openings are on top), then proceed to place the canopy ring and ceiling canopy over the collar at the top of the motor. (Figure 11)
6. Align the mounting holes with the holes in the motor and fasten using the screws and lock washers removed in step 4. (Figure 11)
7. Tighten the mounting screws security.

WARNING

FAILURE TO COMPLETELY TIGHTEN THE THREE SCREWS IN STEP 7 COULD RESULT IN FAN LOOSENING AND POSSIBLY FALLING.

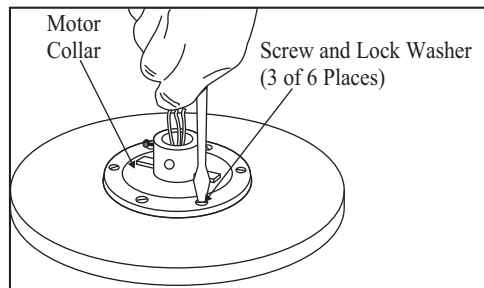


Figure 10

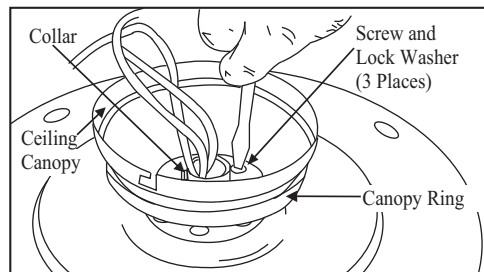


Figure 11

Installing Fan to the Electrical Box

WARNING

TO REDUCE THE RISK OF FIRE, ELECTRIC SHOCK OR OTHER PERSONAL INJURY, MOUNT FAN ONLY TO AN OUTLET BOX OR SUPPORTING SYSTEM MARKED ACCEPTABLE FOR FAN SUPPORT AND USE THE MOUNTING SCREWS PROVIDED WITH THE OUTLET BOX.

1. Pass the 120-volt supply wires through the center hole in the mounting bracket. (Figure 12)
2. Attach the mounting bracket on the outlet box by sliding the mounting bracket over the screws provided with the outlet box. (Figure 12) When using “close-to-ceiling” mounting, it is important that the mounting bracket be level. If necessary, use leveling washers (not included) between the mounting bracket and the outlet box. Note that the flat side of the mounting bracket is toward the outlet box. (Figure 12)
3. Securely tighten the two mounting screws.

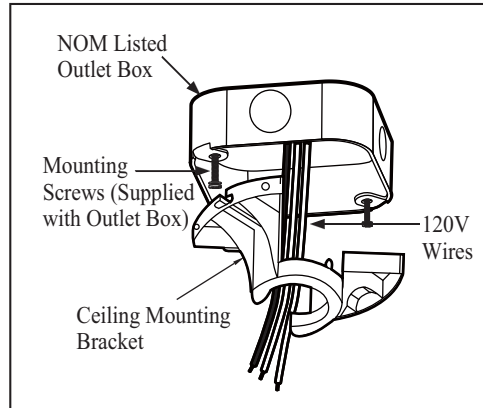


Figure 12

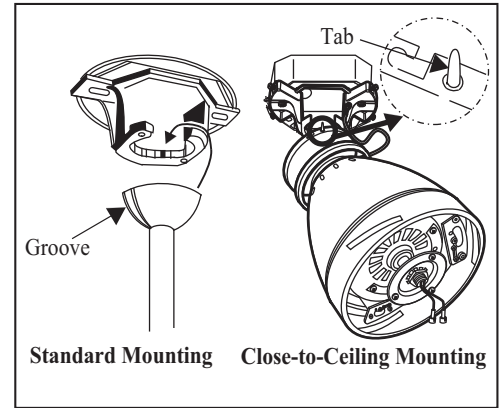


Figure 13

4. Carefully lift the fan assembly up to the ceiling mounting bracket and hang the fan on the tab provided by utilizing one of the holes at the outer rim of the ceiling canopy. (Figure 12) If use standard mounting, seat the hanger ball in the mounting bracket socket. Make sure the tab on the mounting bracket socket is properly seated in the groove in the hanger ball. (Figure 13)

WARNING

THE TAB AS SHOWN IN FIGURE 12 IS ONLY TO BALANCE THE FAN WHILE ATTACHING WIRING. FAILURE TO HANG AS SHOWN IN FIGURE 12 MAY RESULT IN TAB BREAKING CAUSING THE FAN TO FALL. TAB MUST PASS FROM INSIDE TO OUTSIDE OF CANOPY.

WARNING

WHEN USING THE STANDARD BALL/ DOWN-ROD MOUNTING, THE TAB IN THE RING MUST REST IN THE GROOVE OF THE HANGER BALL. FAILURE TO PROPERLY SEAT THE TAB IN THE GROOVE COULD CAUSE DAMAGE TO WIRING.

Making the Electrical Connections

WARNING

TO AVOID POSSIBLE ELECTRICAL SHOCK, BE SURE ELECTRICITY IS TURNED OFF AT THE MAIN FUSE BOX BEFORE WIRING.

If you feel you do not have enough electrical wiring knowledge or experience, have your fan installed by a licensed electrician.

Follow the steps below to connect the fan to your household wiring. Use the wire nuts supplied with your fan. Secure the wire nuts with electrical tape. Make sure there are no loose strands or connections.

This remote control unit is equipped with 16 code combinations to prevent possible interference from or to other remote units. The frequency switches on your receiver and transmitter have been preset at the factory. Please recheck to make sure the switches on the transmitter and the receiver are set to the same position, any combination of settings will operate the fan as long as the transmitter and receiver are set to the same position. (Figure 14)

1. Insert the receiver into the mounting bracket with the flat side of the receiver facing the ceiling as Figure 15.

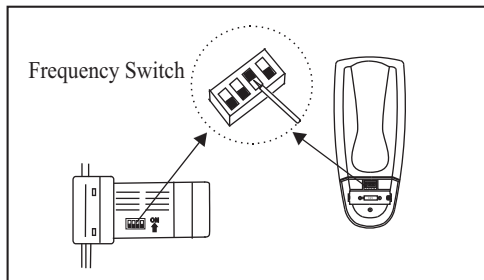


Figure 14

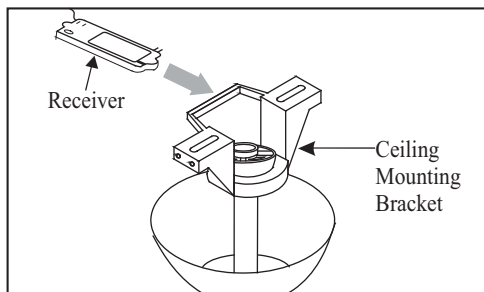


Figure 15

2. (Figure 16) Motor to receiver electrical connections: Connect the black wire from the fan to black wire marked "TO MOTOR L". Connect the white wire from the fan to the white wire marked "TO MOTOR N" from the receiver. Connect the blue wire from the fan to the blue wire marked "For Light" from the receiver. Secure the wire connections with the plastic wire connecting nuts provided.

3. (Figure 16) Receiver to house supply wires electrical connections: Connect the black (hot) wire from the ceiling to the black wire marked "AC in L" from the receiver. Connect the white (neutral) wire from the ceiling to the white wire marked "AC in N" from the receiver. Secure the wire connections with the plastic wire connecting nuts provided.
4. (Figure 16) If your outlet box has a ground wire (green or bare copper) connect it to the fan ground wires; otherwise connect the hanging bracket ground wire to the mounting bracket. Secure the wire connection with a plastic nut provided. After connecting the wires spread them apart so that the green and white wires are on one side of the outlet box and black and blue wires are on the other side. Carefully tuck the wire connections up into the outlet box.

NOTE

FAN MUST BE INSTALLED AT A MAXIMUM DISTANCE OF 20 FEET FROM THE TRANSMITTING UNIT FOR PROPER SIGNAL TRANSMISSION BETWEEN THE TRANSMITTING UNIT AND THE FAN'S RECEIVING UNIT.

CAUTION

DO NOT USE WITH WALL LIGHT DIMMER SWITCH.

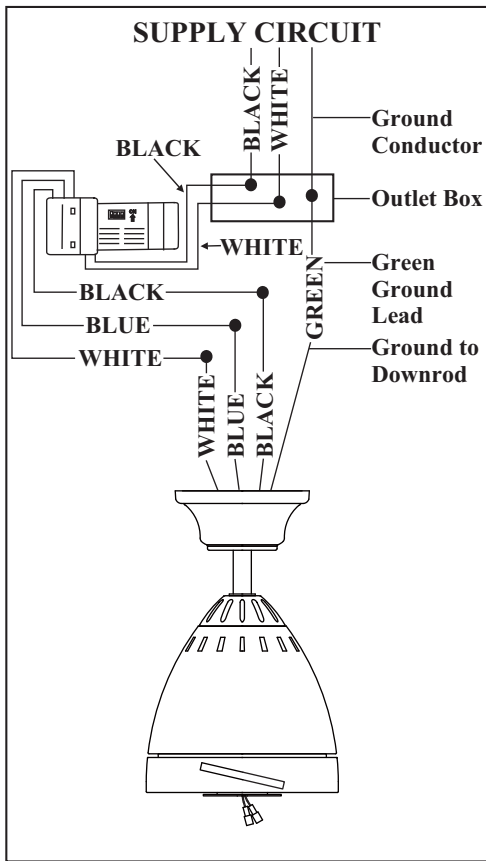


Figure 16

Finishing the Fan Installation

Standard Ceiling Mounting

WARNING

LOCKING SLOTS OF CEILING CANOPY ARE PROVIDED ONLY AS AN AID TO MOUNTING. DO NOT LEAVE FAN ASSEMBLY UNATTENDED UNTIL ALL FOUR CANOPY SCREWS ARE ENGAGED AND FIRMLY TIGHTENED.

Slide canopy up to the ceiling as shown in Figure 17. Make sure you place the wires safely into the outlet box. Secure the canopy to the mounting bracket with the four screws with your fan. Slide the canopy ring over the canopy and tighten by turning the canopy ring.

WARNING

MAKE SURE THE TAB ON THE MOUNTING BRACKET PROPERLY SITS IN THE GROOVE IN THE HANGER BALL BEFORE ATTACHING THE CANOPY TO THE BRACKET BY TURNING THE HOUSING UNTIL IT DROPS INTO PLACE.

Close-to-Ceiling Mounting

Remove the fan from the hook on the mounting bracket. Secure the canopy to the mounting bracket with four screws included with your fan. (Fig. 18) Slide the canopy ring over the canopy and tighten by turning the canopy ring.

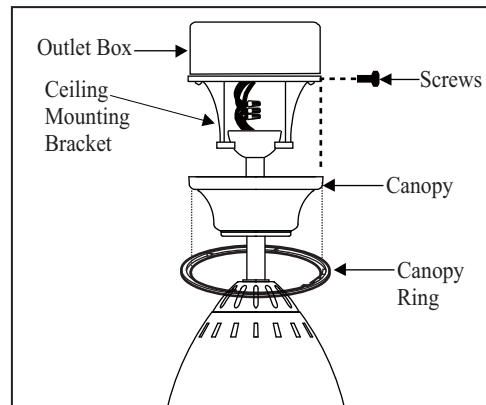


Figure 17

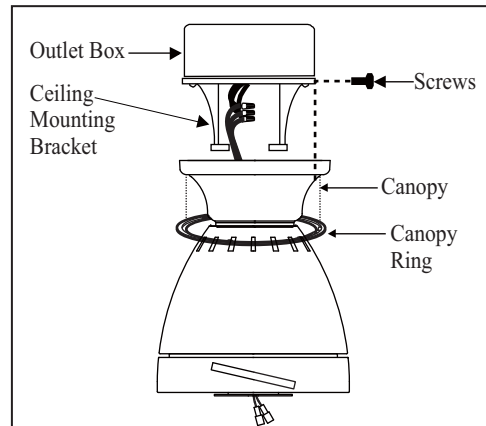


Figure 18

Attaching the Fan Blades

1. Insert the blade through the slot in the motor housing. Align the holes in the blade and the fan motor assembly and secure the blade in place with screws and fiber washer provided. (Fig. 19)
2. Repeat this process to attach the other blade assemblies.

WARNING

TO REDUCE THE RISK OF PERSONAL INJURY, DO NOT BEND THE BLADES WHILE INSTALLING, BALANCING THE BLADES, OR CLEANING THE FAN. DO NOT INSERT FOREIGN OBJECTS BETWEEN ROTATING FAN BLADES.

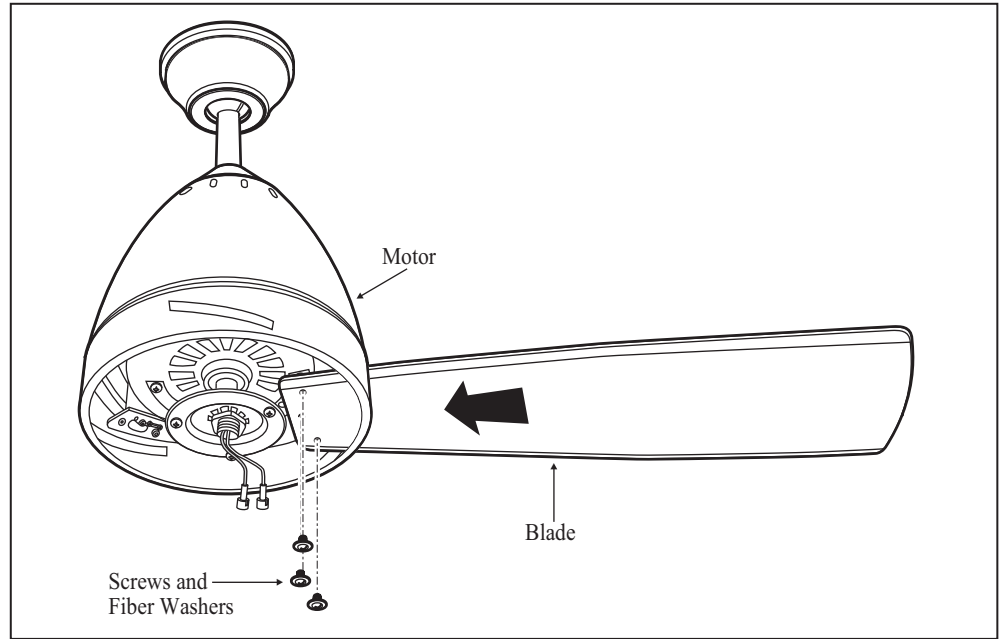


Figure 19

Blade Balancing

All blades are grouped by weight during assembly. The following procedure should correct most fan wobble. Check after each step.

1. Verify that all blades and blade bracket screws are secure (most fan wobble problems are caused by loose parts). Once the fan is properly installed, run the ceiling fan for 10 minutes to let the fan self-adjust.
2. If wobble occurs after running the fan for 10 minutes, verify blade level using the following process:
 - Select a point on the ceiling above the tip of one of the blades, then select any fan blade and measure from the center of the selected blade to the point on the ceiling (as shown in Figure 20). Rotate the fan until the next blade is positioned and repeat the measurement using the same point from the ceiling for every blade. Measurement deviations should be within $1/8''$.
 - If all deviations are less than $1/8''$ and the fan continues to wobble, please call Customer Service (01-800-004-6633) to order a complimentary Blade Balancing Kit.

If deviation is greater than $1/8''$, please call Customer Service (01-800-004-6633) to order complimentary replacements of your brackets.

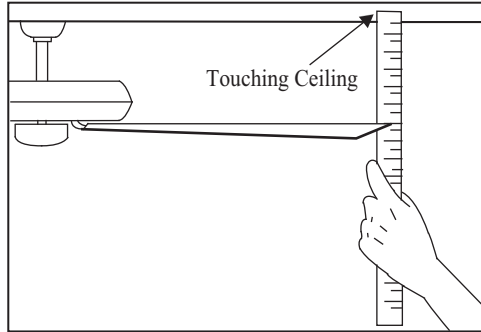


Figure 20

Installing the Mounting Plate

1. Remove 1 of the 3 screws from the mounting ring and loosen the other 2 screws. (Do not remove)
2. Place the key holes on the mounting plate over the 2 screws previously loosened from the mounting ring, turn mounting plate until it locks in place at the narrow section of the key holes. Secure by tightening the 2 screws previously loosened and the one previously removed. (Figure 21)

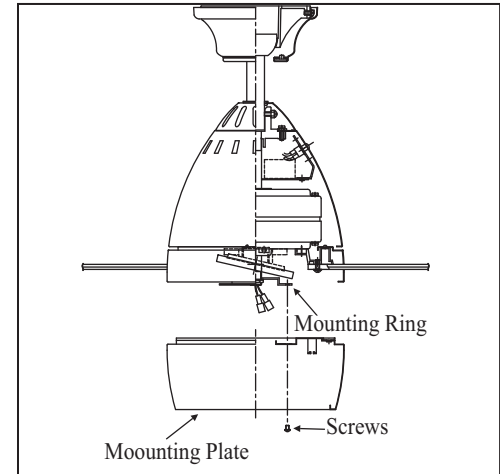


Figure 21

Installing the Light Kit

CAUTION

BEFORE STARTING INSTALLATION, DISCONNECT THE POWER BY TURNING OFF THE CIRCUIT BREAKER OR REMOVING THE FUSE AT FUSE BOX. TURNING POWER OFF USING THE FAN SWITCH IS NOT SUFFICIENT TO PREVENT ELECTRIC SHOCK.

1. Remove 1 of the 3 screws from the mounting plate and keep it for future use. Loosen the other 2 screws. (Do not remove) (Fig. 22)
2. While holding the light kit under your fan, locate two single white and black wires in the switch housing labeled "FOR LIGHT". Make the polarized plug connections:
 - White to white
 - Black to black
3. Place the key holes on the light kit over the 2 screws previously loosened from the mounting plate, turn light kit until it locks in place at the narrow section of the key holes. Secure by tightening the 2 screws previously loosened and the one previously removed. (Fig. 22)
4. Install 1 x 60W (or CFL equivalent) Medium base bulb (not included).

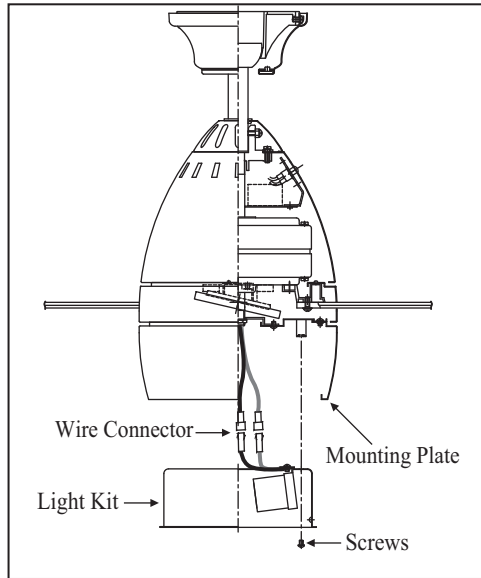


Figure 22

5. Raise glass shade up against the light kit, and secure it to fan by turning glass clockwise until snug. DO NOT OVERTIGHTEN. (Fig. 23)
6. Restore power and your light kit is ready for operation.

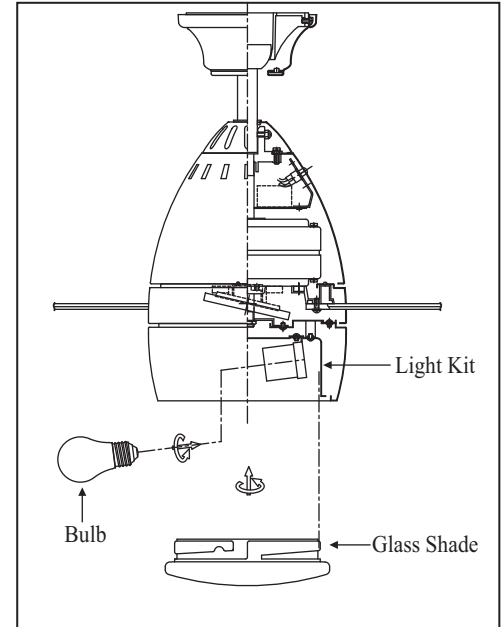



Figure 23

Operating Your Transmitter

Installing the Battery:

Install **12V MN21/A23** battery (included), to prevent damage to transmitter, remove the battery if not used for long periods.

( **WARNING:** May explode or leak if recharged, disposed of in fire or dissected. Do not ingest.)

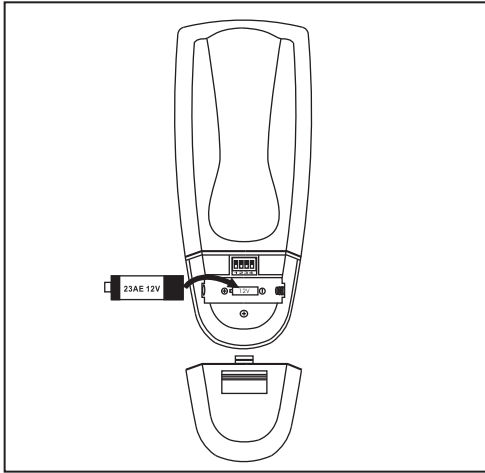



Figure 24

Restore power to the ceiling fan and test for proper operation.

1. **"HI, MED, LOW"** buttons:
These three buttons are used to set the fan speed as follows:
LOW=Low speed,
MED= Medium speed
HI=High speed
2. **"OFF"** button: This button turns the fan off.
3. The " " button turns the light ON or OFF and also controls the brightness setting. Press and release the button to turn the light ON or OFF. Press and hold the button to set the desired brightness. The light button has an auto-resume, it will stay at the same brightness as the last time it was turned off.

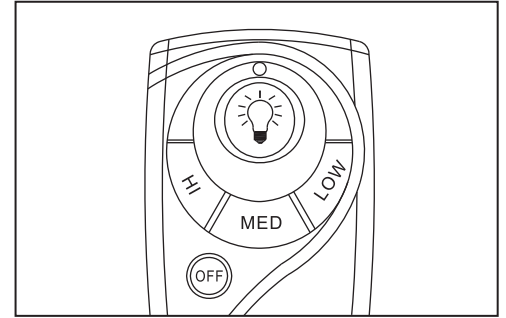


Figure 25

Installing the Transmitter Holder

1. Remove the two plugs from the holder. Note that the plugs have unique tabs that allows them to fit only in one hole. (Fig. 26)
2. Attach the holder with the two screws provided.
3. Replace the two plugs each into its own hole.

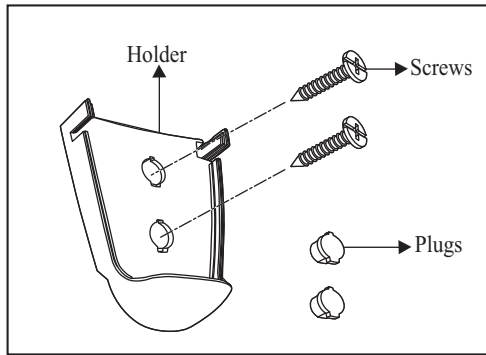


Figure 26

Speed settings for warm or cool weather depend on factors such as the room size, ceiling height, number of fans, etc.

The reverse switch is located on the top of the motor housing. This switch controls directions: forward (switch down) or reverse (switch up).

NOTE
WAIT FOR FAN TO STOP BEFORE CHANGING THE SETTING OF THE SLIDE SWITCH.

Warm weather - (Counter-Clockwise direction) A downward air flow creates a cooling effect. (Fig. 27) This allows you to set your air conditioner on a higher setting without affecting your comfort.

Cool weather - (Clockwise direction) An upward airflow moves warm air off the ceiling area. (Fig. 28) This allows you to set your heating unit on a lower setting without affecting your comfort.

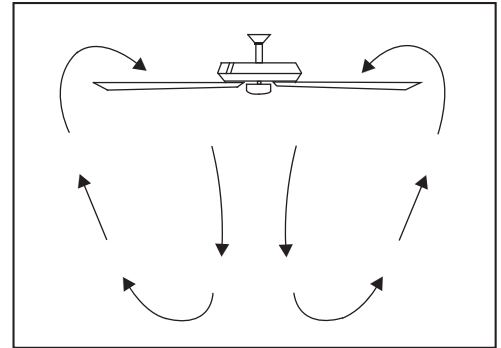


Figure 27

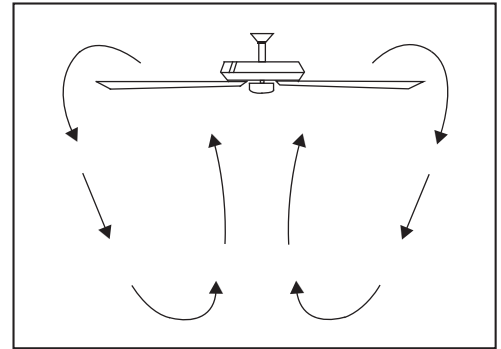


Figure 28

Care of Your Fan Troubleshooting

Here are some suggestions to help you maintain your fan.

1. Because of the fan's natural movement, some connections may become loose. Check the support connections, brackets, and blade attachments twice a year. Make sure they are secure. (It is not necessary to remove fan from ceiling.)
2. Clean your fan periodically to help maintain its new appearance over the years. Use only a soft brush or lint-free cloth to avoid scratching the finish. The plating is sealed with a lacquer to minimize discoloration or tarnishing. Do not use water when cleaning. This could damage the motor, or the wood, or possibly cause an electrical shock.
3. You can apply a light coat of furniture polish to the wood blades for additional protection and enhanced beauty. Cover small scratches with a light application of shoe polish.
4. There is no need to oil your fan. The motor has permanently lubricated sealed ball bearings.

PROBLEM

SOLUTION

The fan will not start.

1. Check main and branch circuit fuses or breakers.
2. Check line wire connections to the fan and switch wire connections in the switch housing.
3. Check to make sure the dip switches from the transmitter and receiver are set to the same frequency.

The fan sounds noisy.

1. Make sure all motor housing screws are snug.
2. Make sure the screws that attach the fan blade bracket to the motor hub are tight.
3. Make sure wire nut connections are not rattling against each other or the interior wall of the switch housing.
4. Allow a 24-hour "breaking-in" period. Most noises associated with a new fan disappear during this time.
5. If using ceiling fan light kit, check that the light bulb is secure.
6. Make sure there is a short distance from the ceiling to the canopy. It should not touch the ceiling.
7. Make sure your ceiling box is secure and rubber isolator pads are used between the mounting bracket and outlet box.

Remote control.

1. Do not connect the fan with a wall mounted variable speed control(s).
2. Make sure the dip switches are set correctly.

WARNING

MAKE SURE THE POWER IS OFF AT THE ELECTRICAL PANEL BOX BEFORE YOU ATTEMPT ANY REPAIRS. REFER TO THE SECTION, "MAKING ELECTRICAL CONNECTIONS".

Specifications

FAN SIZE	SPEED	VOLTS	AMPS	WATTS	RPM	CMM	N.W.	G.W.	C.F.
52"	LOW	120	0.18	9.92	70	48.8	7.30 kg (16.07 lbs)	8.60 kg (18.95 lbs)	1.97'
	MED.		0.27	23.30	122	85.9			
	HIGH		0.36	42.74	170	133.9			

These are approximate measures. They do not include Amps and Wattage used by the light kit.

Importer: **SERVICIOS HOME DEPOT, S. DE R.L. DE C.V.**
 Ricardo Margain 605, Santa Engracia, San Pedro Garza García,
 Nuevo León, C.P. 66267. Tel. 01 800 004 6633

Warranty printed on manual is not valid for Mexico

Questions, problems, missing parts?
 Before returning to the store call our customer service
01 800 004 6633

The appliance is not to be used by persons (including children) with reduced physical, sensory or mental capabilities, or lack of experience and knowledge, unless they have been given supervision or instruction.
 Children should be supervised to ensure that they do not play with the appliance.