

# Hampton Bay Lifetime Limited Warranty

The retailer warrants the fan motor to be free from defects in workmanship and material present at time of shipment from the factory for a lifetime after the date of purchase by the original purchaser. The retailer also warrants that all other fan parts, excluding any glass or plexiglass blades, to be free from defects in workmanship and material at the time of shipment from the factory for a period of one year after the date of purchase by the original purchaser. We agree to correct such defects without charge or at our option replace with a comparable or superior model if the product is returned to the retailer. To obtain warranty service, you must present a copy of the receipt as proof of purchase. All costs of removing and reinstalling the product are your responsibility. Damage to any part such as by accident or misuse or improper installation or by affixing any accessories, is not covered by this warranty. Because of varying climatic conditions in the United States this warranty does not cover any changes in brass finish, including rusting, pitting, corroding, tarnishing or peeling. Brass finishes of this type give their longest useful life when protected from varying weather conditions. A certain amount of wobble is normal and should not be considered a defect. Servicing performed by unauthorized persons shall render the warranty invalid. There is no other express warranty. The retailer hereby disclaims any and all warranties, including but not limited to. Those of merchantability and fitness for a particular purpose to the extent permitted by law. The duration of any implied warranty which cannot be disclaimed is limited to the time period as specified in the express warranty. Some states do not allow limitation on how long an implied warranty lasts, so the above limitation may not apply to you. The retailer shall not be liable for incidental, consequential, or special damages arising out of or in connection with product use or performance except as may otherwise be accorded by law. Some states do not allow the exclusion of incidental or consequential damages, so the above exclusion or limitation may not apply to you. This warranty gives specific legal rights, and you may also have other rights which vary from state to state. This warranty supersedes all prior warranties.

Date Purchased \_\_\_\_\_

Store Purchased \_\_\_\_\_

Model No. \_\_\_\_\_ 133-715

Serial No. \_\_\_\_\_

Vendor No. \_\_\_\_\_ 11289

UPC \_\_\_\_\_ 792145350279

*Lifetime Limited Warranty*

Safety Rules.....	1.
Unpacking Your Fan .....	2.
Installing Your Fan .....	3.
Installing the Light Kit.....	10.
Operating Your Fan .....	11.
Care of Your Fan .....	13.
Troubleshooting .....	14.
Specifications .....	15.

## *Table of Contents*

1. To reduce the risk of electric shock, insure electricity has been turned off at the circuit breaker or fuse box before beginning.
2. All wiring must be in accordance with the National Electrical Code and local electrical codes. Electrical installation should be performed by a qualified licensed electrician.
3. **WARNING:** To reduce the risk of electrical shock and fire, do not use this fan with any solid-state fan speed control device.
4. **WARNING:** To reduce the risk of fire, electric shock, or personal injury, mount to outlet box marked "**Acceptable for Fan Support of 22.7 kg (50 lbs.) Or Less**" and use mounting screws provided with the outlet box. Most outlet boxes commonly used for the support of light fixtures are not acceptable for fan support and may need to be replaced. Due to the complexity of the installation of this fan, a qualified licensed electrician is strongly recommended.
5. The outlet box and support structure must be securely mounted and capable of reliably supporting a minimum of 50 pounds. Use only UL Listed outlet boxes marked **FOR FAN SUPPORT**.
7. Avoid placing objects in the path of the blades.
8. Reverse the fan while the motor is on any speeds.
9. To avoid personal injury or damage to the fan and other items, be cautious when working around or cleaning the fan.
10. Do not use water or detergents when cleaning the fan or fan blades. A dry dust cloth or lightly dampened cloth will be suitable for most cleaning.
11. After making electrical connections, spliced conductors should be turned upward and pushed carefully up into outlet box. The wires should be spread apart with the grounded conductor and the equipment-grounding conductor on one side of the outlet box.
12. Electrical diagrams are reference only. Light kits that are not packed with the fan must be UL Listed and marked suitable for use with the model fan you are installing. Switches must be UL General Use Switches. Refer to the Instructions packaged with the light kits and switches for proper assembly.

**WARNING**

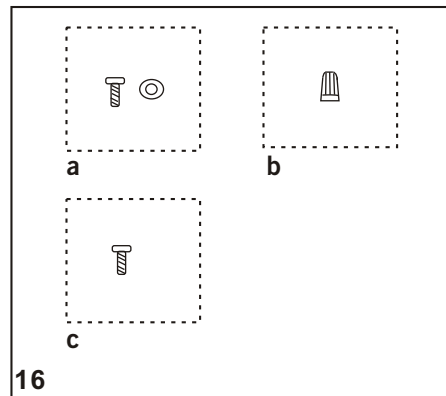
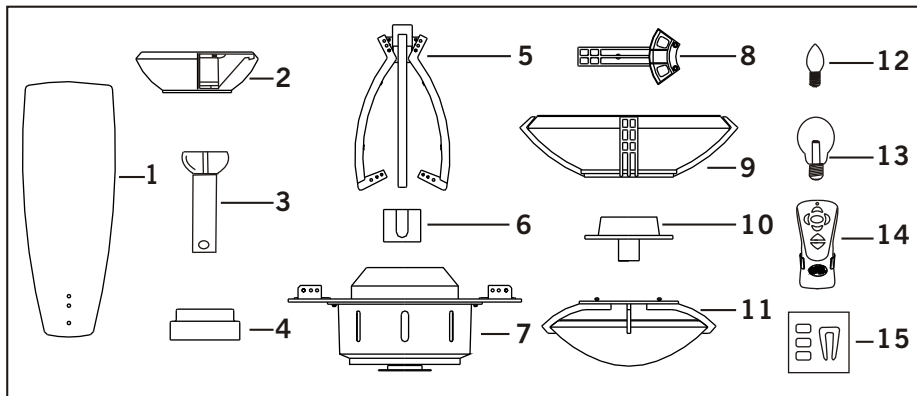
TO REDUCE THE RISK OF FIRE, ELECTRIC SHOCK OR PERSONAL INJURY, MOUNT FAN TO OUTLET BOX MARKED ACCEPTABLE FOR FAN SUPPORT.

**WARNING**

TO REDUCE THE RISK OF PERSONAL INJURY, DO NOT BEND THE BLADE ARMS (ALSO REFERRED TO AS BRACKETS) DURING ASSEMBLY OR AFTER INSTALLATION. DO NOT INSERT OBJECTS IN THE PATH OF THE BLADES.

**NOTE**

READ AND SAVE ALL INSTRUCTIONS!



Unpack your fan and check the contents. You should have the following

- |                                     |                                          |
|-------------------------------------|------------------------------------------|
| 1. Set of blades (5)                | 9. Top glass shade                       |
| 2. Canopy assembly                  | 10. Light plate                          |
| 3. Ball/downrod assembly            | 11. Bottom glass shade                   |
| 4. Decorative top coupling cover    | 12. 15W candelabra bulbs (4)             |
| 5. Decorative scroll                | 13. 60 Watt intermediate base bulb       |
| 6. Decorative bottom coupling cover | 14. Transmitter+holder+2 mounting screws |
| 7. Fan motor assembly               | 15. Balancing kit                        |
| 8. Set of blades arms (5)           |                                          |

16. Loose parts bag containing:

- a. Blade attachment hardware  
(16 screws, 16 fiber washers )
- b. Mounting hardware  
( 3 plastic wire connectors)
- c. Decorative scroll mounting hardware  
( 9 screws)

**WARNING**  
DO NOT INSTALL OR USE FAN  
IF ANY PART IS DAMAGED OR MISSING.  
CALL TOLL FREE 877-898-1881

## *Unpacking Your Fan*

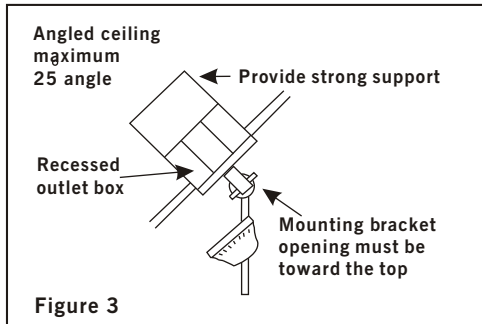
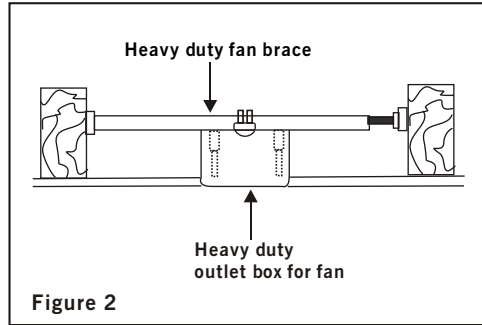
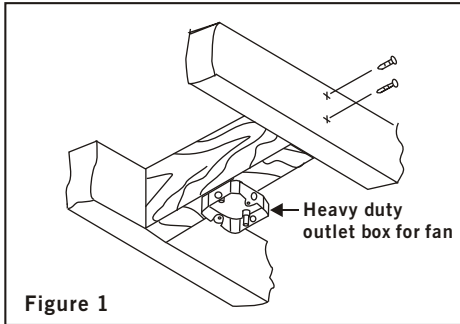
## Tools Required

Phillips screwdriver, straight slot screwdriver, adjustable wrench, step ladder, and wire cutters.

## Mounting Options

Heavy duty ceiling fan rated outlet box is required (at least 50 lbs). Do not use regular outlet box (metal or plastic).

Figure 1, 2 and 3 are examples of different ways to mount the outlet box.



**Note:** You may need a longer downrod to maintain proper blade clearance when installing on a steep, sloped ceiling.

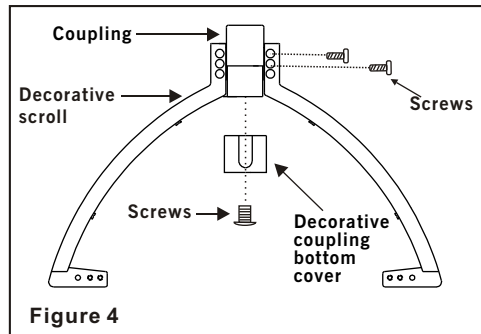
# 3. *Installing Your Fan*

## Installing the Decorative Scroll Assembly

For packaging purpose, the decorative scroll is packed disassembled, proceed the following steps for proper decorative scroll assembly:

Step 1 Secure the decorative scroll to the coupling with two screws provided, repeat the procedure with the remaining decorative scrolls. (Figure 4)

Step. 2 Remove the screw from the bottom of coupling, installing the decorative coupling bottom cover onto the coupling and securing with the screw provided. (Figure 4)



## Installing the Downrod

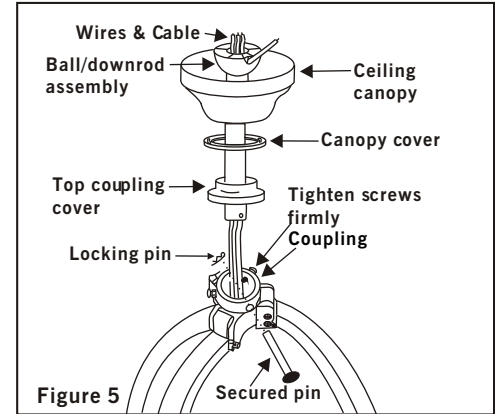
Step 1. Remove the hanger pin, locking pin and set screws from the coupling that located on the top of decorative scroll.

Step 2. Route the wires and safety cable exiting from the decorative scroll through the upper coupling cover, canopy cover. Route the wires and safety cable through the canopy and then through the ball/downrod assembly (Figure 5). Disassembling the canopy kit before proceeding Step 2, see "Hanging the fan" step 1, 2 and 3.

Step 3 Align the holes at the bottom of the downrod with the holes in the coupling on the top of the decorative scroll ( Figure 5 ). Carefully insert the hanger pin through the holes in the coupling and downrod, be careful not to jam the pin against the wiring inside the downrod. Insert the locking pin through the hole in locked position. Figure 5.

**WARNING**  
FAILURE TO PROPERLY INSTALL LOCKING PIN AS NOTED IN STEP 3 COULD RESULT IN FAN LOOSENING AND POSSIBLY FALLING.

Step 4 tighten two set screws firmly on the coupling located at top of the decorative scroll. Slip the upper coupling cover onto the coupling, The decorative scroll assembly is now completed.



## Attaching the Fan Motor Assembly

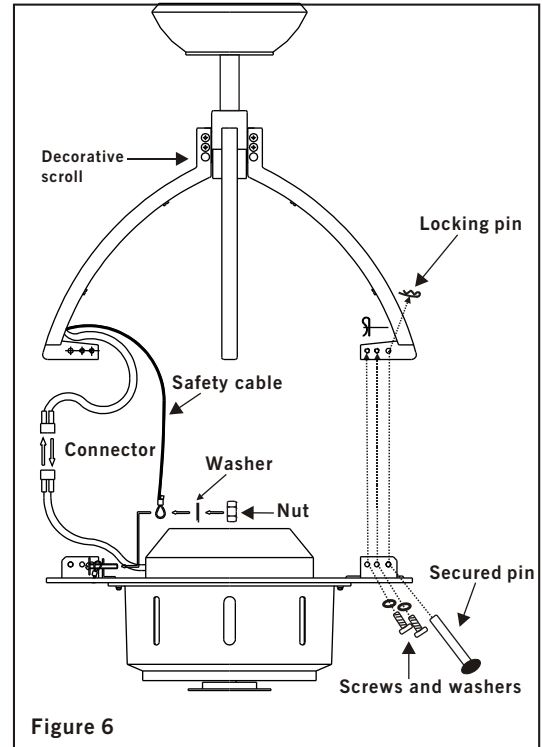
Step 1. Hold the fan motor assembly under the decorative scroll assembly for installation. (Figure 6)

Step 2. Remove the screws and secured pin from the decorative scroll assembly, place the decorative scroll in the top plate of motor assembly, align the screw holes at the bottom of decorative scroll with holes in the top plate of fan motor assembly and then secure with the two screws and secured pin provided (Figure 6), Repeat the procedure for the remaining decorative scrolls.

**NOTE:** Make sure the three rods are evenly set on the plate of the motor assembly.

Step 3. Snap together the wire connection plug from decorative scroll assembly and fan motor assembly. (Figure 6)

Step 4. Remove the nut and washers from the top plate of motor assembly and then place the looped end of the safety cable from the decorative scroll between the two washers and secure with nut provided. (Figure 6)



# Hanging the Fan

**REMEMBER** to turn off the power. Follow the steps below to hang your fan properly:

**Step 1.** Remove the decorative canopy bottom cover from the canopy by turning the cover counter clockwise. (Fig.7)

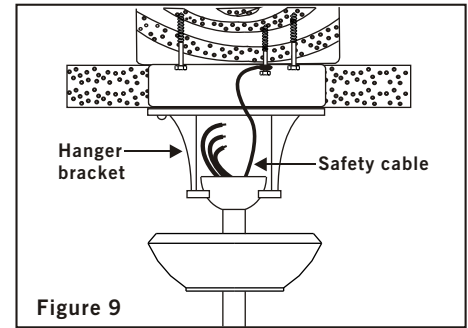
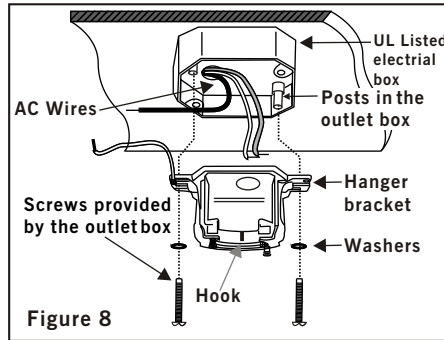
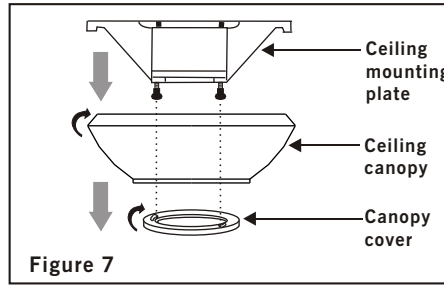
**Step 2.** Remove the hanger bracket from the canopy by loosening the two screws on the bottom of the hanging bracket a half turn from the screw head and turning the canopy counter clockwise. (Figure 7)

**Step 3.** Install the hanger bracket to the outlet box; be sure to align the holes in the hanger bracket with the post holes in the outlet box and secure with screws and washers provided by the outlet box.

**Step 4.** Hanging the assembled fan onto the mounting bracket, place the downrod ball into the mounting bracket. Rotate fan until the slot of the downrod ball locks into the tab of the mounting bracket. (Figure 9)

**Step 5.** Secure the safety cable to the building structure as shown in Fig. 9

**Step 6.** Connecting the wires (see making the electrical connections)





# Making the Electrical Connections

**Remember** to disconnect the power.

Follow the steps below to connect the fan to your household wiring. Use the wire connecting nuts supplied with your fan. Secure the connectors with electrical tape. Make sure there are no loose strands or connections.

**Step 1** Connect the fan supply (black) wire to the black household supply wire as shown in Figure 10.

**Step 2.** Connect the neutral fan (white) wire to the white neutral household wire.

**Step 3** Connect the fan ground wire (green) to the household ground wire.

**Step 4** After connecting the wires, spread them apart so that the green and white wires are on one side of the outlet box and the black wires are on the other side.

**Step 5** Turn the connecting nuts upward and push the wiring into the outlet box.

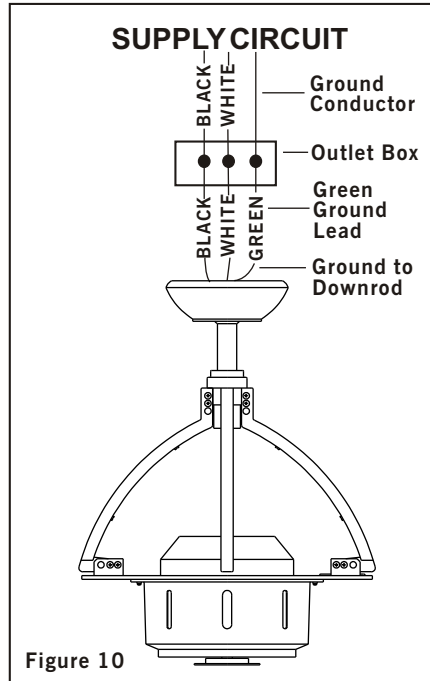


Figure 10

# Finishing the Installation

**Step 1.** Tuck connections neatly into ceiling outlet box.

**Step 2.** Slide the canopy up to ceiling and over the 2 screws on hanger bracket. Rotate canopy clockwise, next, while holding the canopy with one hand, slide the canopy cover over the screws and rotate clockwise until tight. Note: adjust the canopy screws as necessary until the canopy and canopy cover are snug. (Fig. 11)

**WARNING**  
Make sure the notch on the hanging bracket properly sits in the groove in the hanger ball before attaching the canopy to the bracket by turning the housing until it drops into place.

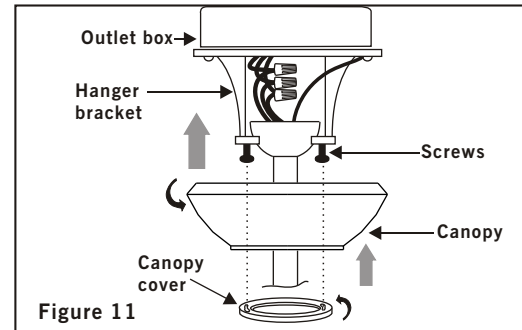


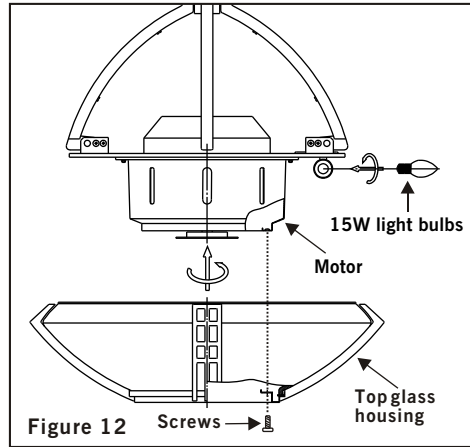
Figure 11

# Attaching the Top Glass Housing

**Remember to disconnect the power.**

**Step 1.** Install the light bulbs (15W, 120VAC candelabra base included). Figure 12.

**Step 2.** Remove 1 of the 4 screws from the glass housing and keep it for future use. Loosen the other 3 screws. (Do not remove). Hold up the top glass housing to ceiling fan assembly. Get through the three screws on glass housing into the three key holes in the motor assembly plate, twist clockwise to set glass housing firmly with motor fan assembly. Secure by tightening the 3 screws previously loosened and the one previously removed.

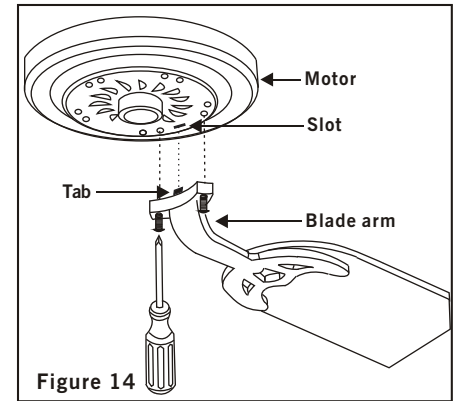
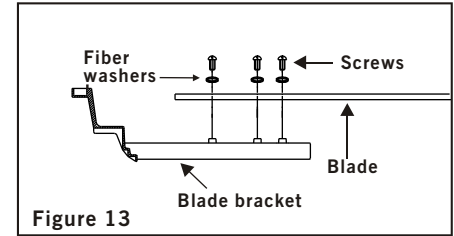


## Attaching the Fan Blades

**Step 1** Attach blades to blade arms using three screws and fiber washers as shown in Figure 13. Start a screw into the arm, do not tighten. Repeat for the 2 remaining screws and washers.

**Step 2** Tighten each screw securely starting with the center screw. Make sure the blade is straight.

**Step 3** Fasten the blade arms to the motor by inserting the tab from the blade arms to the slot in the bottom motor housing, then tighten the two screws and washers already installed in the blade arms. (Figure 14)



All blades are grouped by weight. Because natural woods vary in density, the fan may wobble even though the blades are weight matched.

The following procedure should correct most fan wobble. Check after each step.

1. Check that all blade and blade bracket screws are secure.

2. Most fan wobble problems are caused when blade levels are unequal. Check this level by selecting a point on the ceiling above the tip of one of the blades. Measure this distance as shown in Figure 15. Rotate the fan until the next blade is positioned for measurement. Repeat for each blade. The distance should be equal within 1/8".

3. Use the enclosed Blade Balancing Kit if the blade wobble is still noticeable.

4. If the blade wobble is still noticeable, interchanging two adjacent (side by side) blades can redistribute the weight and possibly result in smoother operation.

**WARNING**  
TO REDUCE THE RISK OF PERSONAL INJURY,  
DO NOT BEND THE BLADE HOLDERS  
WHILE INSTALLING, BALANCING THE  
BLADES, OR CLEANING THE FAN. DO NOT  
INSERT FOREIGN OBJECTS BETWEEN ROTATING  
FAN BLADES.

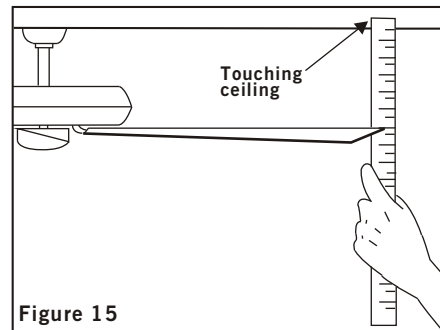


Figure 15

**REMEMBER** to disconnect the power. The fan blades must already be attached to the fan.

Your fan and light kit though pre-wired have been disassembled at the factory to ease in shipping. Please follow these steps to complete the installation of your fan and light. **TO REDUCE THE RISK OF FIRE DO NOT EXCEED MAXIMUM WATTAGE RATING.**

Step 1. Remove 1 of 4 screws from the mounting ring and keep it for future use. Loosen the other 3 screws. (Do not remove)

Step 2. Connect the white wire connector from the light kit and fan, follow the same procedure with the black wire connectors. (Figure 16)

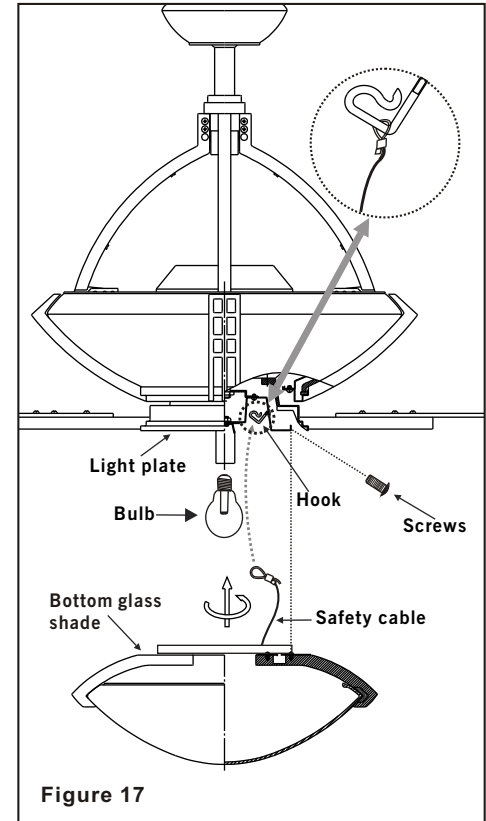
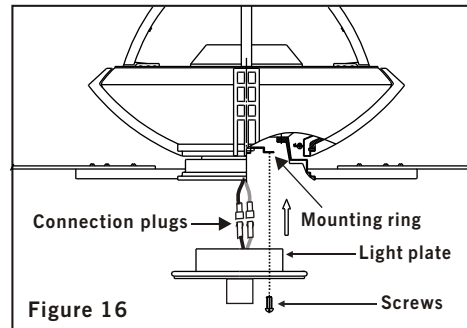
Step 3. Place the key holes on the light plate over the 3 screws previously loosened from the mounting ring, turn light plate until it locks in place at the narrow section of the key holes. Secure by tightening the 3 screws previously loosened and the one previously removed. (Figure 16)

Step 4. Install 60W intermediate base light bulb (included). (Figure 17)

Step 5. Raise the glass shade up against the light plate, place looped end of the safety cable over the hook located on the light plate. Install the glass shade onto the light plate with 4 screws provided. Be sure to tighten all screws. (Fig. 17).

Step 6. restore power and your light kit is ready for operation

**NOTE:** Light bulbs have no warranty, can be purchased at local light bulb specialty store or from our service center.



*Installing the Light Kit 10.*

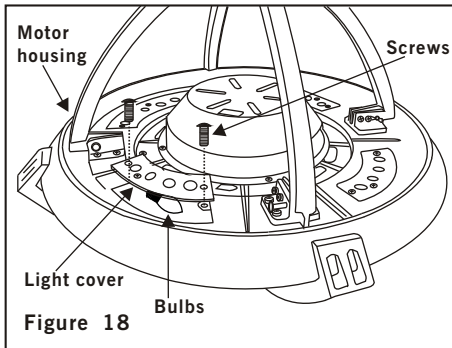
## INTERIOR BULB REPLACEMENT

**REMEMBER** to turn off the power

Step 1. Remove the 2 screws from the light cover from the top decorative housing as shown in Figure 18.

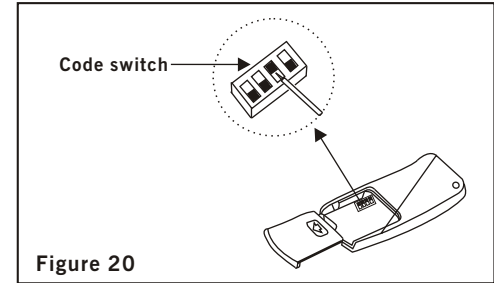
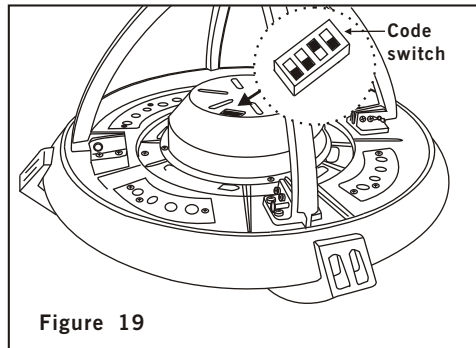
Step 2. Replace the defective bulb (15W, 120V AC CANDELABRA base).

Step 3. Place the light cover back to the top decorative housing and secure the screws in position.



1. The receiver frequency selector is located on the top of the motor assembly plate as shown in Fig. 19.

2. The transmitter frequency selector is located in the battery compartment as shown in Fig. 20. Each frequency selector has 4 switches, you may use any number of possible combinations but you must set each switch in the transmitter to match the same switch in the receiver.



# 11. Operating Your Fan

# Operating Your Transmitter

Restore power to ceiling fan and test for proper operation.

1. **"LO, MED, HI"** buttons:

These three buttons are used to set the fan speed as follows:

**LO**=Low speed **MED**= Medium speed

**HI**=High speed

2. **"OFF"** button:

This button turns the fan off.

3. The **"U/L"** button turns the upper light ON or OFF and also controls the brightness setting. The **"D/L"** button turns the bottom light ON or OFF and also controls the brightness setting. Press and release the button to turn the light ON or OFF. Press and hold the button to set the desired brightness. The light button has an auto-resume, it will stay at the same brightness as the last time it was turned off.

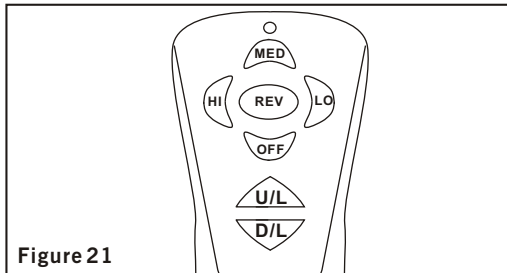


Figure 21

4. The **"REV"** button is used to set the fan forward or reverse, press the button forward (for warm weather) or reverse (for cool weather):

Speed settings for warm or cold weather depend on factors such as room size, ceiling height and number of fans, etc.

**NOTE:** To operate the reverse function on this fan, press the reverse button while the fan is running.

Warm weather - (Forward) A downward air flow creates a cooling effect as shown in Figure 22. This allows you to set your air conditioner on a higher setting without affecting your comfort.

Cool weather - (Reverse) An upward airflow moves warm air off the ceiling area as shown in Figure 23. This allows you to set your heating unit on a lower setting without affecting your comfort.

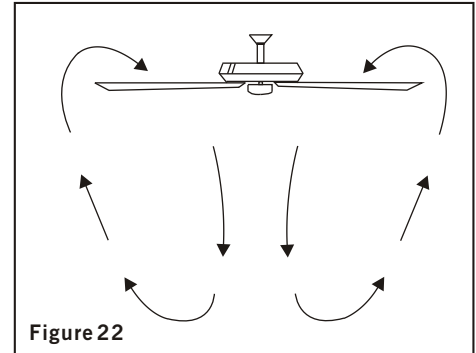


Figure 22

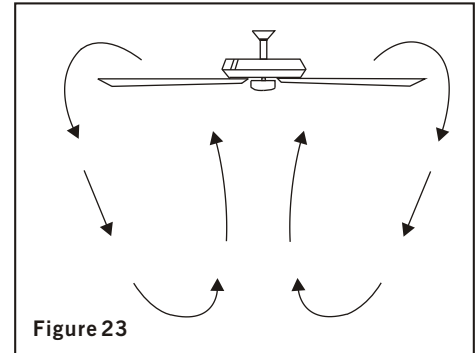


Figure 23

## Installing the battery:

Install 9 volt battery (not included), to prevent damage to transmitter, remove the battery if not used for long periods.

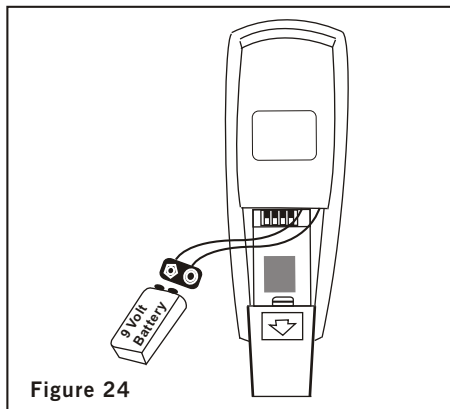


Figure 24

Here are some suggestions to help you maintain your fan

1. Because of the fan's natural movement, some connections may become loose. **Check the support connections, brackets, and blade attachments twice a year.** Make sure they are secure. **(It is not necessary to remove fan from ceiling.)**

2. Clean your fan periodically to help maintain its new appearance over the years. Use only a soft brush or lint-free cloth to avoid scratching the finish. The plating is sealed with a lacquer to minimize discoloration or tarnishing. Do not use water when cleaning. This could damage the motor, or the wood, or possibly cause an electrical shock.

3. You can apply a light coat of furniture polish to the wood blades for additional protection and enhanced beauty. Cover small scratches with a light application of shoe polish.

4. **There is no need to oil your fan.** The motor has permanently lubricated bearings.

### IMPORTANT

MAKE SURE THE POWER IS OFF AT THE ELECTRICAL PANEL BOX BEFORE YOU ATTEMPT ANY REPAIRS. REFER TO THE SECTION "MAKING ELECTRICAL CONNECTIONS"

# 13. Care of Your Fan

## Problem

## Solution

Fan will not start.

1. Check circuit fuses or breakers.
2. Check line wire connections to the fan and switch wire connections in the switch housing.  
**CAUTION:** Make sure main power is off.
3. Check to make sure the dip switches from the transmitter and receiver are set to the same frequency.

Fan sounds noisy.

1. Make sure all motor housing screws are snug.
2. Make sure the screws that attach the fan blade bracket to the motor hub is tight.
3. Make sure wire nut connections are not rubbing against each other or the interior wall of the switch housing.  
**CAUTION:** Make sure main power is off.
4. Allow a 24-hour "breaking-in" period. Most noise associated with a new fan disappear during this time.
5. If using an optional light kit, make sure the screws securing the glassware are tight. Check that light bulb is also secure.
6. Do not connect the fan with wall mounted variable speed control (s)
7. Make sure the upper canopy is a short distance from the ceiling. **It should not touch the ceiling.**

Remote control malfunction:

1. Do not connect the fan with wall mounted variable speed control (s)
2. Make sure the dip switches are set correctly.

# *Troubleshooting 14.*



Fan Size	Speed	Volts	Amps	Watts	RPM	CFM	N.W.	G.W.	C.F.
<b>60"</b>	<b>Low</b>	<b>120</b>	<b>0.30</b>	<b>15</b>	<b>50</b>	<b>1200</b>	<b>19.4 kgs</b> <b>(42.68lbs)</b>	<b>21.5 kgs</b> <b>(47.3lbs)</b>	<b>5.21'</b>
	<b>Medium</b>	<b>120</b>	<b>0.50</b>	<b>40</b>	<b>95</b>	<b>3850</b>			
	<b>High</b>	<b>120</b>	<b>0.70</b>	<b>88</b>	<b>140</b>	<b>6500</b>			

These are approximate measures. They do not include Amps and Wattage used by the light kit.

Distributed by Home Depot U.S.A., Inc.  
2455 Paces Ferry Rd. N.W. Atlanta, Georgia 30339

© 2004 Homer TLC, Inc. All Rights Reserved  
Hampton Bay is a registered trademark of Homer TLC, Inc.

## *15. Specifications*