



458 412



# Milton

## 52 in Ceiling Fan

### Owner's Manual

---

Milton  
Ventilador de Techo de 1,32 m  
Manual del Propietario





**C**ongratulations on your purchase of a Hampton Bay ceiling fan. Your new fan will be a beautiful addition to your home, and will keep you comfortable throughout the year.

The Hampton Bay Fan Company offers a wide variety of ceiling fans. We offer combinations of wood and brass finishes, solid designer colors, and our unique glass and crystal designs.

A large selection of light fixtures and light kits is also available. Ask your dealer about other accessories that will allow you to further customize your fan.

We're certain that your Hampton Bay fan will provide you with many years of comfort, energy savings and satisfaction. To ensure your personal safety and to maximize the performance of your fan, please read this manual thoroughly.

# Milton by Hampton Bay®

# 52” Milton Ceiling Fan by Hampton Bay

Date Purchased \_\_\_\_\_

Store Purchased \_\_\_\_\_

UL Model No. \_\_\_\_\_ 458-412

Serial No. \_\_\_\_\_

Vendor No. \_\_\_\_\_ 219032

UPC \_\_\_\_\_ 792145354246

Thank you for purchasing our ceiling fan. This product has been manufactured with the highest standards of safety and quality. The finish of this fan is weather resistant, but over time will naturally weather and fade.

## Table of Contents

Safety Rules . . . . .	1
Unpacking Your Fan . . . . .	2
Installing Your Fan . . . . .	3
Installing the Light Kit. . . . .	11
Operating Your Transmitter . . . . .	12
Care of Your Fan . . . . .	14
Troubleshooting . . . . .	14
Specifications . . . . .	15
Warranty Information . . . . .	16

# Safety Rules - Read and Save These Instructions

1. To reduce the risk of electric shock, insure electricity has been turned off at the circuit breaker or fuse box before beginning.
2. All wiring must be in accordance with the National Electrical Code “ANSI/NFPA 70-1999” and local electrical codes. Electrical installation should be performed by a qualified licensed electrician.
3. **WARNING:** To reduce the risk of electrical shock or fire, do not use this fan with any solid-state fan speed control device. It will permanently damage the electronic circuitry.
4. **CAUTION:** To reduce the risk of personal injury, use only the screws provided with the outlet box.
5. The outlet box and support structure must be securely mounted and capable of reliably supporting a minimum of 35 pounds, Use only UL Listed outlet boxes marked “FOR FAN SUPPORT”.
6. The fan must be mounted with a minimum of 7 feet clearance from the trailing edge of the blades to the floor.
7. Avoid placing objects in the path of the blades.
8. To avoid personal injury or damage to the fan and other items, be cautious when working around or cleaning the fan.
9. Do not use water or detergents when cleaning the fan or fan blades. A dry dust cloth or lightly dampened cloth will be suitable for most cleaning.
10. After making electrical connections, spliced conductors should be turned upward and pushed carefully up into outlet box. The wires should be spread apart with the grounded conductor and the equipment-grounding conductor on one side of the outlet box and ungrounded conductor on the other side of the outlet box.
11. All set screws must be checked and retightened where necessary before installation.
12. **WARNING:** Use only with light kit marked "Suitable for Use in Wet Locations".

## **WARNING:**

TO REDUCE THE RISK OF PERSONAL INJURY, DO NOT BEND THE BLADE ARMS (ALSO REFERRED TO AS FLANGES), WHEN INSTALLING THE BRACKETS, BALANCING THE BLADES OR CLEANING THE FAN. DO NOT INSERT FOREIGN OBJECTS IN BETWEEN ROTATING FAN BLADES.

## **WARNING:**

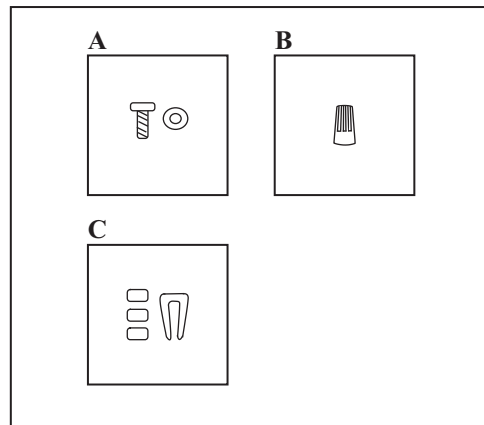
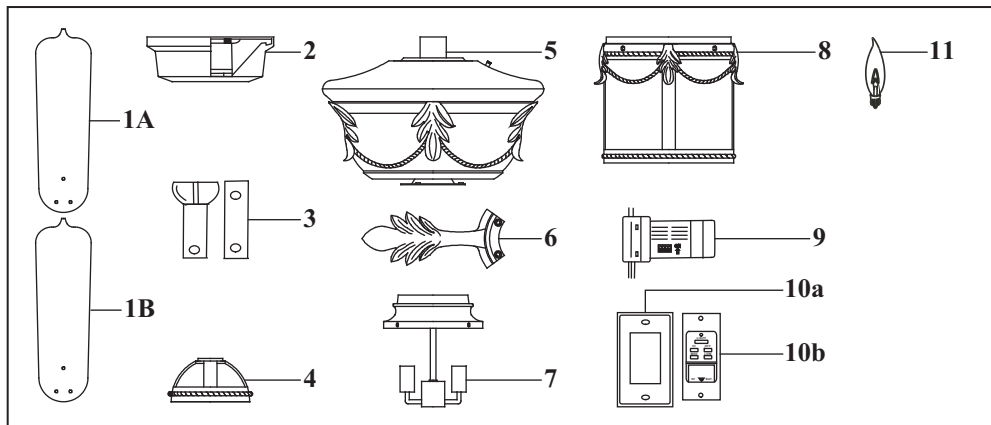
TO REDUCE THE RISK OF FIRE, ELECTRIC SHOCK OR PERSONAL INJURY, MOUNT FAN TO OUTLET BOX MARKED ACCEPTABLE FOR FAN SUPPORT WITH THE SCREWS PROVIDED WITH THE OUTLET BOX.

## **ATTENTION:**

FAN INCLUDES A 190W LIMITER TO COMPLY WITH THE DEPARTMENT OF ENERGY 2009 REGULATION. LAMPING THIS PRODUCT OVER 190W WILL CAUSE THIS FAN TO NOT LIGHT. PLEASE USE BULBS WITH A TOTAL WATTAGE UNDER THE 190W REGULATION.

# Unpacking Your Fan

Unpack your fan and check the contents. You should have the following items:



- 1A. Set of blades (5) (wood blades)
- 1B. Set of blades (5) (Plastic blades)
- 2. Canopy assembly
- 3. Ball/downrod assembly (1)  
& extra downrod (1)
- 4. Coupling cover

- 5. Fan motor assembly
- 6. Set of blade bracket (5)
- 7. Light kit
- 8. Glass shade assembly
- 9. Receiver+6 wire nuts
- 10a. Mounting plate with 2 mounting screws
- 10b. Transmitter with 2 mounting screws
- 11. 40 Watt candelabra bulbs (3)

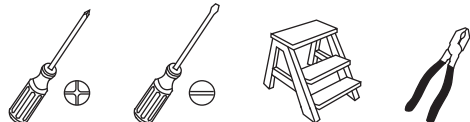
- A. Blade Attachment Hardware  
(16 Screws, 16 Rubber Washers)
- B. Electrical Hardware  
(3 Plastic Wire Nuts)
- C. Balance Kits (2)

**WARNING**  
DO NOT INSTALL OR USE FAN IF ANY  
PART IS DAMAGED OR MISSING.  
CALL TOLL FREE 1-877-902-5588.

# Installing Your Fan

## Tools Required

Phillips screwdriver, straight slot screwdriver, step ladder and wire cutters.



## Mounting Options

If there isn't an existing UL listed mounting box, then read the following instructions. Disconnect the power by removing fuses or turning off circuit breakers.

Secure the outlet box directly to the building structure. Use appropriate fasteners and building materials. The outlet box and its support must be able to fully support the moving weight of the fan (at least 35 lbs). Do not use plastic outlet boxes.

### WARNING

TO REDUCE THE RISK OF FIRE, ELECTRIC SHOCK OR PERSONAL INJURY, MOUNT FAN ONLY TO AN OULET BOX MARKED ACCEPTABLE FOR FAN SUPPORT AND USE THE MOUNTING SCREWS PROVIDED WITH THE OULET BOX. OULET BOX COMMONLY USED FOR THE SUPPORT OF LIGHTING FIXTURE MAY NOT BE ACCEPTABLE FOR FAN SUPPORT AND MAY NEED TO BE REPLACED. CONSULT A QUALIFIED ELECTRICIAN IF IN DOUBT.

Figures 1~3 are examples of different ways to mount the outlet box.

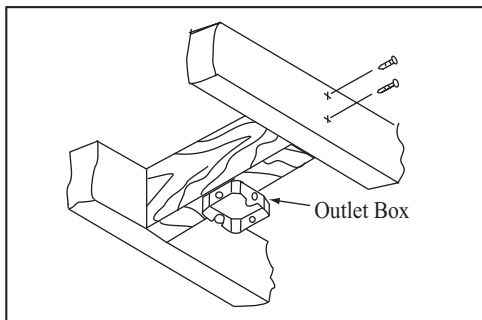


Figure 1

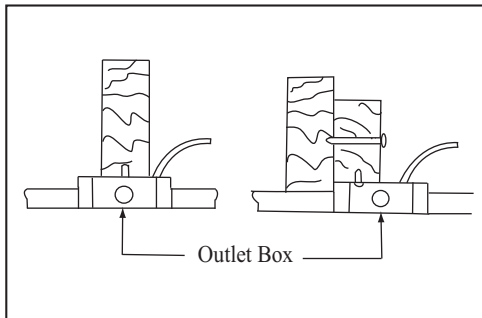


Figure 2

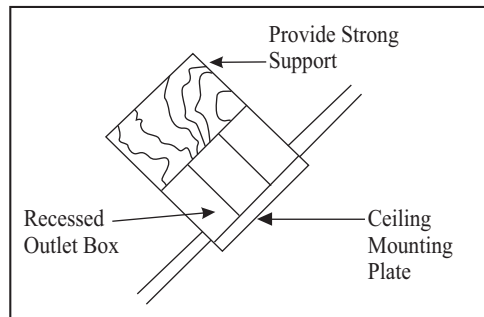


Figure 3

**Note:** You may need a longer downrod to maintain proper blade clearance when installing on a steep, sloped ceiling. The maximum angle allowable is 20°. If the canopy touches downrod, remove the decorative canopy bottom cover and turn the canopy 180° before attaching the canopy to the mounting plate.

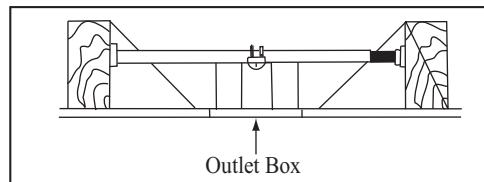


Figure 4

To hang your fan where there is an existing fixture but no ceiling joist, you may need an installation hanger bar as shown in Figure 4 (available at any Home Depot store).

## Hanging the Fan

**REMEMBER** to turn off the power. Follow the steps below to hang your fan properly.

1. Remove the decorative canopy bottom cover from the canopy by turning the cover counter clockwise. (Figure 5)
2. Remove the mounting bracket from the canopy by removing the 1 of 2 screws from the bottom of the mounting bracket and loosening the other one a half turn from the screw head. Next, turn the canopy counter clockwise to removing the mounting bracket from the canopy. (Figure 5)
3. Remove the clevis pin, cotter pin and set screws from the top of the motor assembly. (Figure 6)
4. Route wires exiting from the top of the fan motor through the coupling cover, canopy cover, canopy and then through the ball/downrod. (Figure 6)
5. Align the holes at the bottom of the downrod with the holes in the coupling on top of the motor housing. (Figure 6) Carefully insert the clevis pin through the holes in the collar and downrod. Be careful not to jam the clevis pin against the wiring inside the downrod. Insert the cotter pin through the hole near the end of

the clevis pin until it snaps into its locked position, as noted in the circle inset of Fig. 6.

### WARNING

**FAILURE TO PROPERLY INSTALL COTTER PIN AS NOTED IN STEP 5 COULD RESULT IN FAN LOOSENING AND POSSIBLY FALLING.**

6. Tighten two set screws at top of the fan motor collar firmly and evenly. (Fig. 6)

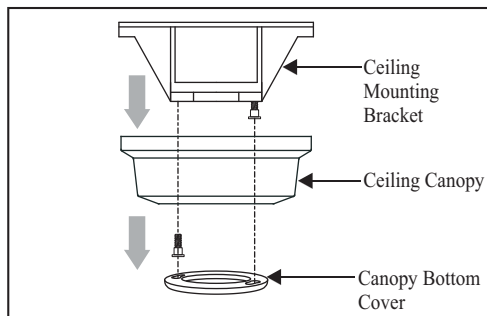


Figure 5

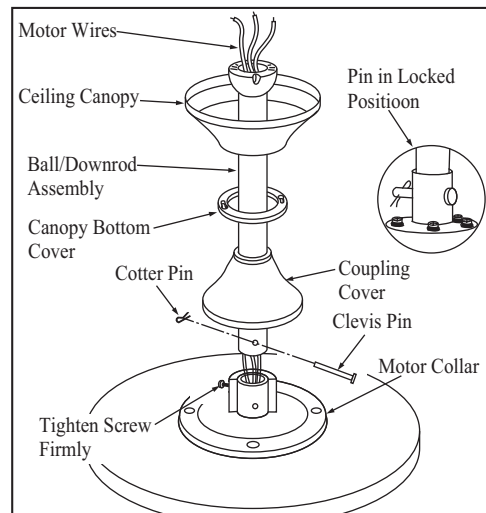


Figure 6

## Changing the Downrod (Optional)

**NOTE:** Your fan comes with a 4" downrod attached to the hanger ball. In addition you have been provided with a 6" downrod to use if desired. If you choose to use the 6" downrod, perform the following steps:

1. Remove the hanger ball from the 4" downrod by loosening the set screw at the top of the downrod which holds the hanger ball to the downrod.
2. Slide the hanger ball down the downrod and remove the support pin.
3. Insert the support pin in the holes at the top of the 6" downrod and slide the hanger ball up the 6" downrod. Make sure the support pin is properly seated in the grooves in the top of the hanger ball.
4. Tighten the set screw firmly.

## Installing Fan to the Electrical Box

### WARNING

**TO REDUCE THE RISK OF FIRE, ELECTRIC SHOCK OR OTHER PERSONAL INJURY, MOUNT FAN ONLY TO AN OUTLET BOX OR SUPPORTING SYSTEM MARKED ACCEPTABLE FOR FAN SUPPORT AND USE THE MOUNTING SCREWS PROVIDED WITH THE OUTLET BOX.**

1. Pass the 120-volt supply wires through the center hole in the ceiling mounting bracket as shown in Figure 7.
2. Install the ceiling mounting bracket on the outlet box with the screws and washers provided with your outlet box. (Figure 7)
3. Security tighten the two mounting screws.
4. Carefully lift the fan assembly up to the ceiling mounting bracket and seat the hanger ball in the mounting bracket socket. Make sure the tab on the mounting bracket socket is properly seated in the groove in the hanger ball. (Figure 8) This will help to balance the ceiling fan.

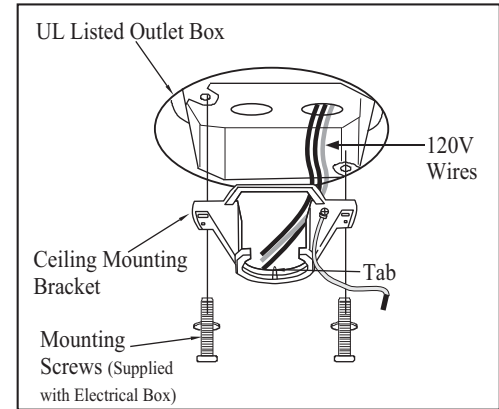


Figure 7

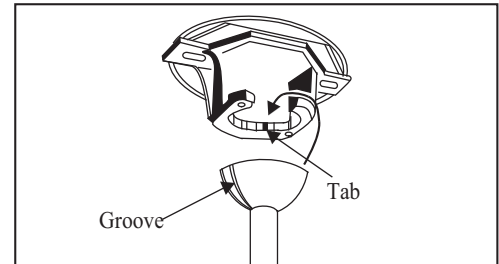


Figure 8

### WARNING

**THE TAB IN THE RING MUST REST IN THE GROOVE OF THE HANGER BALL AS FIGURE 8. FAILURE TO PROPERLY SEAT THE TAB IN THE GROOVE COULD CAUSE DAMAGE TO WIRING.**



# Making the Electrical Connections

## WARNING

TO AVOID POSSIBLE ELECTRICAL SHOCK, BE SURE ELECTRICITY IS TURNED OFF AT THE MAIN FUSE BOX BEFORE WIRING.

If you feel you do not have enough electrical wiring knowledge or experience, have your fan installed by a licensed electrician.

This remote control unit is equipped with 16 code combinations to prevent possible interference from or to other remote units. The frequency switches on your receiver and transmitter have been preset at the factory. Please recheck to make sure the switches on the transmitter and the receiver are set to the same position, any combination of settings will operate the fan as long as the transmitter and receiver are set to the same position. (Figure 9)

## CAUTION

THE FREQUENCY SWITCHES ON THE RECEIVING UNIT ARE COVERED WITH A RUBBER COVER, REMOVE THE RUBBER COVER AND THEN HAVE IT REPLACED AFTER MAKING ANY CHANGES TO THE FREQUENCY SWITCHES.

1. Insert the receiver into the mounting bracket with the flat side of the receiver facing the ceiling. (Figure 10)

2. (Fig. 11) Motor to receiver electrical connections: Connect the black wire from the fan to black wire marked "TO MOTOR L". Connect the white wire from the fan to the white wire marked "TO MOTOR N" from the receiver. Connect the blue wire from the fan to the blue wire marked "For Light" from the receiver. Secure the wire connections with the plastic wire connecting nuts provided.

3. (Figure 11) Receiver to house supply wires electrical connections: Connect the black (hot) wire from the ceiling to the black wire marked "AC in L" from the receiver. Connect the white (neutral) wire from the ceiling to the white wire marked "AC in N" from the receiver. Secure the wire connections with the plastic wire connecting nuts provided.

4. (Figure 11) If your outlet box has a ground wire (green or bare copper) connect it to the fan ground wires; otherwise connect the hanging bracket ground wire to the mounting bracket. Secure the wire connection with a plastic wire connecting nut provided. After connecting the wires spread them apart so that the green and white wires are on one side of the outlet box and black and blue wires are on the other side. Carefully tuck the wire connections up into the outlet box.

## CAUTION

DO NOT USE WITH WALL LIGHT DIMMER SWITCH.

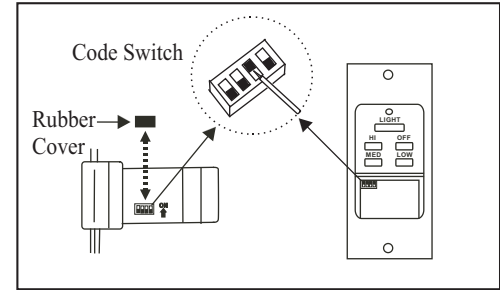


Figure 9

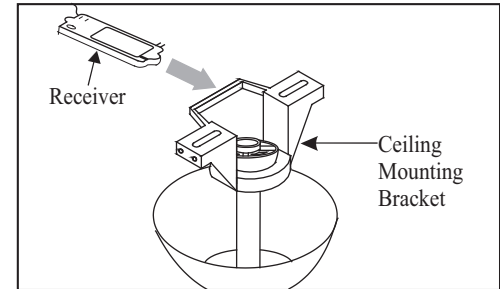


Figure 10

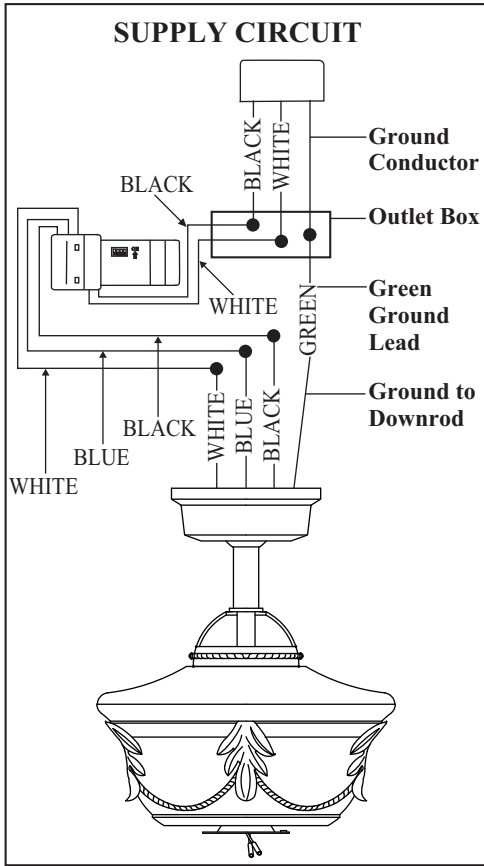


Figure 11

## Installing the Wall Transmitter

**Remember** to shut the power off at the circuit breaker or fuse box.

1. Disconnect the power and remove the existing wall plate and switch from the wall junction box. (Figure 12)
2. Set knobs on the wall control in the off position.
3. (Fig. 13) Carefully tuck the wire connections inside the junction box. Secure the wall transmitter with the two screws provided.
4. Attach the wall plate over the wall transmitter and secure with the two screws provided.

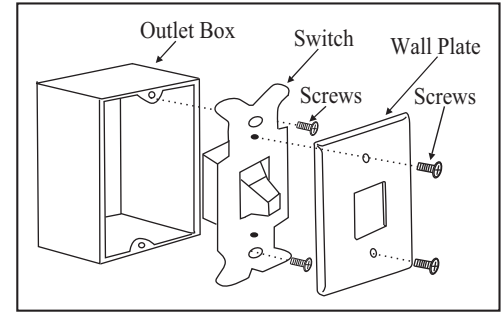


Figure 12

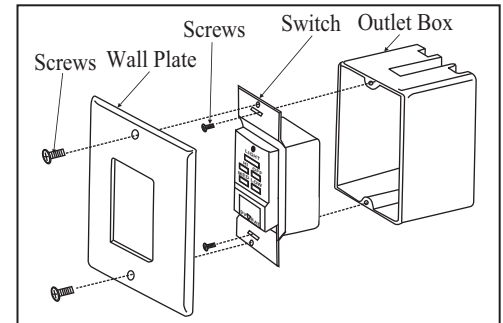


Figure 13

## Finishing the Fan Installation

1. Tuck connections neatly into ceiling outlet box.
2. Slide the canopy up to mounting bracket and place the key hole on the canopy over the screw on the mounting bracket, turn canopy until it locks in place at the narrow section of the key holes. (Fig. 14)
3. Align the circular hole on canopy with the remaining hole on the mounting bracket, secure by tightening the two set screws. **Note:** Adjust the canopy screws as necessary until the canopy and canopy cover are snug.

### WARNING

MAKE SURE THE TAB ON THE MOUNTING BRACKET PROPERLY SITS IN THE GROOVE IN THE HANGER BALL BEFORE ATTACHING THE CANOPY TO THE BRACKET BY TURNING THE HOUSING UNTIL IT DROPS INTO PLACE.

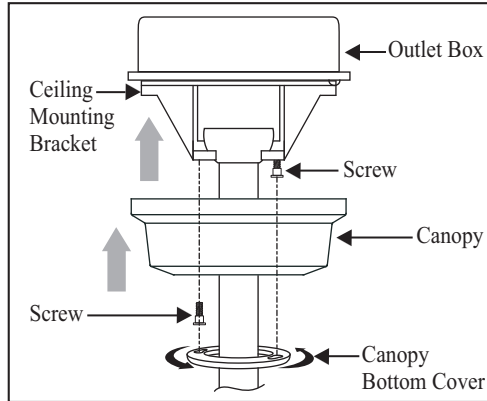


Figure 14

# Attaching the Fan Blades

## CAUTION

REMOVE THE 5 SCREWS FROM THE MOTOR SUPPORT PLATE, DISCARD THE 5 SCREWS AND MOTOR SUPPORT PLATE.

1. Attach blades to blade arm using the screws and rubber washers provided. (Fig. 15) Start a screw into the blade arm, do not tighten. Repeat for the 3 remaining screws and washers.
2. Tighten each screw securely starting with the center screw. Make sure the blade is straight. Repeat steps for the remaining blades.
3. Fasten the blade assemblies to the motor housing by lining up the slots of the blade arms with the tabs on the motor housing, then tighten the two screws and washers already installed in the blade arms. (Figure 16)

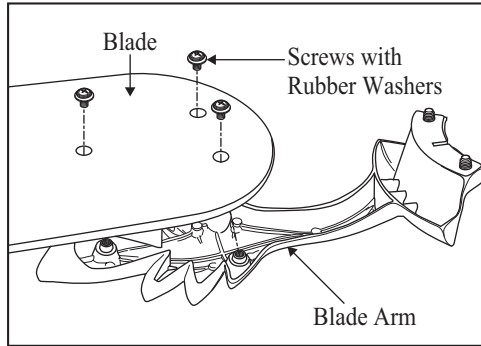


Figure 15

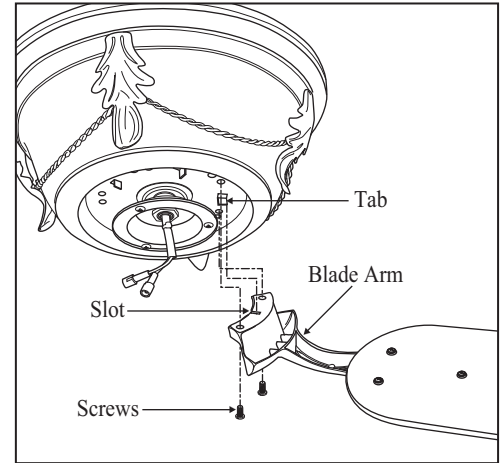


Figure 16

## WARNING

TO REDUCE THE RISK OF PERSONAL INJURY, DO NOT BEND THE BLADE ARMS WHILE INSTALLING, BALANCING THE BLADES, OR CLEANING THE FAN. DO NOT INSERT FOREIGN OBJECTS BETWEEN ROTATING FAN BLADES.

## Blade Balancing

The following procedure should correct most fan wobble. Check after each step.

1. Check that all blade and blade arm screws are secure.
2. Most fan wobble problems are caused when blade levels are unequal. Check this level by selecting a point on the ceiling above the tip of one of the blades. Measure from a point on the center of each blade to the point on the ceiling. Measure this distance as shown in Figure 17. Rotate the fan until the next blade is positioned for measurement. Repeat for each blade. Measurements deviation should be within  $1/8$ ". Run the fan for 10 Minutes.
3. Use the enclosed Blade Balancing Kit if the blade wobble is still noticeable.

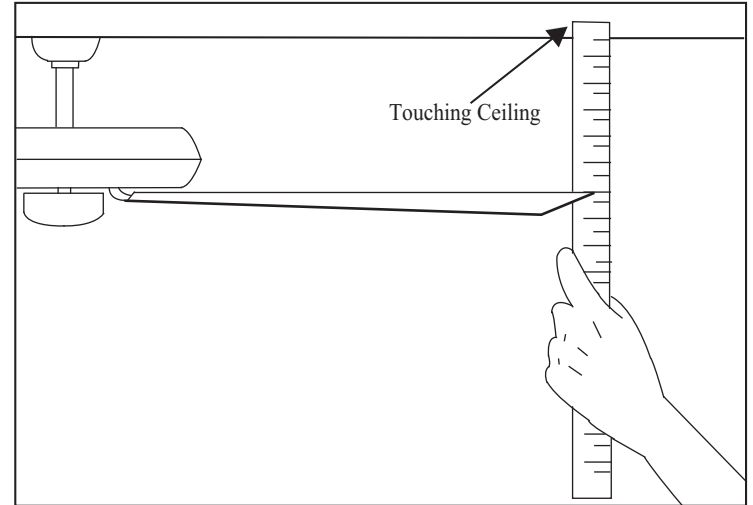


Figure 17

# Installing the Light Kit

## CAUTION

BEFORE STARTING INSTALLATION, DISCONNECT THE POWER BY TURNING OFF THE CIRCUIT BREAKER OR REMOVING THE FUSE AT FUSE BOX. TURNING POWER OFF USING THE FAN SWITCH IS NOT SUFFICIENT TO PREVENT ELECTRIC SHOCK.

1. Remove the 1 of 3 screws from the mounting ring and keep it for future use. Loosen the other 2 screws. (Do not remove)
2. Connect the white wire connectors from the light kit and fan, follow the same procedure with the black wire connectors. (Figure 18)
3. Tuck connections neatly into mounting ring, place the key holes on the light plate over the 2 screws previously loosened from the mounting ring, turn light plate until it locks in place at the narrow section of the key holes. Secure by tightening the 2 screws previously loosened and the one previously removed. **NOTE:** When installing the light kit onto the mounting ring, be sure the arrow markings from the screw and key holes are aligned. (Fig. 19)
4. Install 3 x 40W candelabra bulbs (included). (Figure 20)
5. Install the glass shade assembly to the switch housing with 4 screws provided. (Figure 20)

6. Restore power and your light kit is ready for operations.

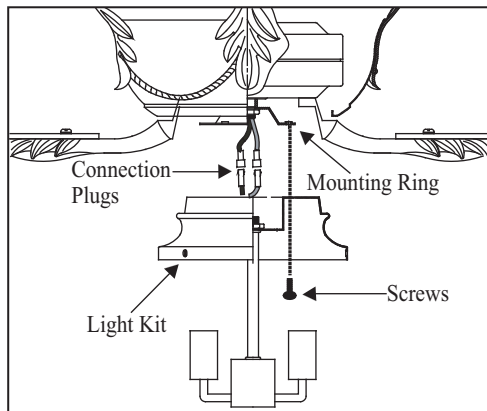


Figure 18

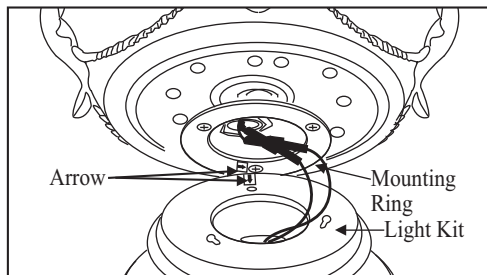


Figure 19

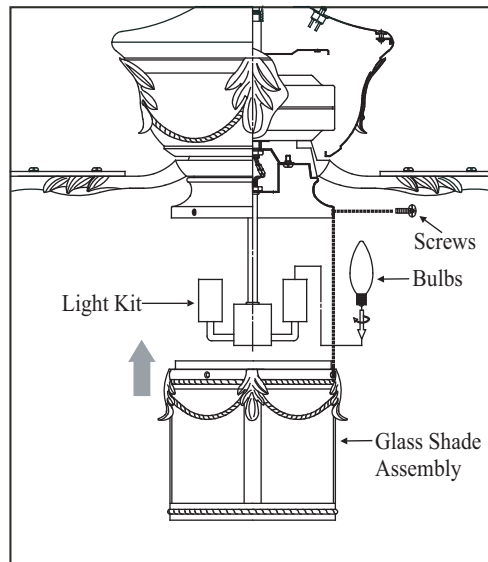


Figure 20

## NOTE

LIGHT BULBS HAVE NO WARRANTY; CAN BE PURCHASED AT ANY HOME DEPOT STORE.

# Operating Your Transmitter

## Installing the Battery:

Install **9 volt** battery (not included), to prevent damage to transmitter, remove the battery if not used for long periods. (Figure 21)

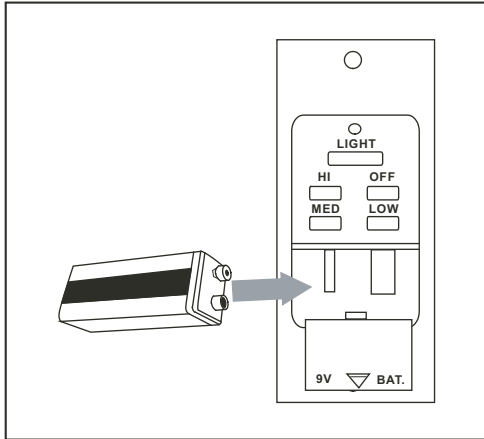


Figure 21

Restore power to the ceiling fan and test for proper operation.

1. **"HI, MED, LOW"** buttons:  
These three buttons are used to set the fan speed as follows:  
**LOW**=Low speed,  
**MED**= Medium speed  
**HI**=High speed
2. **"OFF"** button:  
This button turns the fan off.
3. The **"LIGHT"** button turns the light ON or OFF.

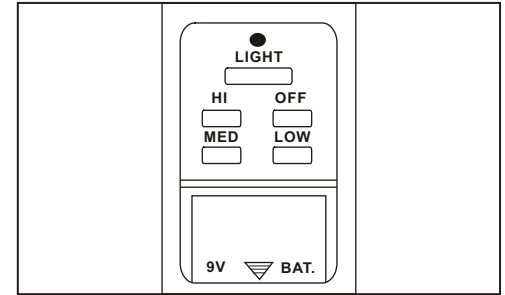


Figure 22

Speed settings for warm or cool weather depend on factors such as the room size, ceiling height, number of fans, etc.

The Reverse switch is located on the top of motor housing. Slide the switch to the Left for warm weather operation. Slide the switch to the Right for cool weather operation.

**NOTE**

WAIT FOR FAN TO STOP BEFORE CHANGING THE SETTING OF THE SLIDE SWITCH.

**Warm weather** - (Counter-Clockwise direction)  
A downward air flow creates a cooling effect. (Fig. 23) This allows you to set your air conditioner on a higher setting without affecting your comfort.

**Cool weather** - (Clockwise direction) An upward airflow moves warm air off the ceiling area. (Fig. 24) This allows you to set your heating unit on a lower setting without affecting your comfort.

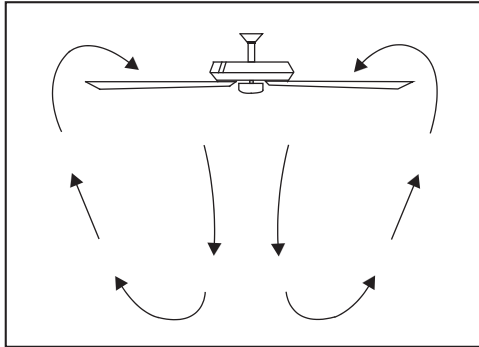


Figure 23

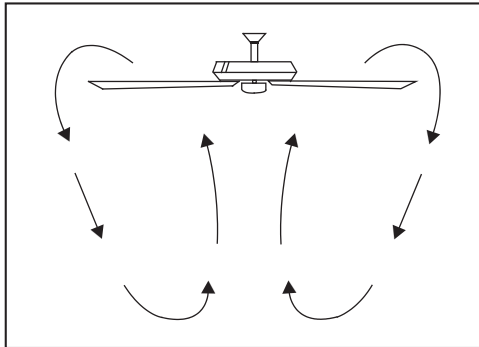


Figure 24



# Care of Your Fan Troubleshooting

Here are some suggestions to help you maintain your fan.

1. Because of the fan's natural movement, some connections may become loose. Check the support connections, brackets, and blade attachments twice a year. Make sure they are secure. (It is not necessary to remove fan from ceiling.)
2. Clean your fan periodically to help maintain its new appearance over the years. Do not use water when cleaning. Use only a soft brush or lint-free cloth to avoid scratching the finish. The plating is sealed with a lacquer to minimize discoloration or tarnishing. Do not use water when cleaning. This could damage the motor, or the wood, or possibly cause an electrical shock.
3. You can apply a light coat of furniture polish to the wood blades for additional protection and enhanced beauty. Cover small scratches with a light application of shoe polish.
4. There is no need to oil your fan. The motor has permanently lubricated sealed ball bearings.

## PROBLEM SOLUTION

Fan will not start

1. Check main and branch circuit fuses or breakers.
2. Check line wire connections to the fan and switch wire connections in the switch housing.
3. Check to make sure the dip switches from the transmitter and receiver are set to the same frequency.

Fan sounds noisy

1. Make sure all motor housing screws are snug.
2. Make sure the screws that attach the fan blade bracket to the motor hub is tight.
3. Make sure wire nut connections are not rattling against each other or the interior wall of the switch housing.
4. Allow a 24-hour "breaking-in" period. Most noises associated with a new fan disappear during this time.
5. If using ceiling fan light kit, make sure the screws securing the glassware are tight. Check that the light bulb is also secure.
6. Make sure there is a short distance from the ceiling to the canopy. It should not touch the ceiling.
7. Make sure your ceiling box is secure and rubber isolator pads are used between mounting bracket and outlet box.

Lights shut off and will not come back on.

1. This unit is equipped with a wattage limiting device. Lamping in excess of 190 watts will disable your ceiling fan's light kit. To reset your light kit you must turn the power off and relamp, keeping the wattage under 190 watts. Restore power to your ceiling fan and continue normal operation.

Remote control

1. Do not connect the fan with a wall mounted variable speed control(s).
2. Make sure the dip switches are set correctly.

### WARNING

**MAKE SURE THE POWER IS OFF AT THE ELECTRICAL PANEL BOX BEFORE YOU ATTEMPT ANY REPAIRS. REFER TO THE SECTION, "MAKING ELECTRICAL CONNECTIONS".**

# Specifications

FAN SIZE	SPEED	VOLTS	AMPS	WATTS	RPM	CFM	N.W.	G.W.	C.F.
52"	LOW	120	0.36	17	75	1200	14.35 kgs (31.57 lbs)	16.39 kgs (36.06 lbs)	2.59'
	MED.		0.48	36	120	3850			
	HIGH		0.56	63	170	6500			

These are approximate measures. They do not include Amps and Wattage used by the light kit.

# Hampton Bay Lifetime Limited Warranty

## (lifetime warranty on motor)

The Hampton Bay warrants the fan motor to be free from defects in workmanship and material present at time of shipment from the factory for a period of lifetime after the date of purchase by the original purchaser. Hampton Bay also warrants that all other fan parts, excluding any glass or acrylic blades, to be free from defects in workmanship and material at the time of shipment from the factory for a period of one year after the date of purchase by the original purchaser. We agree to correct such defects without charge or at our option replace with a comparable or superior model if the product is returned to Hampton Bay. To obtain warranty service, you must present a copy of the receipt as proof of purchase. All costs of removing and reinstalling the product are your responsibility. Damage to any part such as by accident or misuse or improper installation or by affixing any accessories, is not covered by this warranty. Because of varying climatic conditions this warranty does not cover any changes in brass finish, including rusting, pitting, corroding, tarnishing or peeling. Brass finishes of this type give their longest useful life when protected from varying weather conditions. A certain amount of “wobble” is normal and should not be considered a defect. Servicing performed by unauthorized persons shall render the warranty invalid. There is no other express warranty. Hampton Bay hereby disclaims any and all warranties, including but not limited to. Those of merchantability and fitness for a particular purpose to the extent permitted by law. The duration of any implied warranty which cannot be disclaimed is limited to the time period as specified in the express warranty. Some states do not allow limitation on how long an implied warranty lasts, so the above limitation may not apply to you. The retailer shall not be liable for incidental, consequential, or special damages arising out of or in connection with product use or performance except as may otherwise be accorded by law. Some states do not allow the exclusion of incidental or consequential damages, so the above exclusion or limitation may not apply to you. This warranty gives specific legal rights, and you may also have other rights which vary from state to state. This warranty supersedes all prior warranties. Shipping costs for any return of product as part of a claim on the warranty must be paid by the customer.

You must present a copy of the original purchase receipt to obtain warranty service.

Ceiling Fan Parts & Service Department  
2919 E. Philadelphia Street  
Ontario, Ca 91761

Attach receipt here for easy location