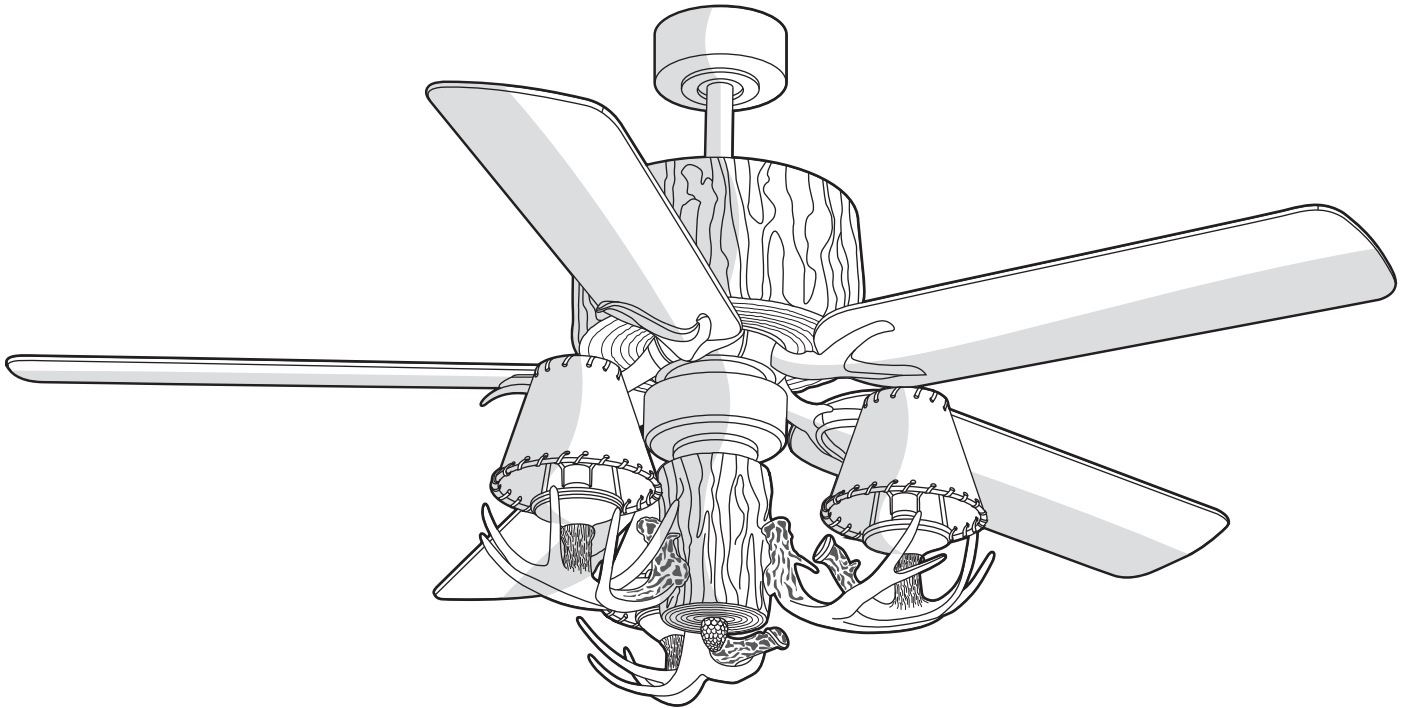


Item #1005 228 605
Model #YG098B-NM

HAMPTON BAY[®]

USE AND CARE GUIDE

LODGE 52 IN. CEILING FAN



Questions, problems, missing parts? Before returning to the store,
call Hampton Bay Customer Service
8 a.m. - 7 p.m., EST, Monday-Friday, 9 a.m. - 6 p.m., EST Saturday

1-855-HD-HAMPTON

HAMPTONBAY.COM



Visual instruction of how to install this fan:
Visit www.homedepot.com and enter either the Item or Model number to find
this fan and click the link of visual instruction in the product overview section.

THANK YOU

We appreciate the trust and confidence you have placed in Hampton Bay through the purchase of this ceiling fan. We strive to continually create quality products designed to enhance your home. Visit us online to see our full line of products available for your home improvement needs. Thank you for choosing Hampton Bay!

Table of Contents

Table of Contents	2	Operation	18
Safety Information	3	Remote Control Operating Instructions	18
Warranty	4	Reverse Switch Operating Instructions.....	19
Pre-installation	4	Care and Cleaning	19
Specifications	4	Troubleshooting	20
Tools Required	4	Service Parts	21
Hardware Included	5		
Package Contents	6		
Installation	7		
Assembly	8		
Hanging the Fan	10		
Attaching the Fan Blades	14		
Installing the Light Kit	15		

READ AND SAVE THESE INSTRUCTIONS

Safety Information

1. To reduce the risk of electric shock, ensure electricity has been turned off at the circuit breaker or fuse box before beginning.
2. All wiring must be in accordance with the National Electrical Code "ANSI/NFPA 70-1999" and local electrical codes. Electrical installation should be performed by a qualified licensed electrician.
3. The outlet box and support structure must be securely mounted and capable of reliably supporting a minimum of 35 lbs (15.9 kg) or less. Use only UL-listed outlet boxes marked "FOR FAN SUPPORT."
4. The fan must be mounted with a minimum of 7 ft (2.1m) clearance from the trailing edge of the blades to the floor.
5. Avoid placing objects in the path of the blades.
6. To avoid personal injury or damage to the fan and other items, be cautious when working around or cleaning the fan.
7. Do not use water or detergents when cleaning the fan or fan blades. A dry dust cloth or lightly dampened cloth will be suitable for most cleaning.
8. After making electrical connections, spliced conductors should be turned upward and pushed carefully up into the outlet box. The wires should be spread apart with the grounded conductor and the equipment-grounding conductor on one side of the outlet box and ungrounded conductor on the other side of the outlet box.
9. All setscrews must be checked and retightened where necessary before installation.
10. Suitable for use with solid-state speed control (MR181B-3 only).
11. This device complies with part 15 of the FCC Rules. Operation is subject to the following two conditions: (1) This device may not cause harmful interference, and (2) this device must accept any interference received, including interference that may cause undesired operation.

Warning: Changes or modifications to this unit not expressly approved by the party responsible for compliance could void the user's authority to operate the equipment.

NOTE: This equipment has been tested and found to comply with the limits for a Class B digital device, pursuant to Part 15 of the FCC Rules. These limits are designed to provide reasonable protection against harmful interference in a residential installation. This equipment generates, uses and can radiate radio frequency energy and, if not installed and used in accordance with the instructions, may cause harmful interference to radio communications.

However, there is no guarantee that interference will not occur in a particular installation. If this equipment does cause harmful interference to radio or television reception, which can be determined by turning the equipment off and on, the user is encouraged to try to correct the interference by one or more of the following measures:

- Reorient or relocate the receiving antenna.
- Increase the separation between the equipment and receiver.
- Connect the equipment into an outlet on a circuit different from that to which the receiver is connected.
- Consult the dealer or an experienced radio/TV technician for help.

The following responsible party designated in FCC §2.909 is responsible for this declaration:

Model Number: YG098B-NM

Company Name: TAL INTERNATIONAL CORPORATION

Company Address: 2919 E. Philadelphia St., Ontario, CA 91761, U.S.A.

Full Name: James Lai Title: Manager

Telephone Number: (909) 923-2888 Fax: (909) 923-8337



WARNING: To reduce the risk of electric shock, this fan must be installed with an isolating wall control/switch.



WARNING: To reduce the risk of personal injury, do not bend the blade arms (also referred to as flanges), when installing the brackets, balancing the blades or cleaning the fan.



WARNING: Do not insert foreign objects between rotating fan blades.



WARNING: To reduce the risk of fire, electric shock or personal injury, mount the fan to the outlet box marked acceptable for fan support with the screws provided with the outlet box.



CAUTION: To reduce the risk of personal injury, use only the screws provided with the outlet box.

Warranty

We warrant the fan motor to be free from defects in workmanship and material present at time of shipment from the factory for a period of lifetime after the date of purchase by the original purchaser. We also warrant that all other fan parts, excluding any glass or acrylic blades, to be free from defects in workmanship and material at the time of shipment from the factory for a period of one year after the date of purchase by the original purchaser. We agree to correct such defects without charge or at our option replace with a comparable or superior model if the product is returned. To obtain warranty service, you must present a copy of the receipt as proof of purchase. All costs of removing and reinstalling the product are your responsibility. Damage to any part such as by accident, misuse, improper installation or by affixing any accessories, is not covered by this warranty. Because of varying climatic conditions this warranty does not cover any changes in brass finish, including rusting, pitting, corroding, tarnishing or peeling. Brass finishes of this type give their longest useful life when protected from varying weather conditions. A certain amount of "wobble" is normal and should not be considered a defect. Servicing performed by unauthorized persons shall render the warranty invalid. There is no other express warranty. We hereby disclaim any and all warranties, including but not limited to those of merchantability and fitness for a particular purpose to the extent permitted by law. The duration of any implied warranty which cannot be disclaimed is limited to the time period as specified in the express warranty. Some states do not allow limitation on how long an implied warranty lasts, so the above limitation may not apply to you. The retailer shall not be liable for incidental, consequential, or special damages arising out of or in connection with product use or performance except as may otherwise be accorded by law. Some states do not allow the exclusion of incidental or consequential damages, so the above exclusion or limitation may not apply to you. This warranty gives specific legal rights, and you may also have other rights which vary from state to state. This warranty supersedes all prior warranties. Shipping costs for any return of product as part of a claim on the warranty must be paid by the customer.

Contact the Customer Service Team at 1-855-HD-HAMPTON or visit www.hamptonbay.com.

Pre-Installation

SPECIFICATIONS

Fan size	Speed	Volts	Amps	Watts	RPM	CFM	N.W.	G.W.	C.F.
52 in.	Low	120	0.27	13.27	58	1927	14.70kgs (32.34 lbs)	17.85 kgs (39.27 lbs)	4.85 cu. ft.
	Medium		0.48	43.04	125	4284			
	High		0.57	66.09	158	5529			



NOTE: These are approximate measures. They do not include amps and wattage used by the light kit.



TOOLS REQUIRED

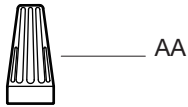


Pre-Installation (continued)

HARDWARE INCLUDED



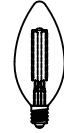
NOTE: Hardware shown to actual size unless noted otherwise in the table below.



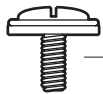
AA



DD



GG



BB



EE



HH



CC

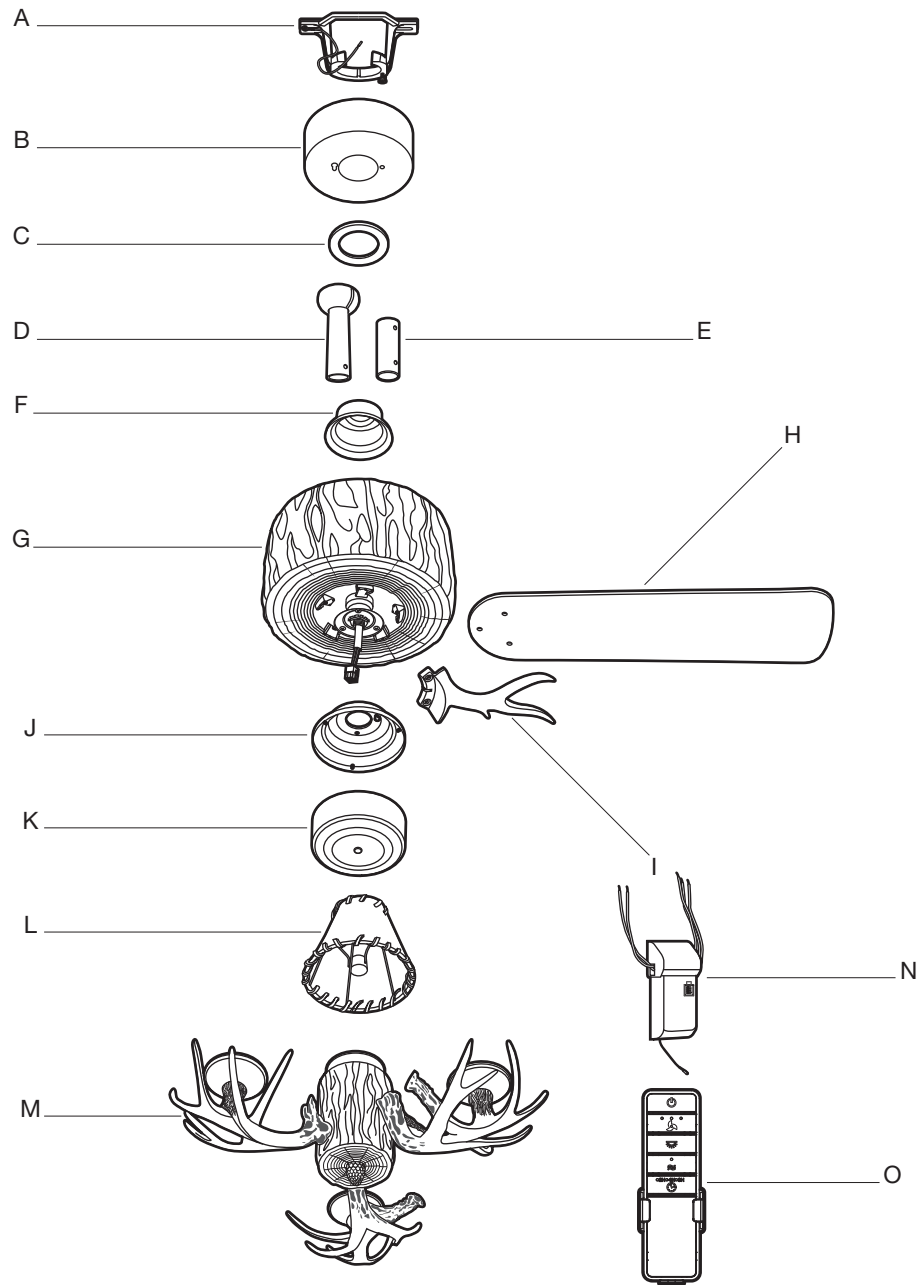


FF

Part	Description	Quantity
AA	Plastic wire nut (not to scale)	3
BB	Blade attachment screw and fiber washer (not to scale)	16
CC	Plastic wire nut (not to scale)	6
DD	1.5V AAA battery (not to scale)	2
EE	Nut (not to scale)	1
FF	Lock washer (not to scale)	1
GG	4-Watt LED bulb (not to scale)	3
HH	Plastic plug (extra) (not to scale)	1

Pre-Installation (continued)

PACKAGE CONTENTS



Part	Description	Quantity
A	Mounting bracket (preassembled)	1
B	Canopy	1
C	Canopy bottom cover (preassembled)	1
D	Hanger ball/downrod assembly (6")	1
E	Extra downrod (4")	1
F	Coupling cover	1
G	Fan motor assembly	1
H	Blade	5

Part	Description	Quantity
I	Blade arm	5
J	Mounting plate	1
K	Switch housing	1
L	Light shade	3
M	Light kit	1
N	Receiver	1
O	Remote control	1

Installation

MOUNTING OPTIONS

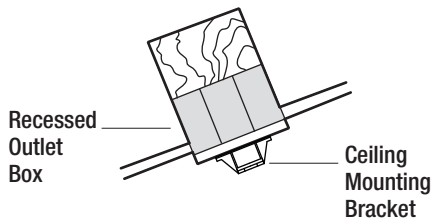
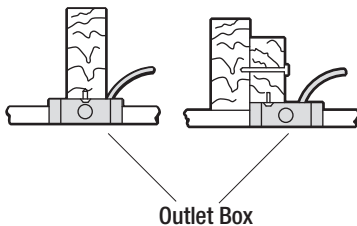
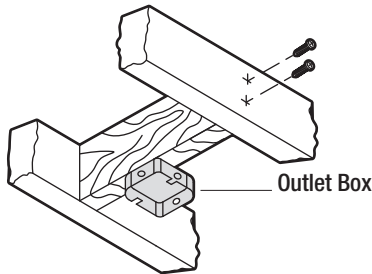


WARNING: To reduce the risk of fire, electric shock, or personal injury, mount the fan to an outlet box marked acceptable for fan support using the screws provided with the outlet box. An outlet box commonly used for the support of lighting fixtures may not be acceptable for fan support and may need to be replaced. If in doubt, consult a qualified electrician.

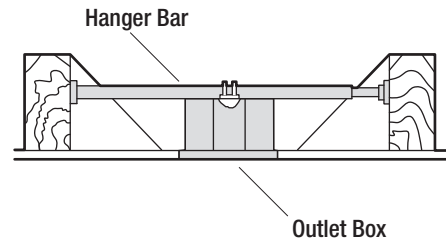
If your ceiling fan does not have an existing UL-listed mounting box, then install one using the following instructions:

- Disconnect the power by removing the fuses or turning off the circuit breakers.
- Secure the outlet box (not included) directly to the building structure. Use appropriate fasteners and materials (not included). The outlet box and its bracing must be able to fully support the weight of the moving fan (at least 35 lbs.). Do not use a plastic outlet box.

The illustrations below show three different ways to mount the outlet box (not included).



NOTE: You may need a longer downrod to maintain proper blade clearance when installing on a steep, sloped ceiling. The maximum angle allowable is 18° away from horizontal. If the canopy touches the downrod, then remove the decorative canopy bottom cover (C) and turn the canopy (B) 180° before attaching the canopy (B) to the mounting bracket (A).

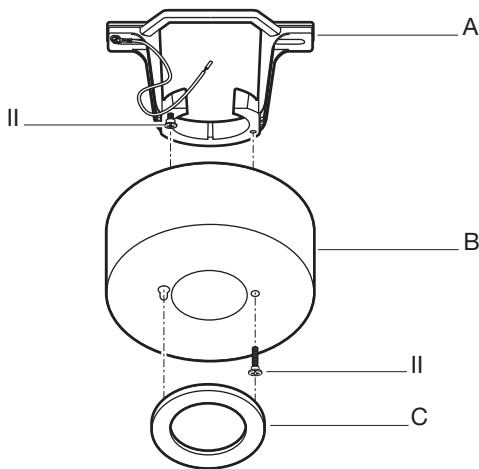


To hang your fan where there is an existing fixture but no ceiling joist, you may need an installation hanger bar (not included) as shown above.

Assembly

1 Preparing the canopy

- Remove the canopy bottom cover (C) from the canopy (B) by turning the canopy bottom cover (C) counter-clockwise.
- Remove the mounting bracket (A) from the canopy (B) by removing the non-slotted canopy mounting screw (II) from the bottom of the canopy (B) and loosening the slotted canopy mounting screw (II) a half turn from the screw head. Next, turn the canopy (B) counterclockwise to remove the mounting bracket (A) from the canopy (B).



2 Changing the downrod (Optional)

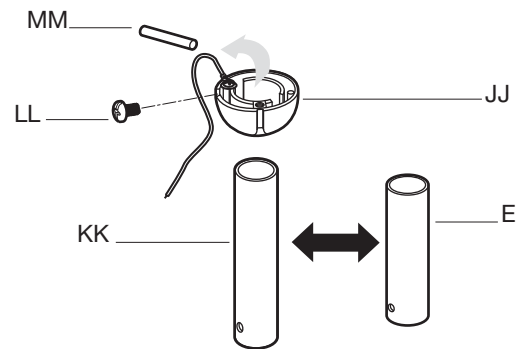


NOTE: Your fan comes with a 6" downrod (KK) attached to the hanger ball (JJ). In addition you have been provided with a 4" downrod (E) to use if desired. If you choose to use the 4" downrod (E), perform the following steps.



NOTE: If a longer downrod is needed (not included), take out the screw located in the hanger ball, lower the hanger ball and remove the pin. Remove all three pieces from the downrod, and assemble them onto the new longer downrod before proceeding step 3.

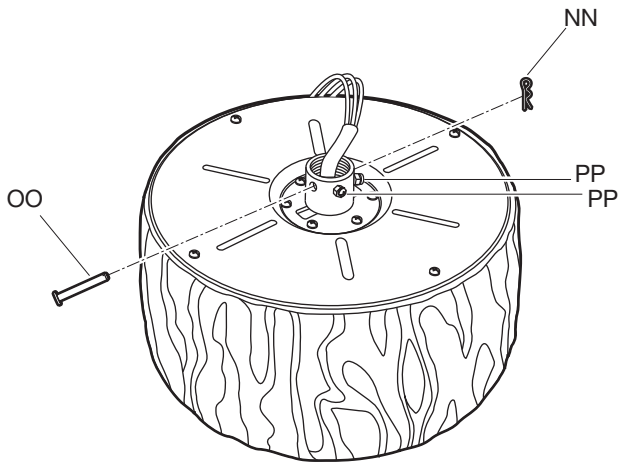
- Remove the hanger ball (JJ) from the 6" downrod (KK) by loosening the setscrew (LL) at the top of the 6" downrod (KK) which holds the hanger ball (JJ) to the 6" downrod (KK).
- Slide the hanger ball (JJ) down the 6" downrod (KK) and remove the cross pin (MM).
- Insert the cross pin (MM) in the holes at the top of the 4" downrod (E) and slide the hanger ball (JJ) up the 4" downrod (E). Make sure the cross pin (MM) is properly seated in the grooves in the top of the hanger ball (JJ).
- Tighten the setscrew (LL) firmly.



Assembly

3 Preparing the motor

- Remove the cotter pin (NN) and clevis pin (OO) , and loosen the two collar setscrews(PP) from the motor collar.

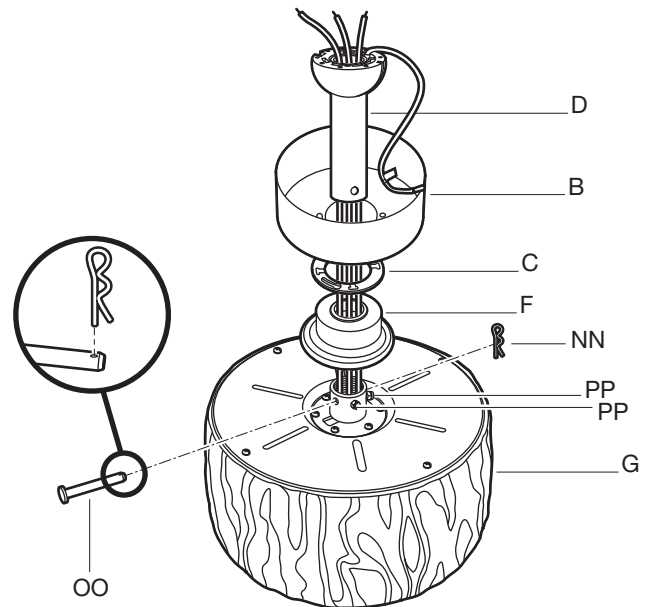


4 Assembling the fan



WARNING: Failure to properly install the cotter pin (NN) could result in the fan becoming loose and possibly falling.

- Route the wires exiting from the top of the fan motor assembly (G) through the coupling cover (F). Ensure the slot openings are on top.
- Route the wires through the canopy bottom cover (C), canopy (B) and then through the hanger ball/downrod assembly (D).
- Align the holes at the bottom of the hanger ball/downrod assembly (D) with the holes in the collar on top of the fan motor assembly (G). Carefully insert the clevis pin (OO) through the holes in the collar and the hanger ball/downrod assembly (D). Be careful not to jam the clevis pin (OO) against the wiring inside the hanger ball/downrod assembly (D).
- Insert the cotter pin (NN) through the hole near the end of the clevis pin (OO) until it snaps into the locked position.
- Tighten the two collar setscrews (PP) on top of the fan motor assembly (G) firmly.



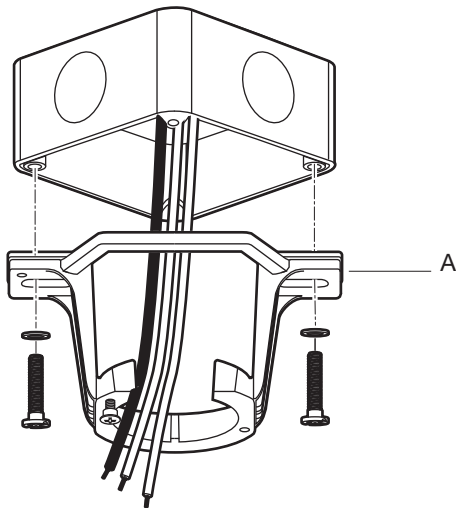
Assembly – Hanging the Fan

5 Attaching the mounting bracket to the electrical box



WARNING: To reduce the risk of fire, electric shock or other personal injury, mount the fan only to an outlet box or supporting system marked acceptable for fan support and use the mounting screws provided with the outlet box.

- Pass the 120-volt supply wires through the center hole in the mounting bracket (A).
- Attach the mounting bracket (A) to the outlet box with the screws and washers provided with the outlet box.
- Securely tighten the two mounting screws.

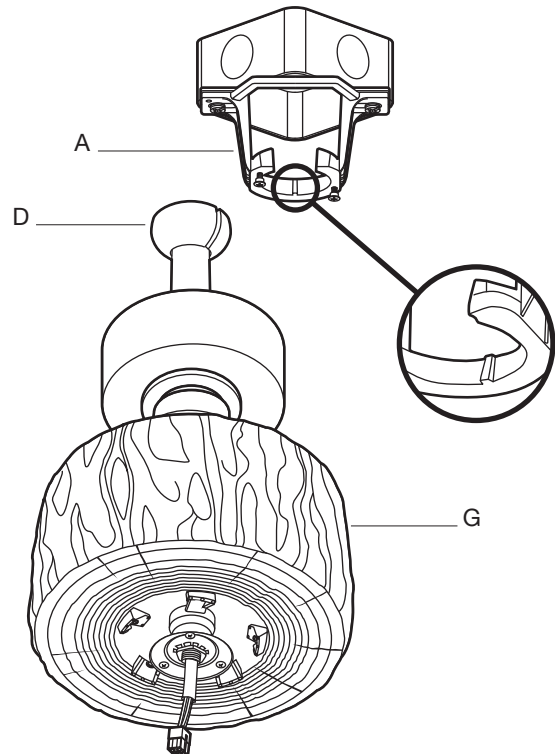


6 Hanging the fan from the mounting bracket



WARNING: The tab in the ring must rest in the groove of the hanger ball/downrod assembly (D). Failure to properly seat the tab in the groove could cause damage to the wiring.

- Carefully lift the fan motor assembly (G) up to the mounting bracket (A) and seat the hanger ball/downrod assembly (D) in the mounting bracket (A) socket. Make sure the tab on the mounting bracket (A) socket is properly seated in the groove in the hanger ball/downrod assembly (D). This will help to balance the ceiling fan.



Assembly — Hanging the Fan (continued)

7 Preparing the receiver and remote control



NOTE: The frequencies on your receiver and remote control have been preset at the factory. Before installing the receiver, make sure the dip switches on the receiver and remote control are set to the same frequency. The dip switches on the remote control are located inside the battery compartment.



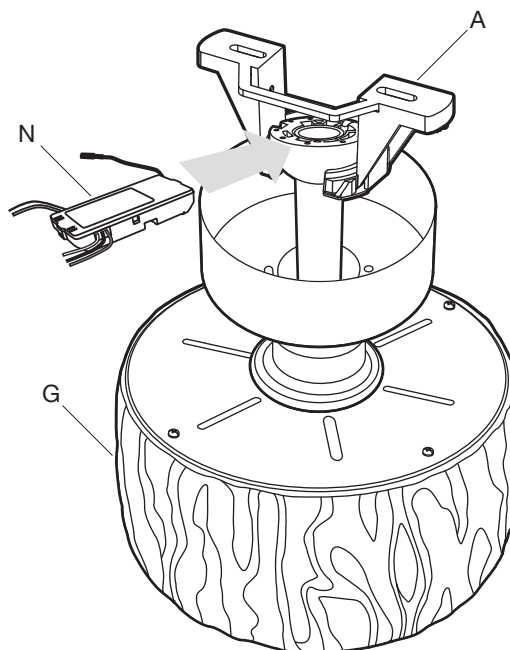
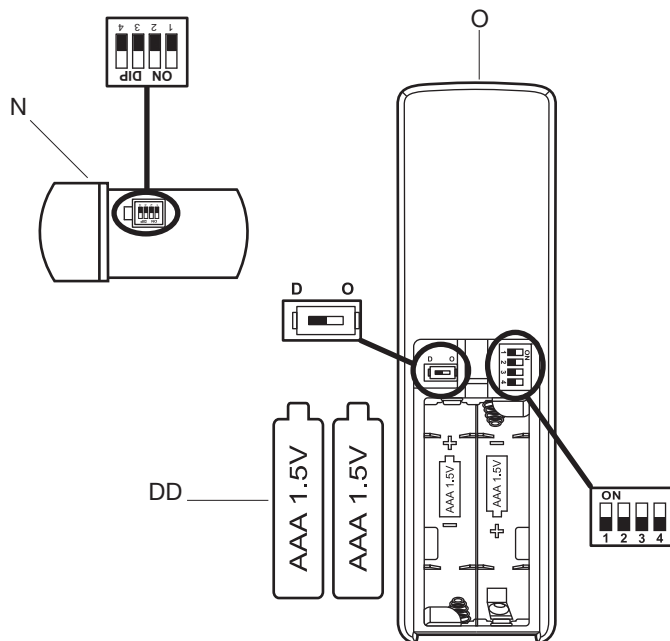
NOTE: The battery will weaken with age and should be replaced before leaking takes place as this will damage the remote control. Dispose of the used battery properly and keep the battery out of the reach of children.

Setting the Code on the Remote:

- Remove the battery cover on the back of the remote control (O) by pressing firmly on the arrow and sliding the cover off.
- Slide the code switches to your choice of either up or down. The factory setting is up.
- The switch marked O/D controls the dimming function of the lights. If using non-dimmable bulbs, use a ballpoint pen or small screwdriver to set the switch to O to disable the dimming function. If using dimmable bulbs, set the switch to D to enable the dimming function.
- Install two AAA batteries (DD) (included).
- Replace the battery cover on the remote control (O).

Setting the Code on the Receiver:

- Slide the code switches on the receiver (N) to the same positions as set on the remote control (O).
- After checking the switches, insert the receiver (N) into the mounting bracket (A) with the flat side of the receiver (N) facing the ceiling.



Assembly — Hanging the Fan (continued)

8 Making the electrical connections



WARNING: Check to see that all connections are tight, including ground, and that no bare wire is visible at the wire nuts, except for the ground wire.



CAUTION: Do not use with a wall light dimmer switch.



NOTE: The fan must be installed at a maximum distance of 20 ft. from the remote control for proper signal transmission between the remote control and the fan's receiving unit.

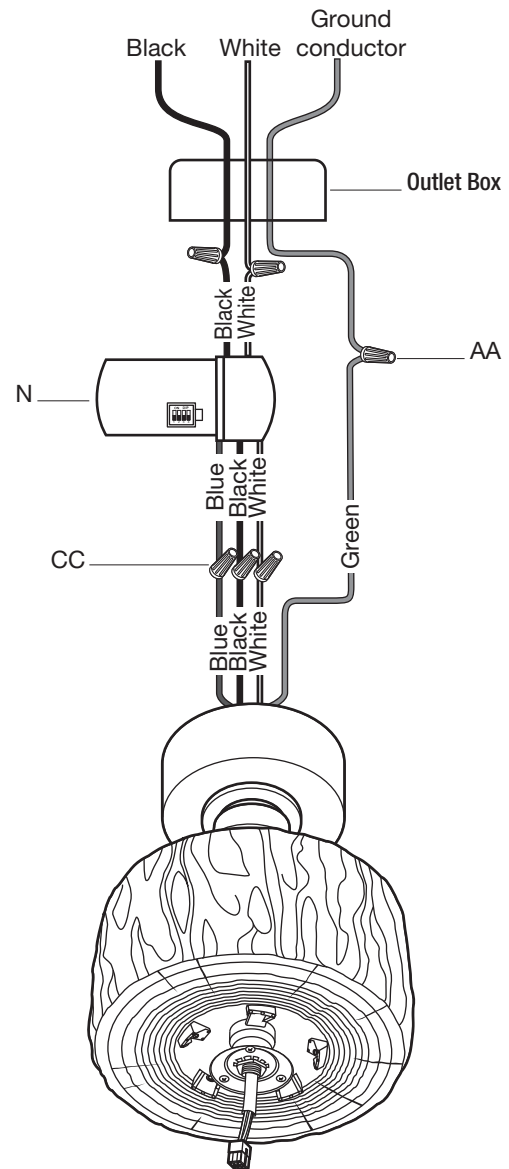
Follow the steps below to connect the fan to your household wiring. Use the plastic wire nuts (AA or CC) with your fan. Secure the plastic wire nuts (AA or CC) with electrical tape. Make sure there are no loose strands or connections.

Motor to receiver electrical connections:

- Connect the black wire from the fan to the black wire marked "TO MOTOR L" from the receiver (N).
- Connect the white wire from the fan to the white wire marked "TO MOTOR N" from the receiver (N).
- Connect the blue wire from the fan to the blue wire marked "For Light" from the receiver (N).

Receiver to house supply wires electrical connections:

- Connect the black (hot) wire from the ceiling to the black wire marked "AC in L" from the receiver (N).
- Connect the white (neutral) wire from the ceiling to the white wire marked "AC in N" from the receiver (N).
- Connect the ground conductor of the 120V supply (this may be a bare wire or a wire with green colored insulation) to the green ground lead(s) of the fan.
- Secure each wire connection with a plastic wire nut (AA) provided with the electrical hardware.
- After connecting the wires, spread them apart so that the green and white wires are on one side of the outlet box and the black and blue wires are on the other side. Carefully tuck the wire connections up into the outlet box.



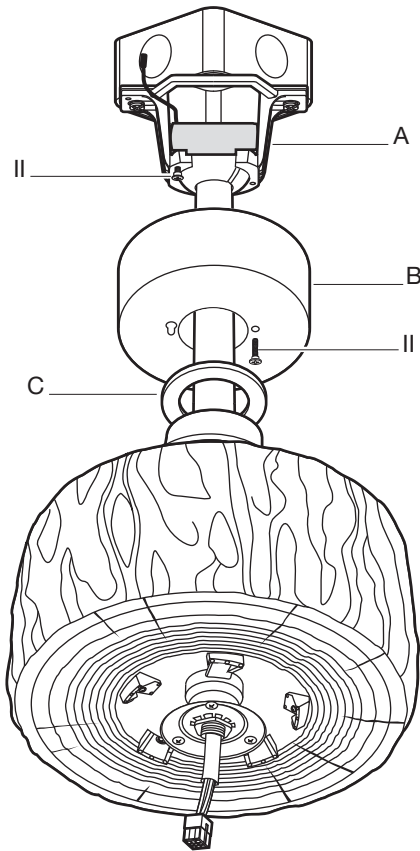
Assembly — Hanging the Fan (continued)

9 Installing the canopy



WARNING: Make sure the tab on the mounting bracket (A) properly sits in the groove in the hanger ball/downrod assembly (D) before attaching the canopy (B) to the mounting bracket (A) by turning the canopy housing until it drops into place.

- Make sure connections are neatly tucked in the ceiling outlet box.
- Slide the canopy (B) up to the mounting bracket (A) and place the key hole on the canopy (B) over the loose canopy mounting screw (II) on the mounting bracket (A). Turn the canopy (B) clockwise until the canopy (B) locks in place at the narrow section of the key holes.
- Align the circular hole on the canopy (B) with the remaining hole on the mounting bracket (A). Secure the canopy mounting screw (II) previously removed in the hole, and tighten the two canopy mounting screw (II).

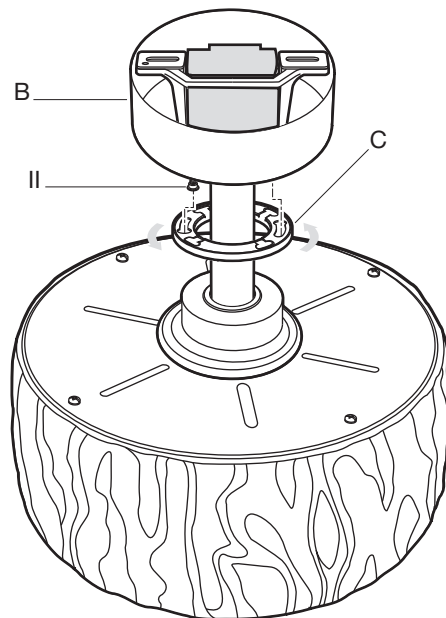


10 Attaching the canopy bottom cover



NOTE: Adjust the canopy mounting screws (II) as necessary until the canopy (B) and canopy bottom cover (C) are snug.

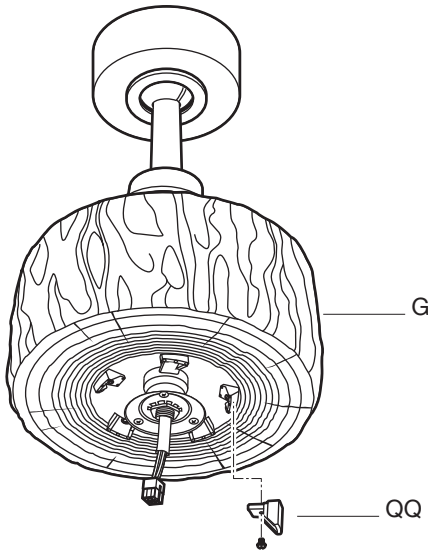
- Attach the canopy bottom cover (C) to the canopy mounting screw (II) heads on the bottom of the canopy (B) by inserting the screw heads into the key slots in the canopy bottom cover (C) and rotating the canopy bottom cover (C) clockwise.



Assembly — Attaching the Fan Blades

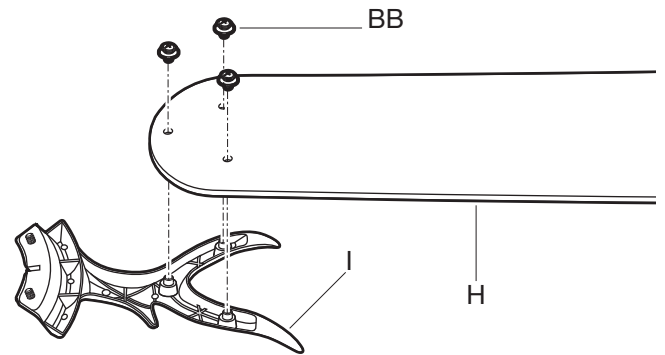
11 Removing the rubber packing mounts

- The fan motor assembly (G) is shipped with rubber packing mounts (QQ) to prevent movement during transportation. Remove the five rubber packing mounts (QQ) from the fan motor assembly (G) and discard prior to attaching the blade arms (I).



12 Attaching the blades to the blade arms

- Attach the blades (H) to the blade arms (I) using the three blade attachment screws and fiber washers (BB). Start a screw and fiber washer (BB) into the blade arm (I), but do not tighten.
- Repeat for the two remaining blade attachment screws and fiber washers (BB).
- Tighten each screw securely starting with the center screw. Make sure the blade (H) is straight.
- Repeat these steps for the remaining blades (H).

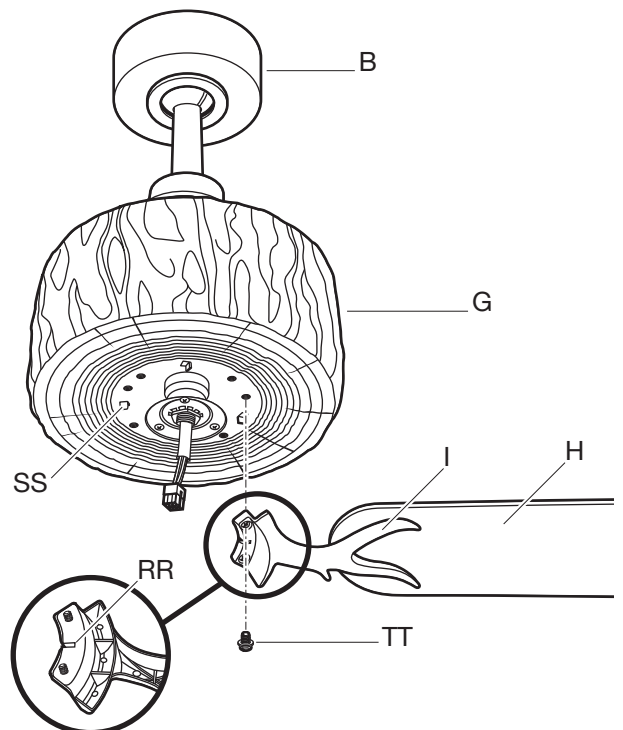


13 Fastening the blade assemblies to the motor



WARNING: To reduce the risk of personal injury, do not bend the blade arms (I) while installing, balancing the blades (H), or cleaning the fan. Do not insert foreign objects between rotating fan blades (H).

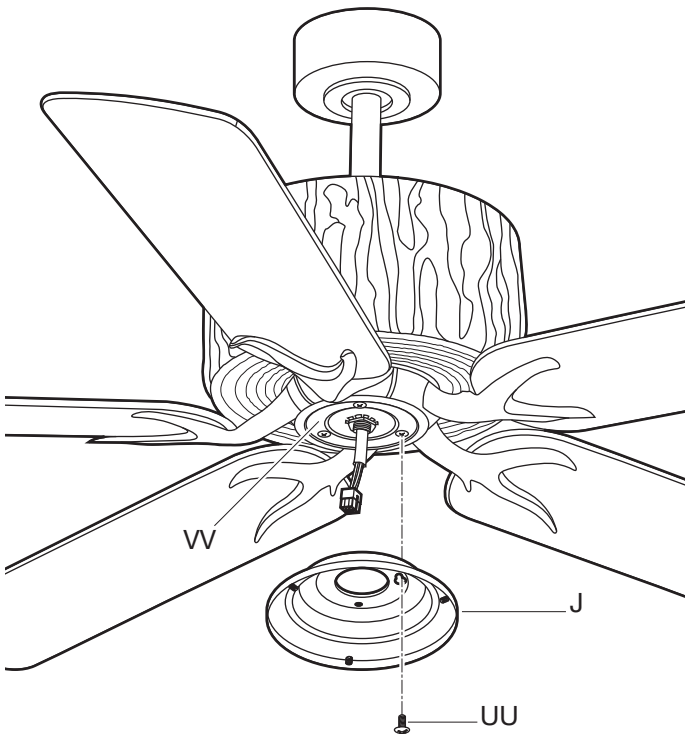
- Fasten the blade assemblies to the fan motor assembly (G) by lining up the slots of the blade arms (I) with the tabs on the motor (SS).
- Tighten the two blade arm screws and lock washers (TT) already installed in the blade arms (I).
- Repeat this procedure for the remaining blade arms (I).



Assembly – Installing the Light Kit

14 Attaching the mounting plate to the mounting ring

- Remove one of the three mounting plate screws (UU) from the mounting ring (VV) and loosen the other two screws (UU). (Do not remove.)
- Place the key holes in the mounting plate (J) over the two screws (UU) previously loosened from the mounting ring (VV). Turn the mounting plate (J) until the mounting plate (J) locks in place at the narrow section of the key holes.
- Secure by tightening the two mounting plate screws (UU) previously loosened and the one previously removed.

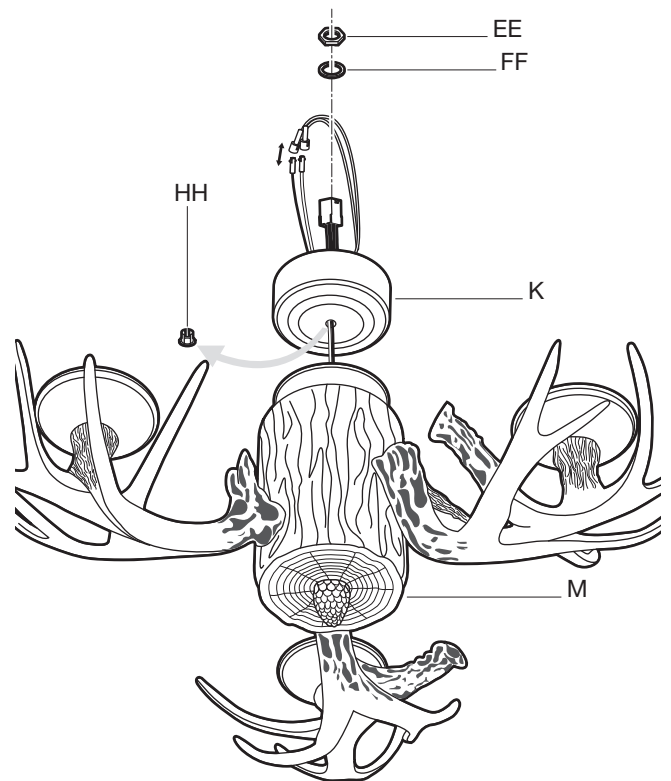


15 Attaching the light kit to the switch housing



NOTE: If you do not plan to install the light kit with your fan at this time, skip step 15, 16 and 17.

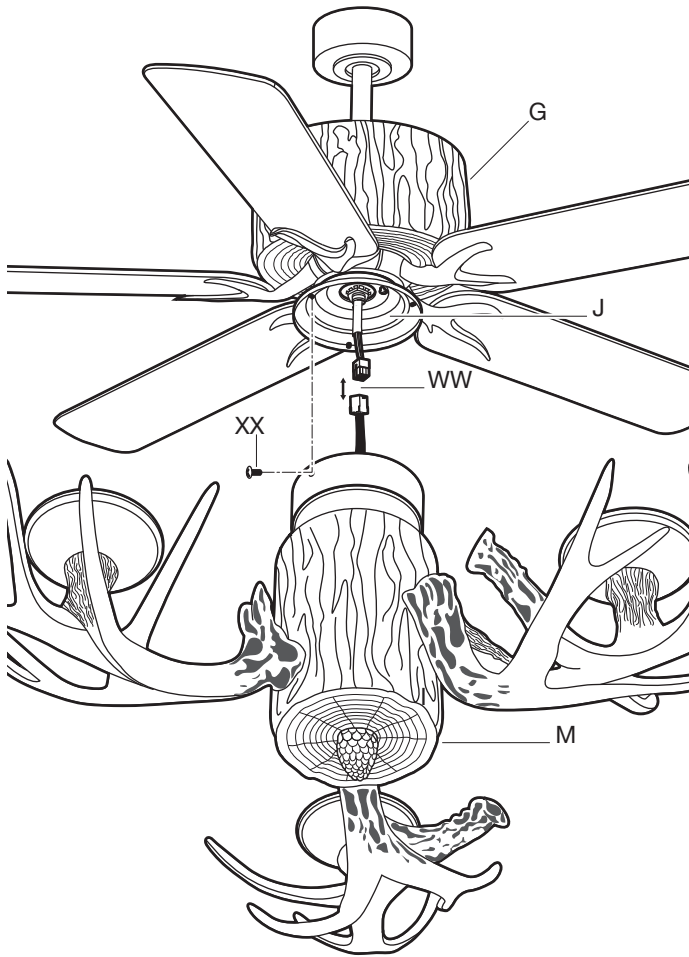
- Remove the plug (HH) from the switch housing (K).
- Carefully feed the light kit wires (black and white) through the hole in the switch housing (K).
- Attach the light kit (M) to the switch housing (K) using the nut (EE) and lock washer (FF). Tighten securely to prevent the light kit (M) from vibrating loose.
- Make the polarized plug connections:
 - White to white
 - Blue to black



Assembly – Installing the Light Kit (continued)

16 Attaching the light kit to the mounting plate

- While holding the light kit assembly (M) under the fan motor assembly (G), snap together the wire connection plugs (WW).
- Carefully push all wires back into the switch housing. Install the light kit assembly (M) onto the mounting plate (J) with the three switch housing mounting screws (XX) provided. Be sure to tighten all screws.

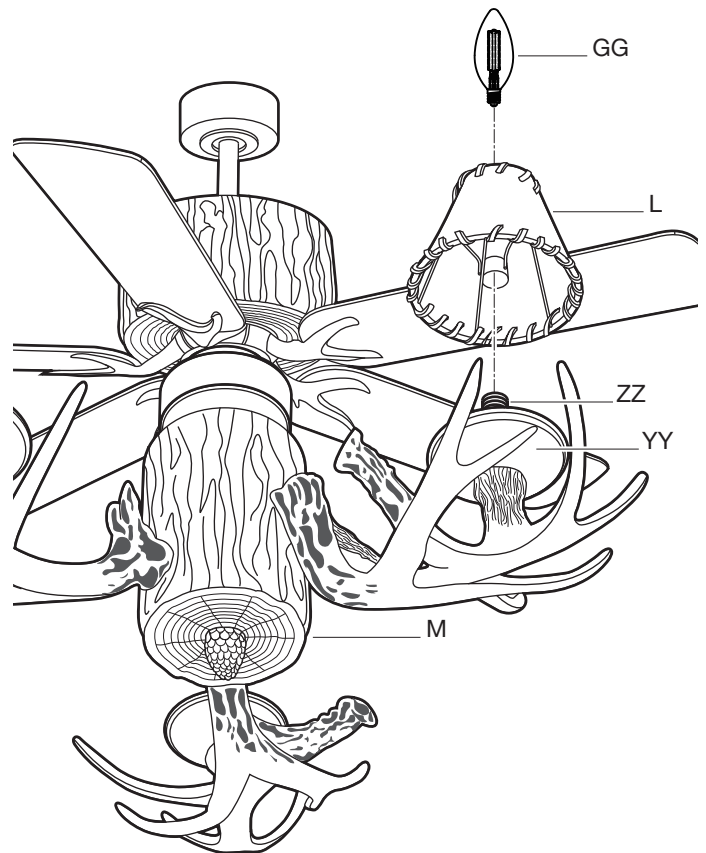


17 Installing the the light shade



CAUTION: Before starting installation, disconnect the power by turning off the circuit breaker or removing the fuse at the fuse box. Turning power off using the fan switch is not sufficient to prevent electric shock.

- Place the light shade (L) on the top of bulb holder (YY), be sure to position the metal arms on the top of sockets (ZZ) correctly, the incorrect installation may cause the touch of light shade (L) and light kit (M) and scratch the light shade (L).
- Install 3 x 4-W LED bulbs (GG) (included).
- Restore power and your light kit is ready for operation.



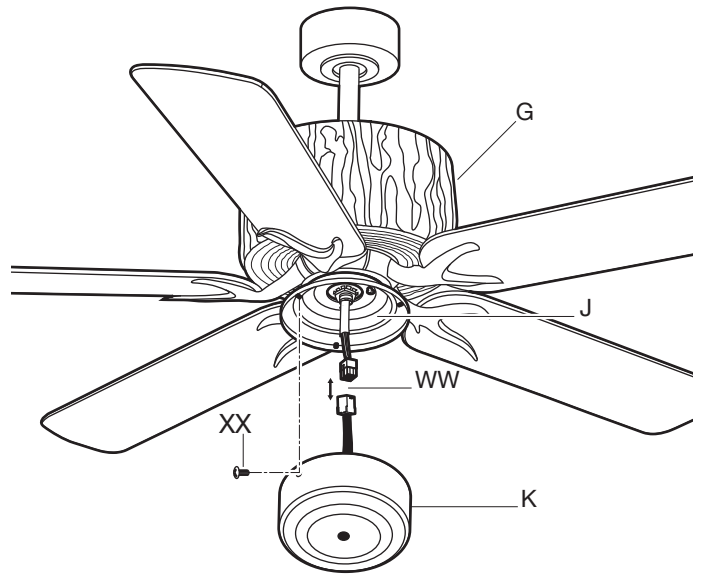
Assembly – Installing the Light Kit (continued)

18 Installing the fan without the light kit (optional)



CAUTION: Before starting installation, disconnect the power by turning off the circuit breaker or removing the fuse at the fuse box. Turning power off using the fan switch is not sufficient to prevent electric shock.

- While holding the switch housing (K) under the fan motor assembly (G), snap together the wire connection plugs (WW).
- Carefully push all wires back into the switch housing (K). Install the switch housing (K) onto the mounting plate (J) with the three switch housing mounting screws (XX) provided. Be sure to tighten all screws.



Operation

REMOTE CONTROL OPERATING INSTRUCTIONS

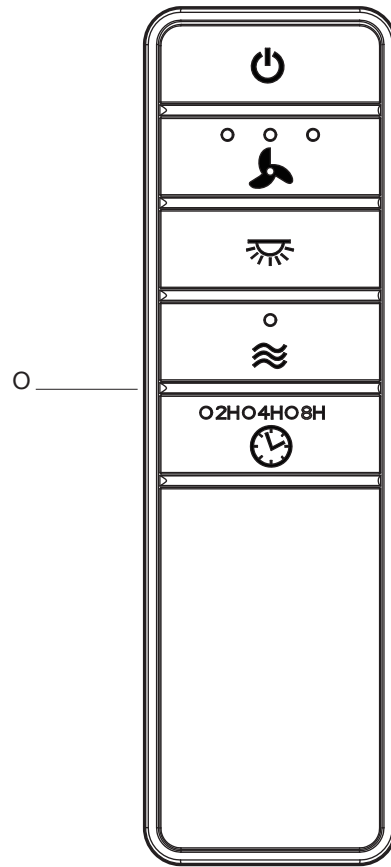
⏻ - Press and release the ⏻ button to turn the fan on or off.

- 🌀 - Press and release 1 time - turns the fan on high speed.
- Press and release 2 times - turns the fan on medium speed.
- Press and release 3 times - turns the fan on low speed.
- Press and release 4 times - turns the fan off.

☀️ - Press and release the ☀️ button to turn the light on or off.
If you are using dimmable bulbs and you have previously set O/D dip switch in your remote to the "D" position, press and hold the ☀️ button to activate the dimmer function.

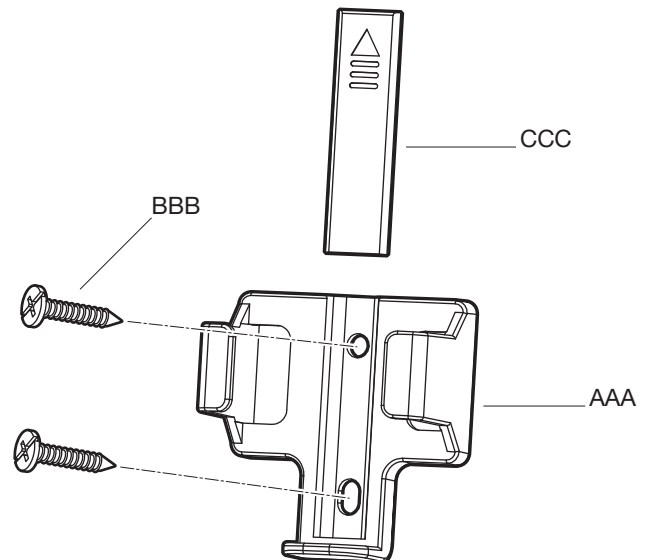
🌀 - Press and hold this button for 3 seconds to enable Comfort Breeze™; this will change your fan speed randomly, simulating a relaxing breeze. To cancel this feature press 🌀 or ⏻ .

- 🕒 - While the fan is on press 1 time - turns on a 2 hour run timer.
- While the fan is on press 2 times - turns on a 4 hour run timer.
- While the fan is on press 3 times - turns on an 8 hour run timer.



INSTALLING THE REMOTE CONTROL HOLDER

- Attach the remote control holder (AAA) with the two remote control holder mounting screws (BBB).
- Replace the remote control holder cover (CCC) into remote control holder (AAA).



Operation (continued)

REVERSE SWITCH OPERATING INSTRUCTIONS

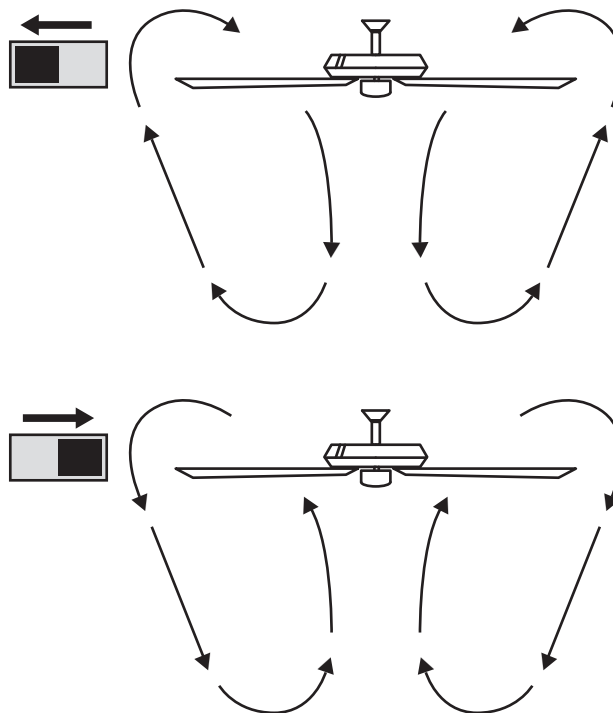
The reverse switch is located on the surface of the switch housing. Slide the switch to the left for warm weather operation. Slide the switch to the right for cool weather operation.



NOTE: Wait for the fan to stop before reversing the direction of the blade rotation.

Warm weather - (Counterclockwise Direction) A downward air flow creates a cooling effect. This allows you to set your air conditioner on a warmer setting without affecting your comfort.

Cool weather - (Clockwise Direction) An upward air flow moves warm air off the ceiling. This allows you to set your heating unit on a cooler setting without affecting your comfort.



Care and Cleaning

Do

- Check the support connections, brackets, and blade attachments twice a year. Make sure they are secure. Because of the fan's natural movement, some connections may become loose over time. It is not necessary to remove the fan from the ceiling.
- Clean your fan periodically. Use only a soft brush or lint-free cloth to avoid scratching the finish. The plating is sealed with a lacquer to minimize discoloration or tarnishing.
- (Optional) Apply a light coat of furniture polish to the wood blades.
- (Optional) Cover small scratches with a light application of shoe polish.

Do not

- Use water when cleaning. Water could damage the motor, or the wood, or possibly cause an electrical shock.
- Apply oil to your fan or motor. The motor has permanently-lubricated sealed ball bearings.

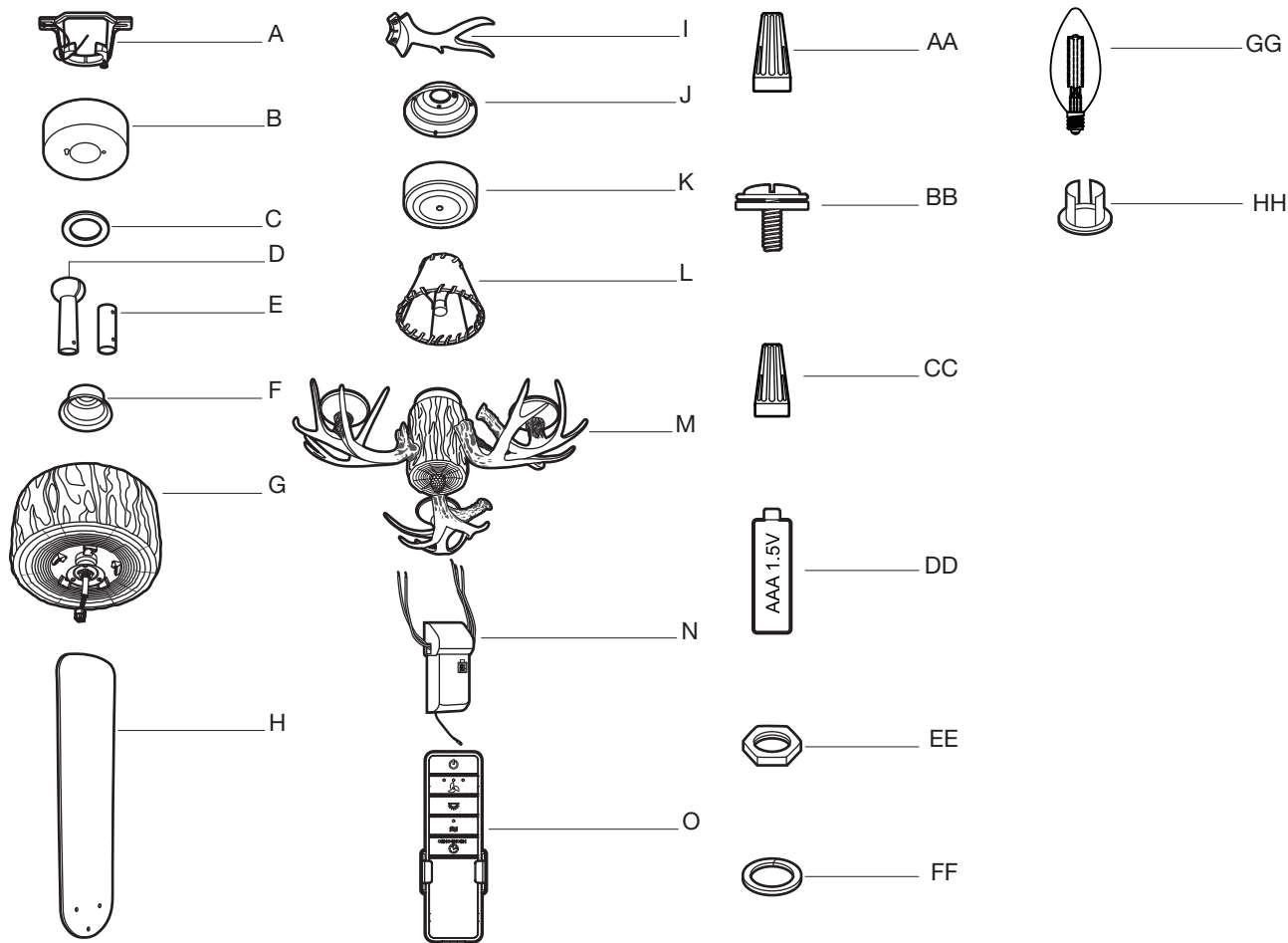
Troubleshooting



WARNING: Make sure the power is off at the electrical panel box before you attempt any repairs. Refer to step 8 "Making the electrical connections" on page 12.

Problem	Solution
The fan will not start.	<input type="checkbox"/> Check the main and branch circuit fuses or breakers.
	<input type="checkbox"/> Check the line wire connections to the fan and switch wire connections in the switch housing.
	<input type="checkbox"/> Check to make sure the frequency switches from the remote control and receiver are set to the same frequency.
The fan sounds noisy.	<input type="checkbox"/> Make sure all motor housing screws are snug.
	<input type="checkbox"/> Make sure the screws that attach the fan blade arm to the motor hub are tight.
	<input type="checkbox"/> Make sure the wire nut connections are not rattling against each other or the interior wall of the switch housing.
	<input type="checkbox"/> Allow a 24-hour "breaking-in" period. Most noises associated with a new fan disappear during this time.
	<input type="checkbox"/> If using the ceiling light kit, make sure the screws securing are tight. Check that the light bulb is also secure.
	<input type="checkbox"/> Make sure there is a short distance from the ceiling to the canopy. It should not touch the ceiling.
	<input type="checkbox"/> Make sure your ceiling box is secure and that rubber isolator pads are used between the mounting bracket and outlet box.
The remote control is not working.	<input type="checkbox"/> Do not connect the fan with wall mounted variable speed control(s).
	<input type="checkbox"/> Make sure the frequency switches are set correctly.
The fan wobbles.	<input type="checkbox"/> Verify that all blades and blade bracket screws are secure (most fan wobble problems are caused by loose parts). Once the fan is properly installed, run the ceiling fan for 10 minutes to let the fan self-adjust. If wobble occurs after running the fan for 10 minutes, verify blade level using the following process: <ul style="list-style-type: none"> - Select a point on the ceiling above the tip of one of the blades, then select any fan blade and measure from the center of the selected blade to the point on the ceiling. Rotate the fan until the next blade is positioned and repeat the measurement using the same point from the ceiling for every blade. Measurement deviations should be within 1/8 in.. - If all deviations are less than 1/8 in. and the fan continues to wobble, please call Customer Service (1-855-HD-HAMPTON) to order a complimentary Blade Balancing Kit. - If deviation is greater than 1/8 in. , please call Customer Service (1-855-HD-HAMPTON) to order complimentary replacements of your brackets.

Service Parts



Part	Description
A	Mounting bracket (preassembled)
B	Canopy
C	Canopy bottom cover (preassembled)
D	Hanger ball/downrod assembly (6")
E	Extra downrod (4")
F	Coupling cover
G	Fan motor assembly
H	Blade
I	Blade arm
J	Mounting plate
K	Switch housing
L	Light shade
M	Light kit
N	Receiver
O	Remote control

Part	Description
AA	Plastic wire nut
BB	Blade attachment screw and fiber washer
CC	Plastic wire nut
DD	1.5V AAA battery
EE	Nut
FF	Lock washer
GG	4-Watt LED bulb
HH	Plastic plug (extra)

HAMPTON BAY[®]

Questions, problems, missing parts? Before returning to the store,
call Hampton Bay Customer Service
8 a.m. - 7 p.m., EST, Monday-Friday, 9 a.m. - 6 p.m., EST Saturday

1-855-HD-HAMPTON

HAMPTONBAY.COM

Retain this manual for future use.