

**Model: YG336-BN**

**120 V~ 60 Hz 167.5 W**

**Read and follow all the instructions  
before using this product.**

106 202



# **Lindbrook 52 in Ceiling Fan Owner's Manual**

---

**Lindbrook  
Ventilador de Techo de 1,32 m  
Manual del Propietario**





**C**ongratulations on your purchase of a Hampton Bay ceiling fan, Your new fan will be a beautiful addition to your home, and will keep you comfortable throughout the year.

The Hampton Bay Fan Company offers a wide variety of ceiling fans. We offer combinations of wood and brass finishes, solid designer colors, and our unique glass and crystal designs.

A large selection of light fixtures and light kits is also available. Ask your dealer about other accessories that will allow you to further customize your fan.

We're certain that your Hampton Bay fan will provide you with many years of comfort, energy savings and satisfaction. To ensure your personal safety and to maximize the performance of your fan, please read this manual thoroughly.

# Lindbrook by Hampton Bay®

**VENTILADOR DE TECHO/CEILING FAN**

Marca/Brand: **HAMPTON BAY**

Modelo/Model: **106202**

120 V~ 60 Hz 167.5 W



*Consumo de energía por unidad de tiempo en operación (Energy Consumption): 176.970 Wh*

*Consumo energético/Energy consumption (Modo espera/Stand by): 0.7152 Wh*

**Importador/Importer: SERVICIOS HOME DEPOT, S. DE R.L. DE C.V.**

Ricardo Margain 605, Santa Engracia, San Pedro Garza García, Nuevo León, C.P. 66267 Tel./Phone: 01 800 004 6633

Lea y siga todas las instrucciones de seguridad y operación antes de usar este aparato/ Read and follow all the instructions of security and operation before using this produc

**CONT. 1 VENTILADOR/FAN**  
Requiere ensamblaje/Assembly required

**Hecho en/Made in: China**

# 52” Lindbrook Ceiling Fan by Hampton Bay

Thank you for purchasing our ceiling fan. This product has been manufactured with the highest standards of safety and quality.

Date Purchased \_\_\_\_\_

Store Purchased \_\_\_\_\_

Model No. \_\_\_\_\_ 106-202

Serial No. \_\_\_\_\_

Vendor No. \_\_\_\_\_ 548810

UPC \_\_\_\_\_ 792145359036

## Table of Contents

Safety Rules . . . . .	1
Unpacking Your Fan . . . . .	2
Installing Your Fan . . . . .	3
Installing the Light Kit . . . . .	11
Operating Your Transmitter . . . . .	12
Care of Your Fan . . . . .	14
Troubleshooting . . . . .	14
Specifications . . . . .	15

# Safety Rules - Read and Save These Instructions

1. To reduce the risk of electric shock, insure electricity has been turned off at the circuit breaker or fuse box before beginning.
2. All wiring must be in accordance with the National Electrical Code “ANSI/NFPA 70-1999” and local electrical codes. Electrical installation should be performed by a qualified licensed electrician.
3. **WARNING:** To reduce the risk of electrical shock or fire, do not use this fan with any solid-state fan speed control device. It will permanently damage the electronic circuitry.
4. **CAUTION:** To reduce the risk of personal injury, use only the screws provided with the outlet box.
5. The outlet box and support structure must be securely mounted and capable of reliably supporting a minimum of 35 pounds, Use only NOM Listed outlet boxes marked “**FOR FAN SUPPORT**”.
6. The fan must be mounted with a minimum of 7 feet clearance from the trailing edge of the blades to the floor.
7. Avoid placing objects in the path of the blades.
8. To avoid personal injury or damage to the fan and other items, be cautious when working around or cleaning the fan.
9. Do not use water or detergents when cleaning the fan or fan blades. A dry dust cloth or lightly dampened cloth will be suitable for most cleaning.
10. After making electrical connections, spliced conductors should be turned upward and pushed carefully up into outlet box. The wires should be spread apart with the grounded conductor and the equipment-grounding conductor on one side of the outlet box and ungrounded conductor on the other side of the outlet box.
11. All set screws must be checked and retightened where necessary before installation.
12. The appliance is not to be used by persons (including children) with reduced physical, sensory or mental capabilities, or lack of experience and knowledge, unless they have been given supervision or instruction.

## **WARNING**

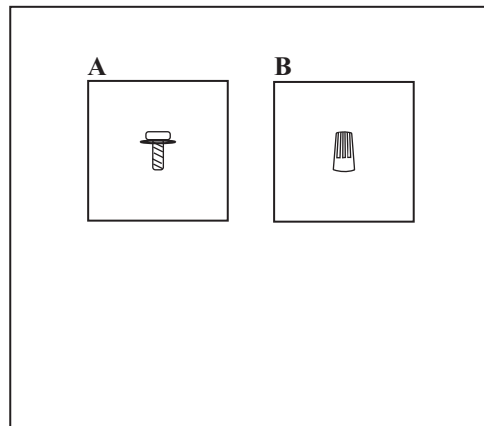
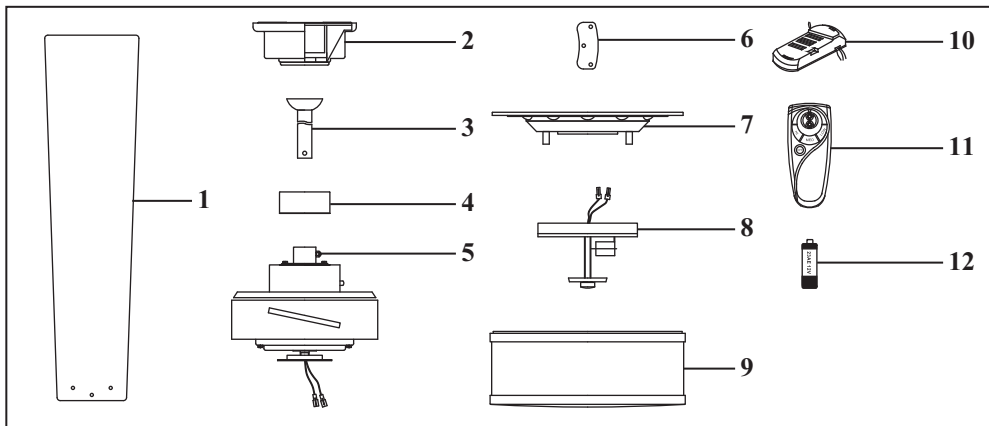
**TO REDUCE THE RISK OF PERSONAL INJURY, DO NOT BEND THE BLADE ARMS (ALSO REFERRED TO AS FLANGES), WHEN INSTALLING THE BRACKETS, BALANCING THE BLADES OR CLEANING THE FAN. DO NOT INSERT FOREIGN OBJECTS IN – BETWEEN ROTATING FAN BLADES.**

## **WARNING**

**TO REDUCE THE RISK OF FIRE, ELECTRIC SHOCK OR PERSONAL INJURY, MOUNT FAN TO OUTLET BOX MARKED ACCEPTABLE FOR FAN SUPPORT WITH THE SCREWS PROVIDED WITH THE OUTLET BOX.**

# Unpacking Your Fan

Unpack your fan and check the contents. You should have the following items:



1. Set of blades (5)
2. Canopy assembly
3. Ball/downrod assembly
4. Coupling cover
5. Fan motor assembly
6. Blade support plates (5)
7. Mounting plate
8. Light kit
9. Glass shade
10. Receiver with 6 wire nuts
11. Transmitter+holder+2 mounting screws  
+ 2 plastic plugs
12. 12V MN21/A23 battery

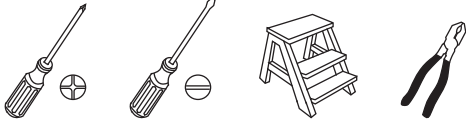
- A. Blade Attachment Hardware  
(16 Screws with lock washers)
- B. Electrical Hardware  
(3 Plastic Wire Nuts)

**WARNING**  
DO NOT INSTALL OR USE FAN IF ANY  
PART IS DAMAGED OR MISSING.  
CALL TOLL FREE 01-800-681-9321.

# Installing Your Fan

## Tools Required

Phillips screwdriver, straight slot screwdriver, step ladder and wire cutters.



## Mounting Options

If there isn't an existing NOM listed mounting box, then read the following instructions. Disconnect the power by removing fuses or turning off circuit breakers.

Secure the outlet box directly to the building structure. Use appropriate fasteners and building materials. The outlet box and its support must be able to fully support the moving weight of the fan (at least 35 lbs). Do not use plastic outlet boxes.

### WARNING

TO REDUCE THE RISK OF FIRE, ELECTRIC SHOCK OR PERSONAL INJURY, MOUNT FAN ONLY TO AN OULET BOX MARKED ACCEPTABLE FOR FAN SUPPORT AND USE THE MOUNTING SCREWS PROVIDED WITH THE OULET BOX. OULET BOX COMMONLY USED FOR THE SUPPORT OF LIGHTING FIXTURE MAY NOT BE ACCEPTABLE FOR FAN SUPPORT AND MAY NEED TO BE REPLACED. CONSULT A QUALIFIED ELECTRICIAN IF IN DOUBT.

Figures 1~3 are examples of different ways to mount the outlet box.

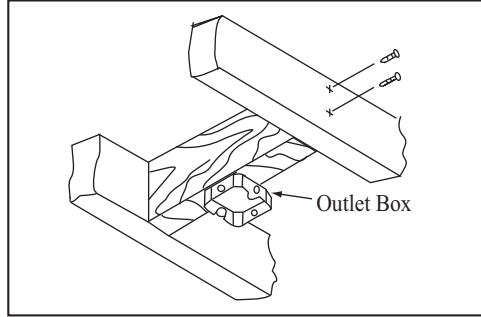


Figure 1

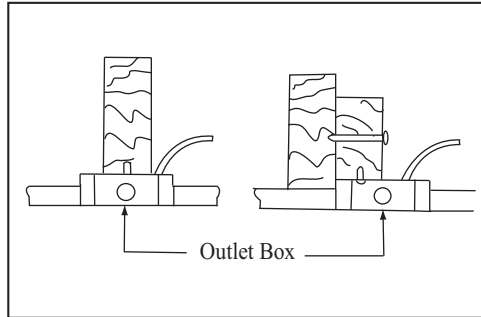


Figure 2

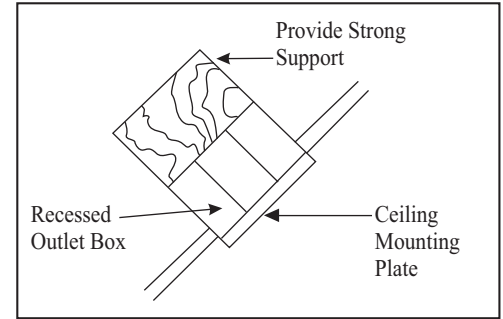


Figure 3

**Note:** You may need a longer downrod to maintain proper blade clearance when installing on a steep, sloped ceiling. The maximum angle allowable is 18°. If the canopy touches downrod, remove the decorative canopy bottom cover and turn the canopy 180° before attaching the canopy to the mounting plate.

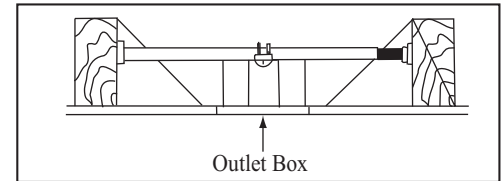


Figure 4

To hang your fan where there is an existing fixture but no ceiling joist, you may need an installation hanger bar as shown in Figure 4 (available at any Home Depot store).

# Hanging the Fan

**REMEMBER** to turn off the power. Follow the steps below to hang your fan properly.

**NOTE:** This ceiling fan is supplied with two types of hanging assemblies; the standard ceiling installation using the downrod with ball and socket mounting, and the "close-to-ceiling" mounting. The "close-to-ceiling" mounting is recommended in rooms with less than 8-foot ceilings or in areas where additional space is desired from the floor to the fan blades.

When using the standard downrod installation, the distance from the ceiling to the bottom of the fan blades will be approximately 12 inches. The "close-to-ceiling" installation reduces the distance from the ceiling to the bottom of the fan blades to approximately 9 inches.

Once you have decided which ceiling installation you will use, proceed with the following instructions. Where necessary, each section of the instructions will note the different procedures to follow for the two types of installation.

## Option 1: Standard Ceiling Mounting

1. Remove the canopy ring from the canopy by turning the canopy ring counterclockwise. (Figure 5)

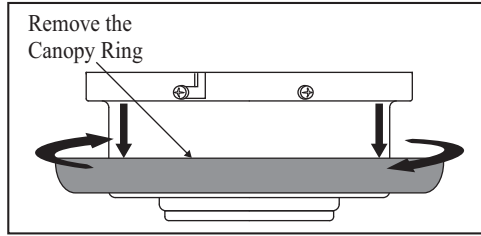


Figure 5

2. Remove the mounting bracket from the canopy by loosening the four screws on the top of the canopy. Remove the two non-slotted screws and loosen the slotted screws. (Figure 6)

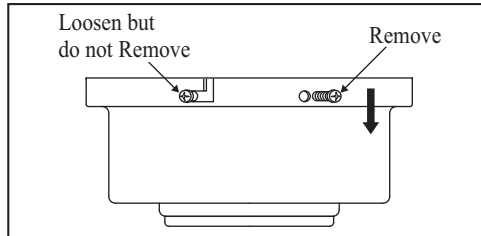


Figure 6

3. Route wires exiting from the top of the fan motor through the coupling cover and canopy ring. Make sure the slot openings are on top. Route the wires through the canopy and then through the ball/downrod assembly. (Figure 7)

4. Loosen, but do not remove the 2 set screws on the collar on top of the motor housing.

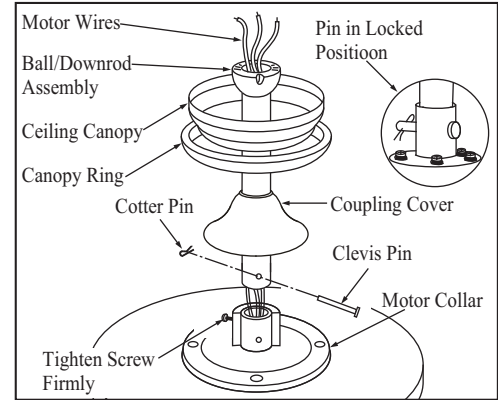


Figure 7

5. Align the holes at the bottom of the downrod with the holes in the coupling on top of the motor housing. (Figure 7) Carefully insert the clevis pin through the holes in the collar and downrod. Be careful not to jam the clevis pin against the wiring inside the downrod. Insert the cotter pin through the hole near the end of the clevis pin until it snaps into its locked position, as noted in the circle inset of Fig. 7.
6. Tighten two set screws on top of the fan motor firmly. (Figure 7)

### WARNING

**FAILURE TO PROPERLY INSTALL CLEVIS PIN AS NOTED IN STEP 5 COULD RESULT IN FAN LOOSENING AND POSSIBLY FALLING.**



**NOTE:** If a longer downrod is needed, take out the screw located in the hanger ball, lower the hanger ball and remove the pin, remove all 3 pieces from the downrod and assemble them onto the new longer downrod before proceeding step 3. (The longer downrod is available at any Home Depot store)

## Option 2: Close-to-Ceiling Mounting

1. Remove the canopy ring from the canopy by turning the canopy ring counterclockwise. (Figure 5)
2. Remove the mounting bracket from the canopy by loosening the four screws on the top of the canopy. Remove the two non-slotted screws and loosen the slotted screws. (Figure 6)

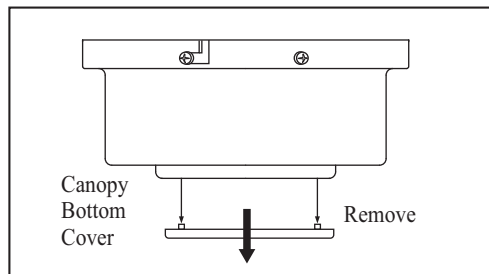


Figure 8

3. Remove the decorative canopy bottom cover from the canopy. (Figure 8)
4. Remove three of the six screws and lock washers (every other one) from the collar of top motor. (Figure 9)
5. Route the wires exiting the top of the fan motor through the canopy ring (make sure the slot openings are on top). then proceed to place the ceiling canopy over the collar at the top of the motor. (Figure 10)
6. Align the mounting holes with the holes in the motor and fasten using the screws and lock washers removed in step 4. (Figure 10)
7. Tighten the mounting screws security.

### WARNING

FAILURE TO COMPLETELY TIGHTEN THE THREE SCREWS IN STEP 7 COULD RESULT IN FAN LOOSENING AND POSSIBLY FALLING.

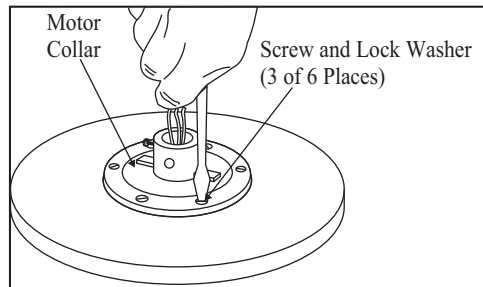


Figure 9

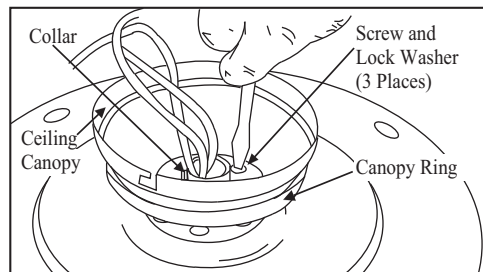


Figure 10

# Installing Fan to the Electrical Box

## WARNING

TO REDUCE THE RISK OF FIRE, ELECTRIC SHOCK OR OTHER PERSONAL INJURY, MOUNT FAN ONLY TO AN OUTLET BOX OR SUPPORTING SYSTEM MARKED ACCEPTABLE FOR FAN SUPPORT AND USE THE MOUNTING SCREWS PROVIDED WITH THE OUTLET BOX.

1. Pass the 120-volt supply wires through the center hole in the mounting bracket. (Figure 11)
2. Attach the mounting bracket on the outlet box by sliding the mounting bracket over the screws provided with the outlet box. (Figure 11) When using “close-to-ceiling” mounting, it is important that the mounting bracket be level. If necessary, use leveling washers (not included) between the mounting bracket and the outlet box. Note that the flat side of the mounting bracket is toward the outlet box. (Figure 11)
3. Securely tighten the two mounting screws.

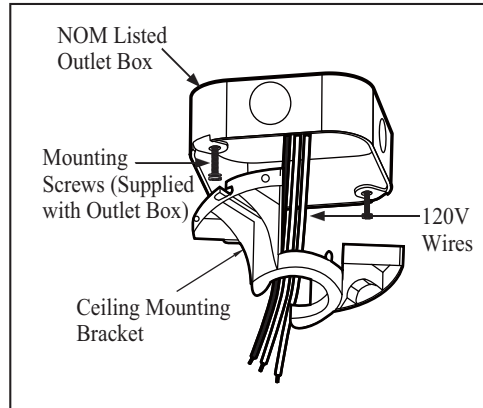


Figure 11

4. Carefully lift the fan assembly up to the ceiling mounting bracket and hang the fan on the tab provided by utilizing one of the holes at the outer rim of the ceiling canopy. (Figure 12) If use standard mounting, seat the hanger ball in the mounting bracket socket. Make sure the tab on the mounting bracket socket is properly seated in the groove in the hanger ball. (Figure 12)

## WARNING

WHEN USING THE STANDARD BALL/ DOWN-ROD MOUNTING, THE TAB IN THE RING MUST REST IN THE GROOVE OF THE HANGER BALL. FAILURE TO PROPERLY SEAT THE TAB IN THE GROOVE COULD CAUSE DAMAGE TO WIRING.

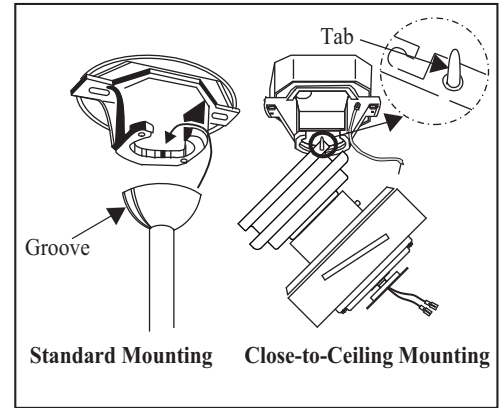


Figure 12

## WARNING

THE TAB AS SHOWN IN FIGURE 12 IS ONLY TO BALANCE THE FAN WHILE ATTACHING WIRING. FAILURE TO HANG AS SHOWN IN FIGURE 14 MAY RESULT IN TAB BREAKING CAUSING THE FAN TO FALL. TAB MUST PASS FROM INSIDE TO OUTSIDE OF CANOPY.

# Making the Electrical Connections

## WARNING

TO AVOID POSSIBLE ELECTRICAL SHOCK, BE SURE ELECTRICITY IS TURNED OFF AT THE MAIN FUSE BOX BEFORE WIRING.

If you feel you do not have enough electrical wiring knowledge or experience, have your fan installed by a licensed electrician.

Follow the steps below to connect the fan to your household wiring. Use the wire nuts supplied with your fan. Secure the wire nuts with electrical tape. Make sure there are no loose strands or connections.

This remote control unit is equipped with 16 code combinations to prevent possible interference from or to other remote units. The frequency switches on your receiver and transmitter have been preset at the factory. Please recheck to make sure the switches on the transmitter and the receiver are set to the same position, any combination of settings will operate the fan as long as the transmitter and receiver are set to the same position. (Figure 13)

1. Insert the receiver into the mounting bracket with the flat side of the receiver facing the ceiling as Figure 14.

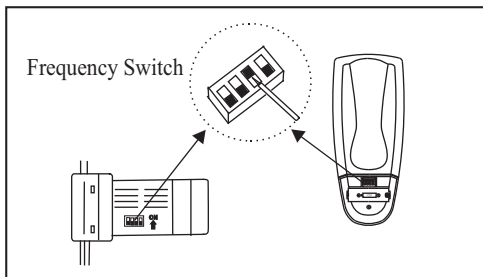


Figure 13

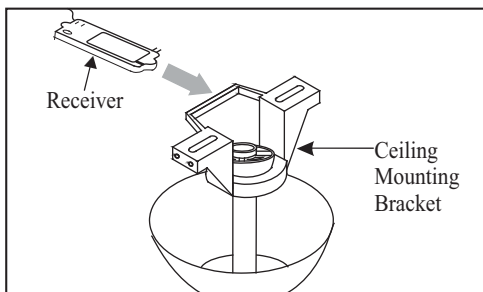


Figure 14

2. (Figure 15) Motor to receiver electrical connections: Connect the black wire from the fan to black wire marked "TO MOTOR L". Connect the white wire from the fan to the white wire marked "TO MOTOR N" from the receiver. Connect the blue wire from the fan to the blue wire marked "For Light" from the receiver. Secure the wire connections with the plastic wire connecting nuts provided.

3. (Figure 15) Receiver to house supply wires electrical connections: Connect the black (hot) wire from the ceiling to the black wire marked "AC in L" from the receiver. Connect the white (neutral) wire from the ceiling to the white wire marked "AC in N" from the receiver. Secure the wire connections with the plastic wire connecting nuts provided.

4. (Figure 15) If your outlet box has a ground wire (green or bare copper) connect it to the fan ground wires; otherwise connect the hanging bracket ground wire to the mounting bracket. Secure the wire connection with a plastic nut provided. After connecting the wires spread them apart so that the green and white wires are on one side of the outlet box and black and blue wires are on the other side. Carefully tuck the wire connections up into the outlet box.

## NOTE

FAN MUST BE INSTALLED AT A MAXIMUM DISTANCE OF 20 FEET FROM THE TRANSMITTING UNIT FOR PROPER SIGNAL TRANSMISSION BETWEEN THE TRANSMITTING UNIT AND THE FAN'S RECEIVING UNIT.

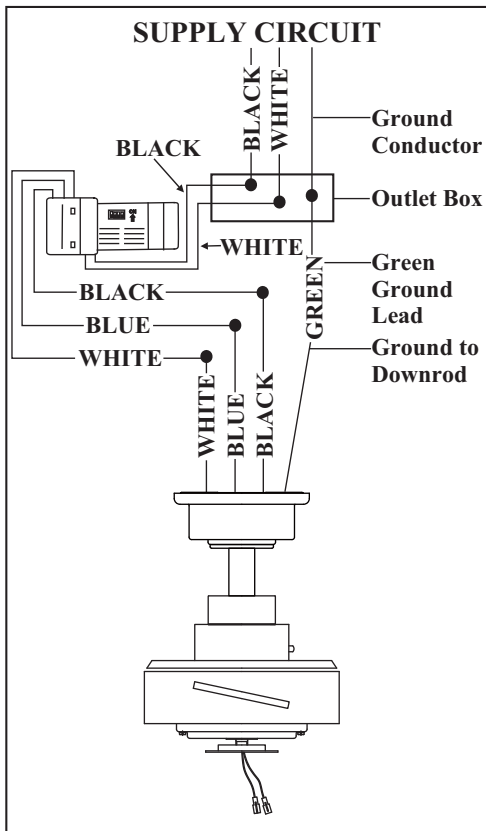


Figure 15

**WARNING**

CHECK TO SEE THAT ALL CONNECTIONS ARE TIGHT, INCLUDING GROUND, AND THAT NO BARE WIRE IS VISIBLE AT THE WIRE NUTS. EXCEPT FOR THE GROUND WIRE.

## Finishing the Fan Installation

### Standard Ceiling Mounting

**WARNING**

LOCKING SLOTS OF CEILING CANOPY ARE PROVIDED ONLY AS AN AID TO MOUNTING. DO NOT LEAVE FAN ASSEMBLY UNATTENDED UNTIL ALL FOUR CANOPY SCREWS ARE ENGAGED AND FIRMLY TIGHTENED.

Slide canopy up to the ceiling as shown in Figure 16. Make sure you place the wires safely into the outlet box. Secure the canopy to the mounting bracket with the four screws with your fan. Slide the canopy ring over the canopy and tighten by turning the canopy ring.

**WARNING**

MAKE SURE THE TAB ON THE MOUNTING BRACKET PROPERLY SITS IN THE GROOVE IN THE HANGER BALL BEFORE ATTACHING THE CANOPY TO THE BRACKET BY TURNING THE HOUSING UNTIL IT DROPS INTO PLACE.

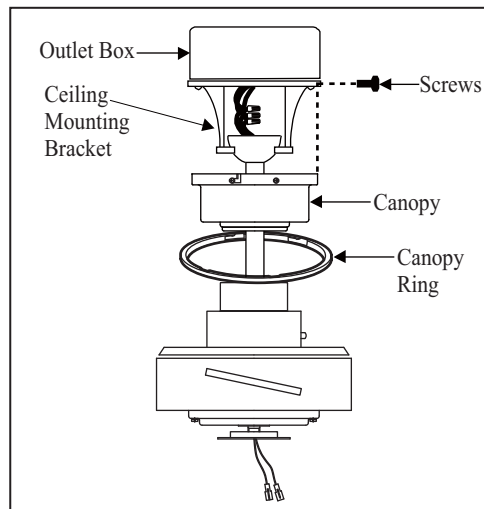


Figure 16

## Close-to-Ceiling Mounting

Remove the fan from the hook on the mounting bracket. Secure the canopy to the mounting bracket with four screws included with your fan. (Fig. 17) Slide the canopy ring over the canopy and tighten by turning the canopy ring.

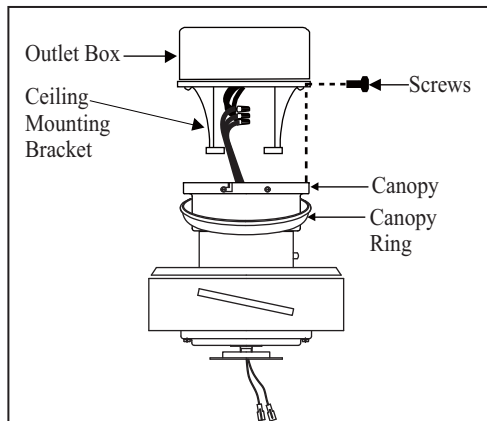


Figure 17

## Attaching the Fan Blades

1. Insert the blade through the slot in the housing. Align the holes in the blade, the blade support plate, and the fan motor assembly and secure with a blade attachment screw with lock washers.
2. Repeat this procedure with the remaining blades.

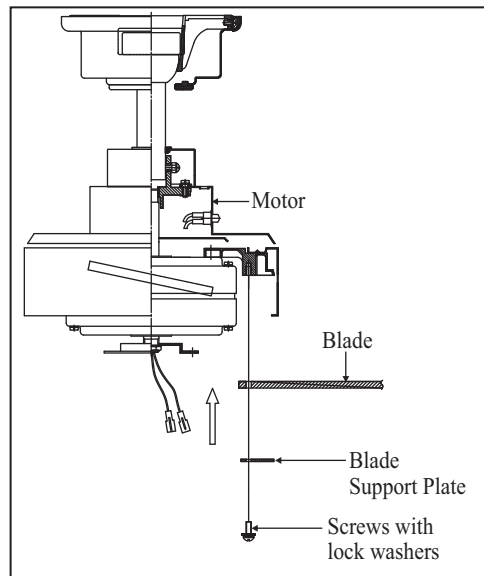


Figure 18

### WARNING

**TO REDUCE THE RISK OF PERSONAL INJURY, DO NOT BEND THE BLADES WHILE INSTALLING, BALANCING THE BLADES, OR CLEANING THE FAN. DO NOT INSERT FOREIGN OBJECTS BETWEEN ROTATING FAN BLADES.**

## Blade Balancing

All blades are grouped by weight during assembly. Because natural woods vary in density, the fan may wobble even though the blades are weight matched. The following procedure should correct most fan wobble. Check after each step.

1. Verify that all blades and blade bracket screws are secure (most fan wobble problems are caused by loose parts). Once the fan is properly installed, run the ceiling fan for 10 minutes to let the fan self-adjust.
2. If wobble occurs after running the fan for 10 minutes, verify blade level using the following process:
  - Select a point on the ceiling above the tip of one of the blades, then select any fan blade and measure from the center of the selected blade to the point on the ceiling (as shown in Figure 19). Rotate the fan until the next blade is positioned and repeat the measurement using the same point from the ceiling for every blade. Measurement deviations should be within 1/8”.
  - If all deviations are less than 1/8” and the fan continues to wobble, please call Customer Service (01-800-681-9321) to order a complimentary Blade Balancing Kit.
  - If deviation is greater than 1/8”, please call Customer Service (01-800-681-9321) to order complimentary replacements of your brackets.

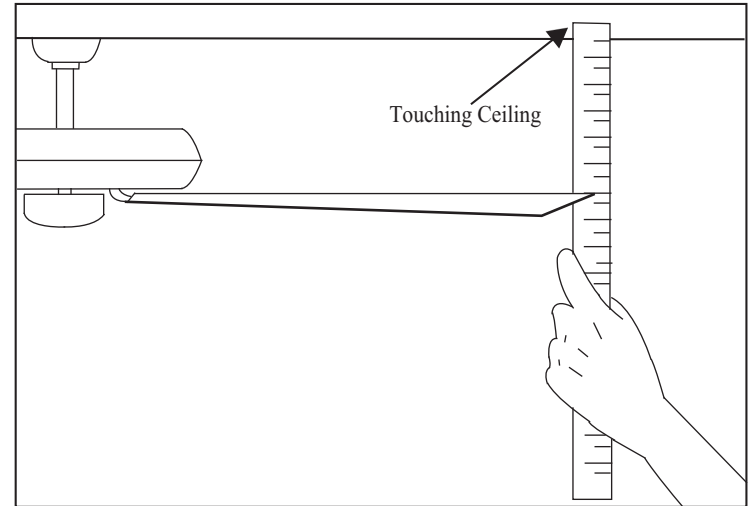


Figure 19

## Installing the Mounting Plate

1. Remove 1 of the 3 screws from the mounting ring and loosen the other 2 screws. (Do not remove)
2. Place the key holes on the mounting plate over the 2 screws previously loosened from the mounting ring, turn mounting plate until it locks in place at the narrow section of the key holes. Secure by tightening the 2 screws previously loosened and the one previously removed. (Fig. 20)

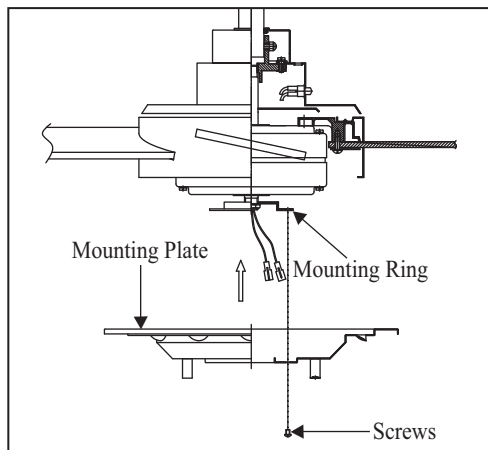


Figure 20

## Installing the Light Kit

### NOTE

BEFORE STARTING INSTALLATION, DISCONNECT THE POWER BY TURNING OFF THE CIRCUIT BREAKER OR REMOVING THE FUSE AT FUSE BOX. TURNING POWER OFF USING THE FAN SWITCH IS NOT SUFFICIENT TO PREVENT ELECTRIC SHOCK.

1. Remove 1 of the 3 screws from the mounting plate and keep it for future use. Loosen the other 2 screws. (Do not remove) (Fig. 21)
2. While holding the light kit assembly under your fan, make the polarized plug connections:
  - White to white
  - Black to black
3. Place the key holes on the light kit over the 2 screws previously loosened from the mounting plate, turn light kit until it locks in place at the narrow section of the key holes. Secure by tightening the 2 screws previously loosened and the one previously removed. (Fig. 21)
4. Install 3 x 40W candelabra bulbs (not included).
5. Remove the decorative nut, glass cap and plastic nut from the light kit. Place the glass shade over the light kit stem and secure with the plastic nut (rubber side on the top). Secure

the glass cap and decorative nut previously removed. Do not overtighten. (Fig. 21)

6. Restore power and your light kit is ready for operation.

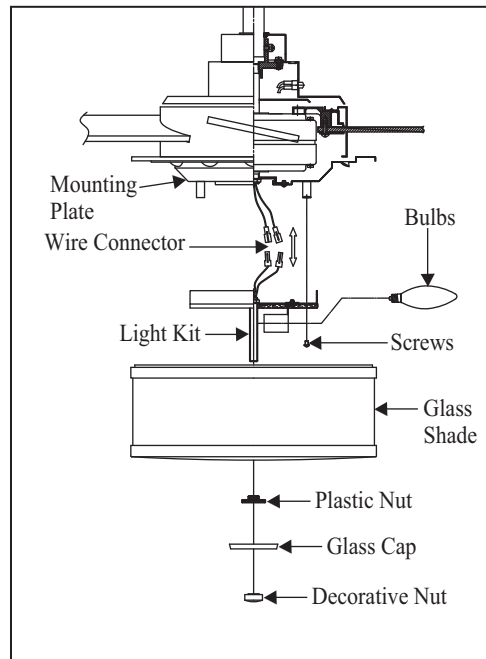



Figure 21

# Operating Your Transmitter

## Installing the Battery:

Install **12V MN21/A23** battery (included). To prevent damage to transmitter, remove the battery if not used for long periods.

( **WARNING:** May explode or leak if recharged, disposed of in fire or dissected. Do not ingest.)

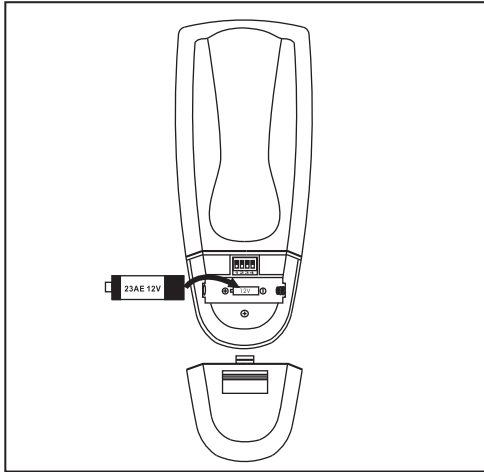



Figure 22

Restore power to the ceiling fan and test for proper operation.

1. **"HI, MED, LOW"** buttons:  
These three buttons are used to set the fan speed as follows:  
**LOW**=Low speed,  
**MED**= Medium speed  
**HI**=High speed
2. **"OFF"** button: This button turns the fan off.
3. The "" button turns the light ON or OFF and also controls the brightness setting. Press and release the button to turn the light ON or OFF. Press and hold the button to set the desired brightness. The light key has an auto-resume, it will stay at the same brightness as the last time it was turned off.

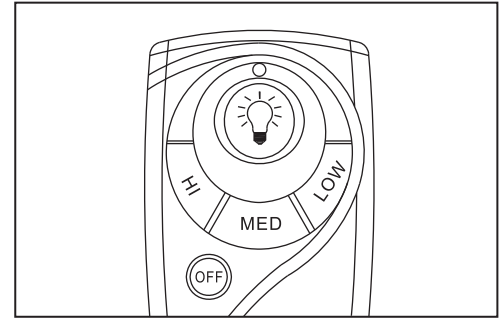


Figure 23



# Installing the Transmitter Holder

1. Remove the two plugs from the holder. Note that the plugs have unique tabs that allows them to fit only in one hole. (Fig. 24)
2. Attach the holder with the two screws provided.
3. Replace the two plugs each into its own hole.

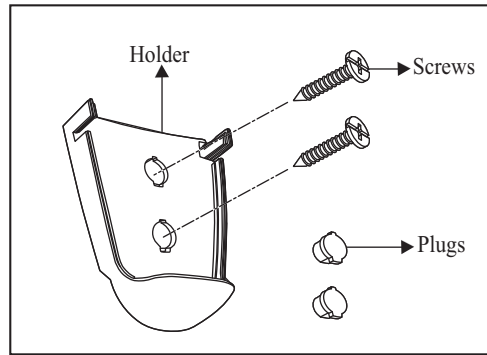


Figure 24

Speed settings for warm or cool weather depend on factors such as the room size, ceiling height, number of fans, etc.

The reverse switch is located on the top of motor housing. Slide the switch to the left for warm weather operation. Slide the switch to the right for cool weather operation.

### NOTE

**WAIT FOR FAN TO STOP BEFORE CHANGING THE SETTING OF THE SLIDE SWITCH.**

**Warm weather** - (Counter-Clockwise direction) A downward air flow creates a cooling effect. (Fig. 25) This allows you to set your air conditioner on a higher setting without affecting your comfort.

**Cool weather** - (Clockwise direction) An upward airflow moves warm air off the ceiling area. (Fig. 26) This allows you to set your heating unit on a lower setting without affecting your comfort.

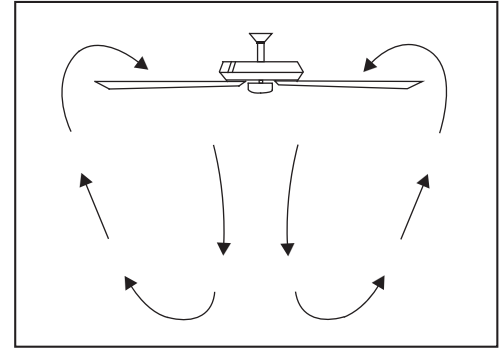


Figure 25

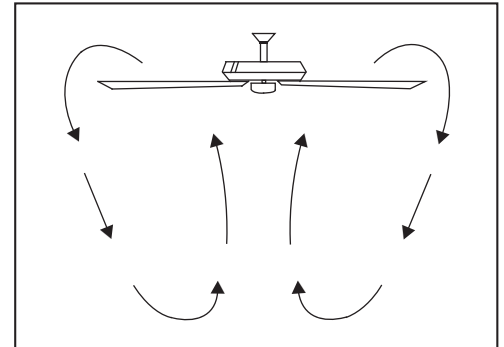


Figure 26

# Care of Your Fan Troubleshooting

Here are some suggestions to help you maintain your fan.

1. Because of the fan's natural movement, some connections may become loose. Check the support connections, brackets, and blade attachments twice a year. Make sure they are secure. (It is not necessary to remove fan from ceiling.)
2. Clean your fan periodically to help maintain its new appearance over the years. Use only a soft brush or lint-free cloth to avoid scratching the finish. The plating is sealed with a lacquer to minimize discoloration or tarnishing. Do not use water when cleaning. This could damage the motor, or the wood, or possibly cause an electrical shock.
3. You can apply a light coat of furniture polish to the wood blades for additional protection and enhanced beauty. Cover small scratches with a light application of shoe polish.
4. There is no need to oil your fan. The motor has permanently lubricated sealed ball bearings.

## PROBLEM

## SOLUTION

The fan will not start.

1. Check main and branch circuit fuses or breakers.
2. Check line wire connections to the fan and switch wire connections in the switch housing.
3. Check to make sure the dip switches from the transmitter and receiver are set to the same frequency.

The fan sounds noisy.

1. Make sure all motor housing screws are snug.
2. Make sure the screws that attach the fan blade bracket to the motor hub are tight.
3. Make sure wire nut connections are not rattling against each other or the interior wall of the switch housing.
4. Allow a 24-hour "breaking-in" period. Most noises associated with a new fan disappear during this time.
5. If using ceiling fan light kit, check that the light bulb is secure.
6. Make sure there is a short distance from the ceiling to the canopy. It should not touch the ceiling.
7. Make sure your ceiling box is secure and rubber isolator pads are used between the mounting bracket and outlet box.

Remote control.

1. Do not connect the fan with a wall mounted variable speed control(s).
2. Make sure the dip switches are set correctly.

## WARNING

**MAKE SURE THE POWER IS OFF AT THE ELECTRICAL PANEL BOX BEFORE YOU ATTEMPT ANY REPAIRS. REFER TO THE SECTION, "MAKING ELECTRICAL CONNECTIONS".**

# Specifications

FAN SIZE	SPEED	VOLTS	AMPS	WATTS	RPM	CMM	N.W.	G.W.	C.F.
52"	LOW	120	0.29	14.52	85	52.78	10.18 kg (22.4 lbs.)	11.30 kg (24.86 lbs.)	2.20'
	MED.		0.37	31.22	139	97.33			
	HIGH		0.39	46.3	171	123.9			

These are approximate measures. They do not include Amps and Wattage used by the light kit .

Importer: **SERVICIOS HOME DEPOT, S. DE R.L. DE C.V.**  
 Ricardo Margain 605, Santa Engracia, San Pedro Garza García,  
 Nuevo León, C.P. 66267. Tel. 01 800 004 6633

**Warranty printed on manual is not valid for Mexico**

Questions, problems, missing parts?

Before returning to the store call our customer service

**01-800-004-6633**

The appliance is not to be used by persons (including children) with reduced physical, sensory or mental capabilities, or lack of experience and knowledge, unless they have been given supervision or instruction.  
 Children should be supervised to ensure that they do not play with the appliance.