

# *Hampton Bay Lifetime Limited Warranty*

The retailer warrants the fan motor to be free from defects in workmanship and material present at time of shipment from the factory for a lifetime after the date of purchase by the original purchaser. The retailer also warrants that all other fan parts, excluding any glass or plexiglass blades, to be free from defects in workmanship and material at the time of shipment from the factory for a period of one year after the date of purchase by the original purchaser. We agree to correct such defects without charge or at our option replace with a comparable or superior model if the product is returned to the retailer. To obtain warranty service, you must present a copy of the receipt as proof of purchase. All costs of removing and reinstalling the product are your responsibility. Damage to any part such as by accident or misuse or improper installation or by affixing any accessories, is not covered by this warranty. Because of varying climatic conditions in the United States this warranty does not cover any changes in brass finish, including rusting, pitting, corroding, tarnishing or peeling. Brass finishes of this type give their longest useful life when protected from varying weather conditions. A certain amount of wobble is normal and should not be considered a defect. Servicing performed by unauthorized persons shall render the warranty invalid. **There is no other express warranty. The retailer hereby disclaims any and all warranties, including but not limited to. Those of merchantability and fitness for a particular purpose to the extent permitted by law.** The duration of any implied warranty which cannot be disclaimed is limited to the time period as specified in the express warranty. Some states do not allow limitation on how long an implied warranty lasts, so the above limitation may not apply to you. **The retailer shall not be liable for incidental, consequential, or special damages arising out of or in connection with product use or performance except as may otherwise be accorded by law.** Some states do not allow the exclusion of incidental or consequential damages, so the above exclusion or limitation may not apply to you. This warranty gives specific legal rights, and you may also have other rights which vary from state to state. This warranty supersedes all prior warranties.

Date Purchased \_\_\_\_\_

Store Purchased \_\_\_\_\_

Model No. \_\_\_\_\_ 278-364

Serial No. \_\_\_\_\_

Vendor No. \_\_\_\_\_ 11289

UPC \_\_\_\_\_ 792145350347

## *Lifetime Limited Warranty*

Safety Rules..... 1.

Unpacking Your Fan ..... 2.

Installing Your Fan ..... 3.

Installing the Light Kit..... 9.

Operating Your Fan ..... 10.

Care of Your Fan .....12.

Troubleshooting ..... 13.

Specifications ..... 14.

*Table of Contents*

1. To reduce the risk of electric shock, insure electricity has been turned off at the circuit breaker or fuse box before beginning.
2. All wiring must be in accordance with the National Electrical Code and local electrical codes. Electrical installation should be performed by a qualified licensed electrician.
3. **WARNING:** To reduce the risk of electrical shock and fire, do not use this fan with any solid-state fan speed control device.
4. **WARNING:** To reduce the risk of fire, electric shock, or personal injury, mount to outlet box marked "Acceptable for Fan Support of **22.7 kg (50 lbs.) Or Less**" and use mounting screws provided with the outlet box. Most outlet boxes commonly used for the support of light fixtures are not acceptable for fan support and may need to be replaced. Consult a qualified electrician if in doubt.
5. The outlet box and support structure must be securely mounted and capable of reliably supporting a minimum of 50 pounds. Use only UL Listed outlet boxes marked **FOR FAN SUPPORT**.
6. The fan must be mounted with a minimum of 7 feet clearance from the trailing edge of the blades to the floor.
7. Do not operate reversing switch while fan blades are in motion. Fan must be turned off and blades stopped before reversing blade direction.
8. Avoid placing objects in the path of the blades.
9. To avoid personal injury or damage to the fan and other items, be cautious when working around or cleaning the fan.
10. Do not use water or detergents when cleaning the fan or fan blades. A dry dust cloth or lightly dampened cloth will be suitable for most cleaning.
11. After marking electrical connections, spliced conductors should be turned upward and pushed carefully up into outlet box. The wires should be spread apart with the grounded conductor and the equipment-grounding conductor on one side of the outlet box.
12. Electrical diagrams are reference only. Light kit that are not packed with the fan must be UL Listed and marked suitable for use with the model fan you are installing. Switches must be UL General Use Switches. Refer to the Instructions packaged with the light kits and switches for proper assembly.

**WARNING**

TO REDUCE THE RISK OF FIRE, ELECTRIC SHOCK OR PERSONAL INJURY, MOUNT FAN TO OUTLET BOX MARKED ACCEPTABLE FOR FAN SUPPORT.

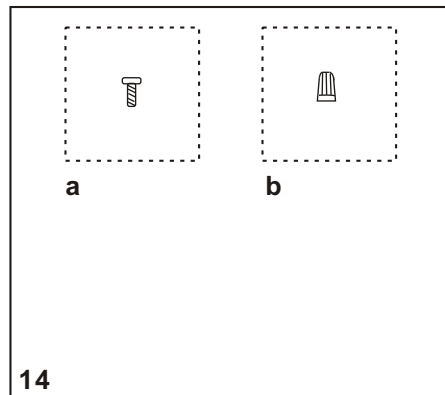
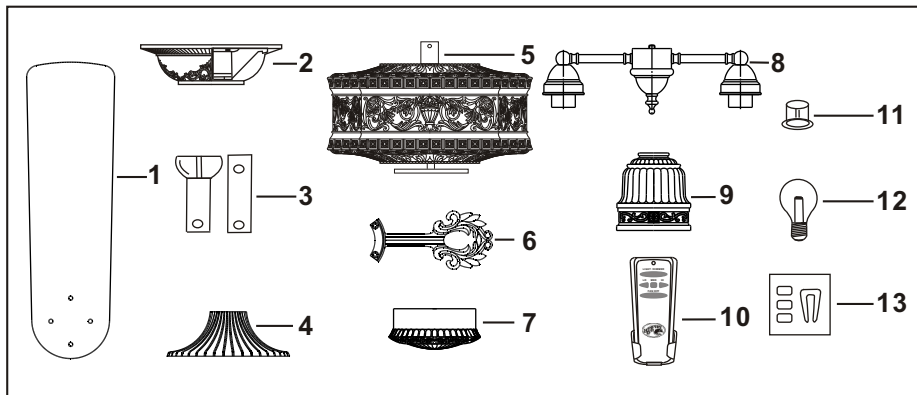
**WARNING**

TO REDUCE THE RISK OF PERSONAL INJURY, DO NOT BEND THE BLADE BRACKETS (ALSO REFERRED TO AS FLANGES) DURING ASSEMBLY OR AFTER INSTALLATION. DO NOT INSERT OBJECTS IN THE PATH OF THE BLADES.

**NOTE**

READ AND SAVE ALL INSTRUCTIONS!

# 1. Safety Rules



Unpack your fan and check the contents. You should have the following items:

- |   |  |
|---|--|
| 1. Set of blades (5)                                | 7. Switch housing                        |
| 2. Canopy assembly                                  | 8. Light kit                             |
| 3. Ball/downrod assembly (1)<br>& extra downrod (1) | 9. Glass shade (4)                       |
| 4. Collar cover                                     | 10. Transmitter+holder+2 mounting screws |
| 5. Fan motor assembly                               | 11. Extra plastic plug                   |
| 6. Set of blades brackets (5)                       | 12. 60 Watt medium base bulbs (4)        |
|   | 13. Balancing kit                        |

14. Loose parts bag containing:

- a. Blade attachment hardware (21 screws)
- b. Mounting hardware (3 plastic wire connectors)

**WARNING**  
DO NOT INSTALL OR USE FAN  
IF ANY PART IS DAMAGED OR MISSING.  
CALL TOLLFREE 877-898-1881

## *Unpacking Your Fan 2.*

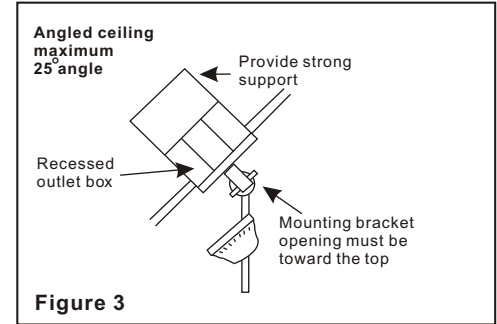
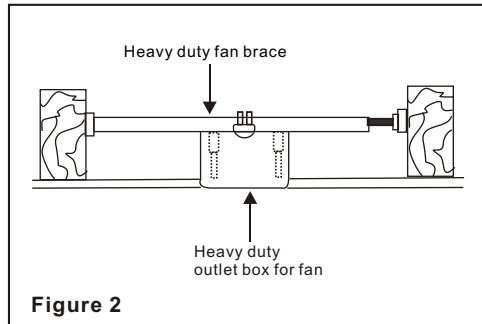
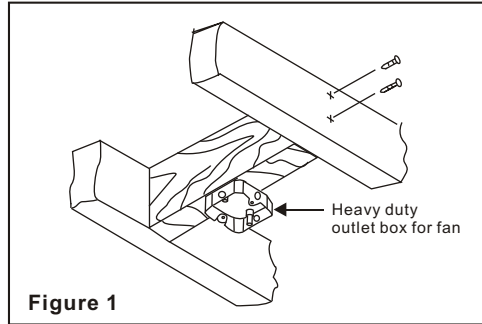
## Tools Required

Phillips screwdriver, straight slot screwdriver, adjustable wrench, step ladder, and wire cutters.

## Mounting Options

Heavy duty ceiling fan rated outlet box is required (at least 50 lbs). Do not use regular outlet box (metal or plastic).

Figure 1, 2 and 3 are examples of different ways to mount the outlet box.



**Note:** You may need a longer downrod to maintain proper blade clearance when installing on a steep, sloped ceiling.

## 3. *Installing Your Fan*

# Hanging the Fan

**REMEMBER** to turn off the power. Follow the steps below to hang your fan properly:

## CAUTION

**REMOVE 5 RUBBERPACKING MOUNTS AND DISCARD BEFORE INSTALLATION.**

**Step 1.** Remove the decorative canopy bottom cover from the canopy by turning the cover counter clockwise. (Fig.4)

**Step 2.** Remove the hanger bracket from the canopy by loosening the two screws on the bottom of the hanger bracket a half turn from the screw head and turning the canopy counter clockwise. (Figure 4)

**Step 3.** Remove the hanger pin, lock pin and set screws from the top of the motor assembly. (Fig. 5)

**Step 4.** Route wires exiting from the top of the fan motor through the collar cover, canopy cover, canopy and then through the ball/ downrod. (Fig. 5)

**Step 5.** Align the holes at the bottom of the downrod with the holes in the collar on top of the motor housing (Fig.5). Carefully insert the hanger pin through the holes in the collar and downrod. Be careful not to jam the pin against the wiring inside the downrod. Insert the locking pin through the hole near the end of the hanger pin until it snaps into its locked position, as noted in the circle inset of Fig. 5.

**WARNING**  
FAILURE TO PROPERLY INSTALL  
LOCKING PIN AS NOTED IN STEP 5 COULD  
RESULT IN FAN LOOSENING AND  
POSSIBLY FALLING.

**Step 6.** Tighten two set screws on top of the fan motor firmly (Figure 5)

**Step 7.** Install the hanger bracket to the outlet box; be sure to align the holes in the hanger bracket with the post holes in the outlet box and secure with screws and washers provided by the outlet box. (Figure 6)

**Step 8.** Hanging the assembled fan onto the mounting bracket, place the downrod ball into the mounting bracket. Rotate fan until the slot of the downrod ball locks into the tab of the mounting bracket. (Figure 7)

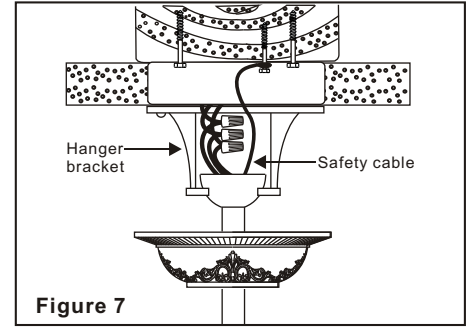
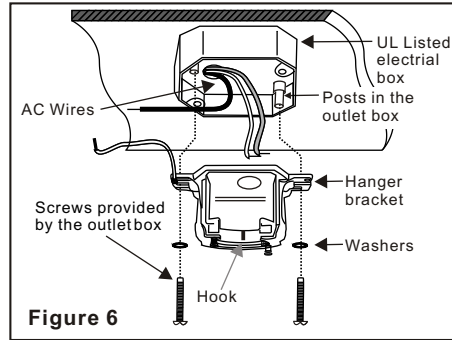
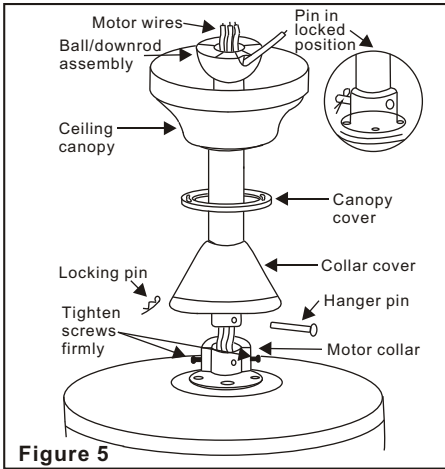
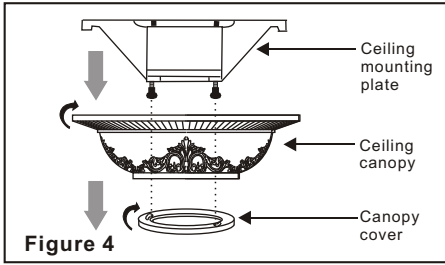
**Step 9.** Secure the safety cable to the building structure as shown in Fig. 7

**Step 10.** Connecting the wires (see making the electrical connections).

## CHANGING THE DOWNROD (OPTIONAL)

**NOTE:** Your fan comes with a 5" downrod attached to the hanger ball. In addition you have been provided with a 7" downrod to use if desired. If you choose to use the 7" downrod, perform the following steps:

1. remove the hanger ball from the downrod by loosening the set screw at the top of the downrod which holds the hanger ball to the downrod.
2. Slide the hanger ball down the downrod and remove the support pin.
3. Insert the support pin in the holes at the top of the 7" downrod and slide the hanger ball up the 7" downrod. Make sure the support pin is properly seated in the grooves in the top of the hanger ball.
4. Tighten the set screws firmly.



## Making the Electrical Connections

**Remember** to disconnect the power.

Follow the steps below to connect the fan to your household wiring. Use the wire connecting nuts supplied with your fan. Secure the connectors with electrical tape. Make sure there are no loose strands or connections.

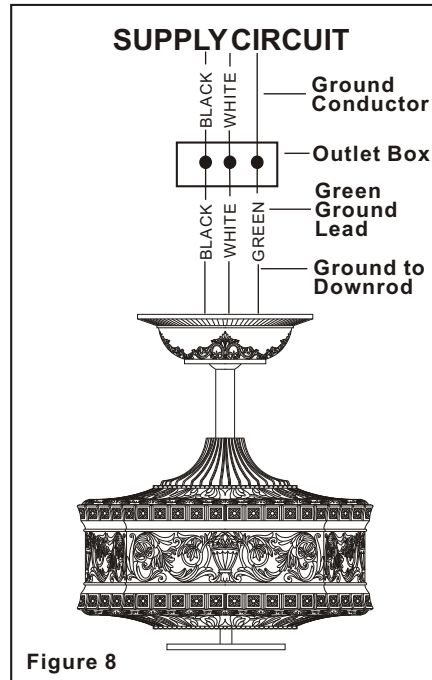
**Step 1** Connect the fan supply (black) wire to the black household supply wire as shown in Figure 8.

**Step 2.** Connect the neutral fan (white) wire to the white neutral household wire.

**Step 3** Connect the fan ground wire (green) to the household ground wire.

**Step 4** After connecting the wires, spread them apart so that the green and white wires are on one side of the outlet box and the black wires are on the other side.

**Step 5** Turn the connecting nuts upward and push the wiring into the outlet box.

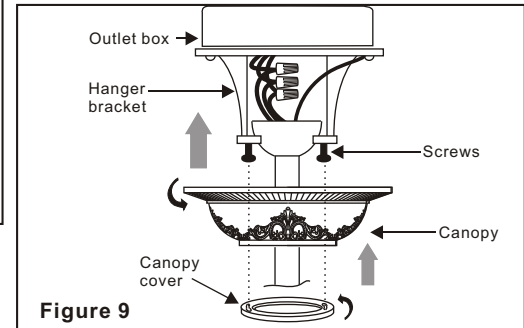


## Finishing the Installation

**Step 1.** Tuck connections neatly into ceiling outlet box.

**Step 2.** Slide the canopy up to ceiling and over the 2 screws on hanger bracket. Rotate canopy clockwise, next, while holding the canopy with one hand, slide the canopy cover over the screws and rotate clockwise until tight. Note: adjust the canopy screws as necessary until the canopy and canopy cover are snug. (Fig. 9)

**WARNING**  
MAKE SURE TAB AT BOTTOM OF HANGER BRACKET IS HANGER PROPERLY SEATED IN GROOVE OF HANGER BALL BEFORE ATTACHING CANOPY TO BRACKET. FAILURE TO PROPERLY SEAT TAB IN GROOVE COULD CAUSE DAMAGE TO ELECTRICAL WIRING.





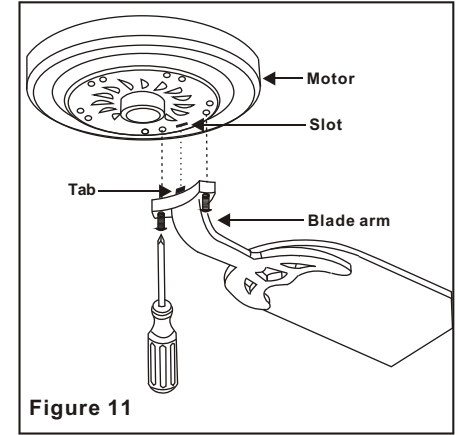
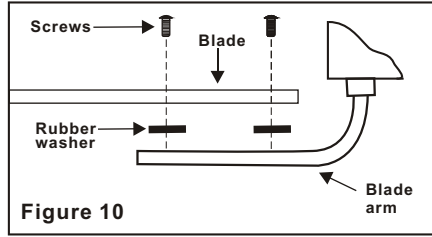
# Attaching the Fan Blades

**Step 1** Attach the blades to the blade arms using three screws and rubber washers as shown in Figure 10. Start a screw into the arm, do not tighten. Repeat for the 2 remaining screws and washers.

**Step 2** Tighten each screw securely starting with the center screw. Make sure the blade is straight.

**Step 3** Fasten the blade arms to the motor by inserting the tab from the blade arms to the slot in the bottom motor housing, then tighten the two screws and washers already installed in the blade arms (Figure 11).

**Step 4** Install an optional light kit if you wish. Follow the instructions included with the kit.



All blades are grouped by weight. Because natural woods vary in density, the fan may wobble even though the blades are weighed equally.

The following procedure should correct most fan wobbling problems. Check after each step.

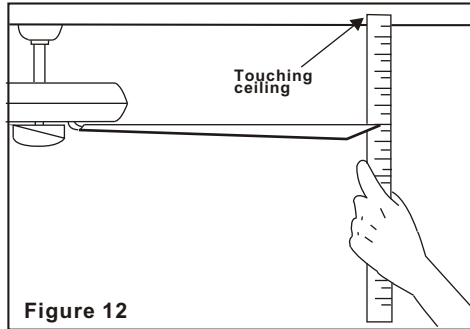
1. Check that all blade and blade arm screws are secure.

2. Most fan wobbling problems are caused when blade levels are unequal. Check this level by selecting a point on the ceiling above the tip of one of the blades. Measure this distance as shown in Figure 12. Rotate the fan until the next blade is positioned for measurement. Repeat for each blade. The distance should be equal within 1/8".

3. Use the enclosed Blade Balancing Kit if the blade wobble is still noticeable.

4. If the blade wobble is still noticeable, interchanging two adjacent (side by side) blades can redistribute the weight and possibly result in smoother operation.

**WARNING**  
**TO REDUCE THE RISK OF PERSONAL INJURY, DO NOT BEND THE BLADE HOLDERS WHILE INSTALLING, BALANCING THE BLADES, OR CLEANING THE FAN. DO NOT INSERT FOREIGN OBJECTS BETWEEN ROTATING FAN BLADES.**



**NOTE:** Before starting installation, disconnect the power by turning off the circuit breaker or removing the fuse at fuse box.

**Turning power off using the fan switch is not sufficient to prevent electric shock.**

1. Attach the light kit to the switch housing by feeding the light kit wires (black and white) through the hole of switch housing and then screw it onto the switch housing by nut & lock washer. Be sure it is tight enough to prevent light kit from vibrating loose. (Fig. 13)
2. Locate two single white and blue wires in the switch housing labeled FOR LIGHT.
3. Make the polarized plug connections:
  - White to white
  - Blue to black
4. While holding the light kit assembly under your fan, snap together the wire connection plugs.
5. Carefully push all wires back into the switch housing, then install the light kit assembly onto the mounting ring with 4 screws provided. Be sure to tighten all screws. (Fig. 14)

6. Remove the lock ring from the socket by turning the lock ring counter-clockwise. Until it unlocks. Insert the glass into the glass holder and turn the lock ring clockwise to tighten the glass. Repeat for the remaining glass. (Fig. 14)

7. With the power off, insert the light bulbs (included) into the light kit sockets. Max. 60 watts.

8. Restore power and your light kit is ready for operation.

**NOTE:** Light bulbs have no warranty, can be purchased at local light bulb specialty store or from our service center.

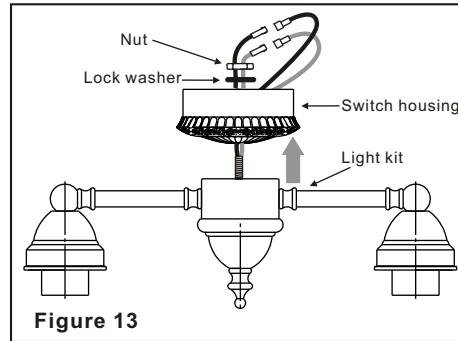


Figure 13

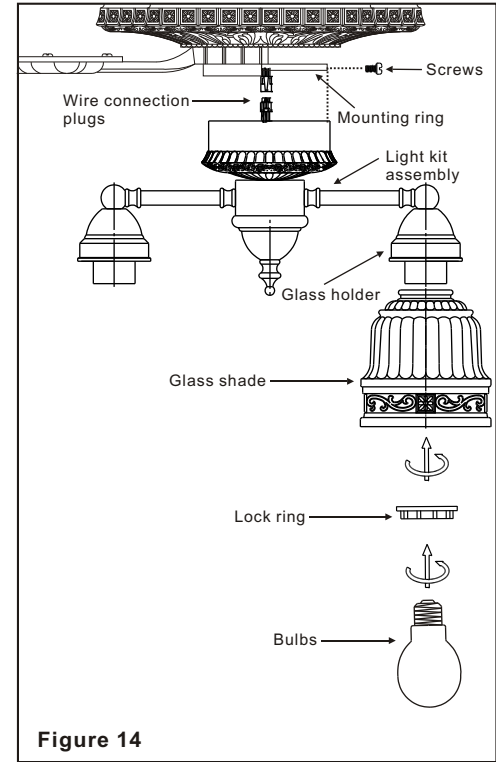


Figure 14

## 9. Installing the Light Kit

1.The receiver frequency selector is located on the top of the motor assembly plate as show in Fig.15.

2.The transmitter frequency selector is located in the battery compartment as show in Fig.16. Each frequency selector has 4 switches, you may use any number of possible combinations but you must set each switch in the transmitter to match the same switch in the receiver.

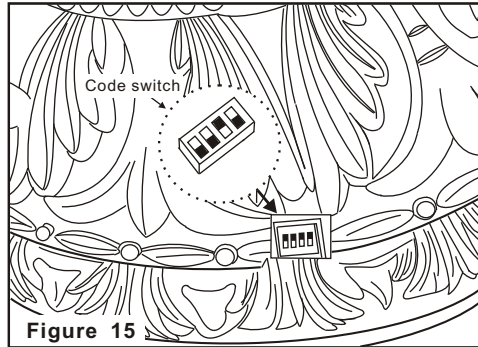


Figure 15

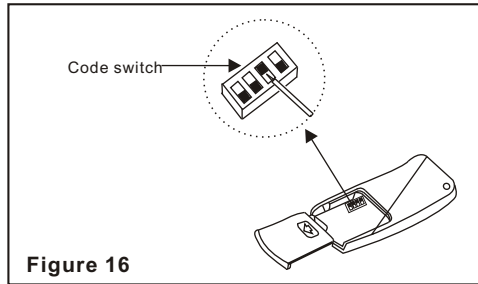


Figure 16

### Installing the battery:

Install 9 volt battery (not included), to prevent damage to transmitter, remove the battery if not used for long periods.

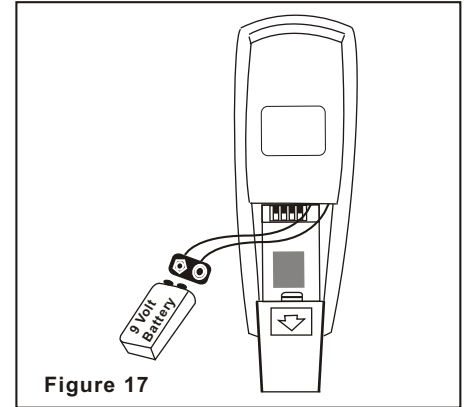
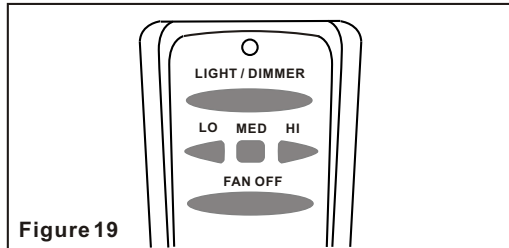


Figure 17

*Operating Your Fan 10.*

## Restore power to ceiling fan and test for proper operation.

1. "**LO, MED, HI**" buttons:  
These three buttons are used to set the fan speed as follows:  
**LO**= Low speed **MED**= Medium speed  
**HI**= High speed
2. "**FAN OFF**" button:  
This button turns the fan off.
3. The "**LIGHT/DIMMER**" button turns the light ON or OFF and also controls the brightness setting. Press and release the button to turn the light ON or OFF. Press and hold the button to set the desired brightness. The light key has an auto-resume, it will stay at the same brightness as the last time it was turned off.



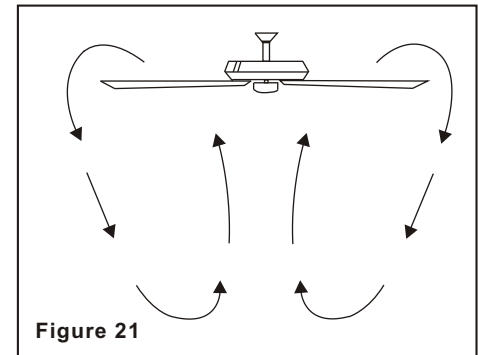
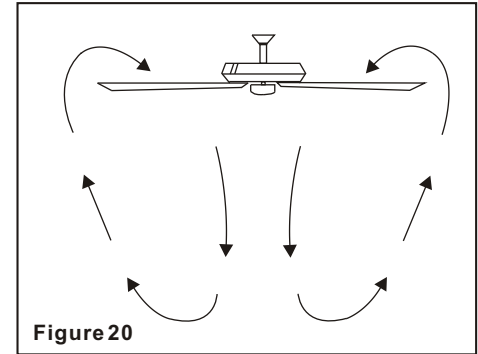
Speed settings for warm or cool weather depend on factors such as the room size, ceiling height, number of fans, etc.

The reverse switch is located on the switch housing. Slide the switch to the Left for warm weather operation. Slide the switch to the Right for cool weather operation.

**NOTE:** Wait for fan to stop before changing the setting of the slide switch.

Warm weather - (Forward) A downward air flow creates a cooling effect as shown in Figure 20. This allows you to set your air conditioner on a higher setting without affecting your comfort.

Cool weather - (Reverse) An upward airflow moves warm air off the ceiling area as shown in Figure 21. This allows you to set your heating unit on a lower setting without affecting your comfort.



Here are some suggestions to help you maintain your fan

1. Because of the fan's natural movement, some connections may become loose. **Check the support connections, brackets, and blade attachments twice a year.** Make sure they are secure. **(It is not necessary to remove fan from ceiling.)**

2. Clean your fan periodically to help maintain its new appearance over the years. Use only a soft brush or lint-free cloth to avoid scratching the finish. The plating is sealed with a lacquer to minimize discoloration or tarnishing. Do not use water when cleaning. This could damage the motor, or the wood, or possibly cause an electrical shock.

3. You can apply a light coat of furniture polish to the wood blades for additional protection and enhanced beauty. Cover small scratches with a light application of shoe polish.

4. **There is no need to oil your fan.** The motor has permanently lubricated bearings.

**IMPORTANT**

MAKE SURE THE POWER IS OFF AT THE ELECTRICAL PANEL BOX BEFORE YOU ATTEMPT ANY REPAIRS. REFER TO THE SECTION "MAKING ELECTRICAL CONNECTIONS"

*Care of Your Fan 12.*

## Problem

## Solution

Fan will not start.

1. Check circuit fuses or breakers.
2. Check line wire connections to the fan and switch wire connections in the switch housing.  
**CAUTION:** Make sure main power is off.
3. Check to make sure the dip switches from the transmitter and receiver are set to the same frequency.

Fan sounds noisy.

1. Make sure all motor housing screws are snug.
2. Make sure the screws that attach the fan blade bracket to the motor hub is tight.
3. Make sure wire nut connections are not rubbing against each other or the interior wall of the switch housing.  
**CAUTION:** Make sure main power is off.
4. Allow a 24-hour "breaking-in" period. Most noise associated with a new fan disappears during this time.
5. If using an optional light kit, make sure the screws securing the glassware are tight. Check that light bulb is also secure.
6. Do not connect the fan with wall mounted variable speed control (s)
7. Make sure the upper canopy is a short distance from the ceiling. **It should not touch the ceiling.**

Remote control malfunction:

1. Do not connect the fan with wall mounted variable speed control (s)
2. Make sure the dip switches are set correctly.

# *13. Troubleshooting*

<b>Fan Size</b>	<b>Speed</b>	<b>Volts</b>	<b>Amps</b>	<b>Watts</b>	<b>RPM</b>	<b>CFM</b>	<b>N.W.</b>	<b>G.W.</b>	<b>C.F.</b>
<b>52"</b>	<b>Low</b>	<b>120</b>					<b>kgs</b>	<b>kgs</b>	<b>2.52'</b>
	<b>Medium</b>	<b>120</b>							
	<b>High</b>	<b>120</b>							

These are approximate measures. They do not include Amps and Wattage used by the light kit.

Distribuido por  
Home Depot Your Other Warehouse, LLC  
12100 Little Cayman DR.  
Baton Rouge, LA 70809

© 2005 Home TLC, Inc. Derechos Reservados  
Hampton Bay es una Marca Registrada de Homer TLC, Inc.

*Specifications 14.*