

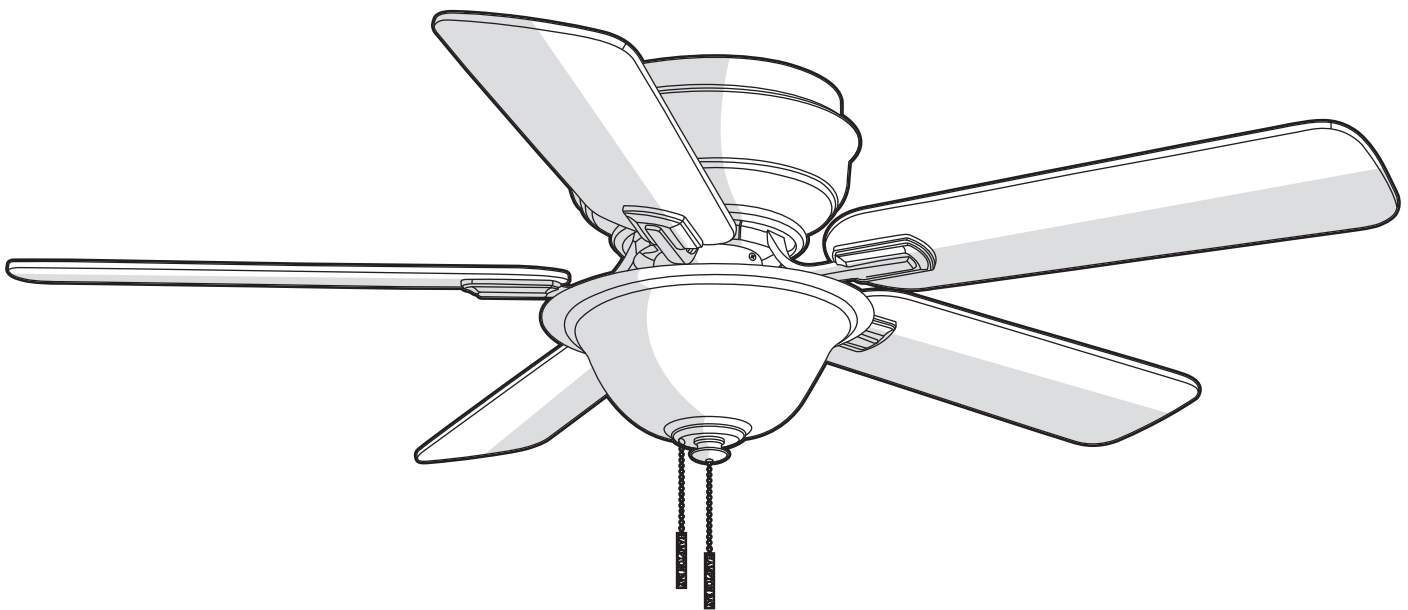
Item #1006 878 798  
#1006 878 800  
Model #YG204D-BN  
#YG204D-ORB

# HAMPTON BAY<sup>®</sup>

## USE AND CARE GUIDE

---

### HAWKINS III 44 IN. CEILING FAN



Questions, problems, missing parts? Before returning to the store,  
call Hampton Bay Customer Service  
8 a.m. - 7 p.m., EST, Monday-Friday, 9 a.m. - 6 p.m., EST Saturday

1-855-HD-HAMPTON

HAMPTONBAY.COM



Visual instruction of how to install this fan:

Visit [www.homedepot.com](http://www.homedepot.com) and enter either the Item or Model number to find  
this fan and click the link of visual instruction in the product overview section.

---

#### THANK YOU

*We appreciate the trust and confidence you have placed in Hampton Bay through the purchase of this ceiling fan. We strive to continually create quality products designed to enhance your home. Visit us online to see our full line of products available for your home improvement needs. Thank you for choosing Hampton Bay!*

# Table of Contents

Table of Contents .....	2	Assembly.....	7
Safety Information .....	2	Operation .....	13
Warranty .....	3	Care and Cleaning .....	14
Pre-installation .....	3	Troubleshooting .....	14
Installation.....	6		

## Safety Information

1. To reduce the risk of electric shock, ensure electricity has been turned off at the circuit breaker or fuse box before beginning.
2. All wiring must be in accordance with the National Electrical Code “ANSI/NFPA 70-1999” and local electrical codes. Electrical installation should be performed by a qualified licensed electrician.
3. The outlet box and support structure must be securely mounted and capable of reliably supporting a minimum of 35 lbs (15.9 kg) or less. Use only UL-listed outlet boxes marked “FOR FAN SUPPORT.”
4. The fan must be mounted with a minimum of 7 ft (2.1 m) clearance from the trailing edge of the blades to the floor.
5. Avoid placing objects in the path of the blades.
6. To avoid personal injury or damage to the fan and other items, be cautious when working around or cleaning the fan.
7. Do not use water or detergents when cleaning the fan or fan blades. A dry dust cloth or lightly dampened cloth will be suitable for most cleaning.
8. After making electrical connections, spliced conductors should be turned upward and pushed carefully up into the outlet box. The wires should be spread apart with the grounded conductor and the equipment-grounding conductor on one side of the outlet box and ungrounded conductor on the other side of the outlet box.
9. All setscrews must be checked and retightened where necessary before installation.

The following responsible party designated in FCC §2.909 is responsible for this declaration:

Model Number: YG204D-BN, YG204D-ORB  
Company Name: TAL INTERNATIONAL CORPORATION  
Company Address: 2919 E. Philadelphia St., Ontario, CA 91761, U.S.A.  
Full Name: James Lai Title: Manager  
Telephone Number: (909) 923-2888 Fax: (909) 923-8337



**WARNING:** To reduce the risk of electrical shock or fire, do not use this fan with any solid-state fan speed control device. It will permanently damage the electronic circuitry.



**WARNING:** To reduce the risk of personal injury, do not bend the blade arms (also referred to as flanges), when installing the brackets, balancing the blades or cleaning the fan.



**WARNING:** Do not insert foreign objects in-between rotating fan blades.



**WARNING:** To reduce the risk of fire, electric shock or personal injury, mount the fan to the outlet box marked acceptable for fan support with the screws provided with the outlet box.



**CAUTION:** To reduce the risk of personal injury, use only the screws provided with the outlet box.

**READ AND SAVE THESE INSTRUCTIONS**

# Warranty

The manufacturer warrants the fan motor to be free from defects in workmanship and material present at time of shipment from the factory for a period of lifetime after the date of purchase by the original purchaser. The manufacturer warrants the light kit (excluding any glass), to be free from defects in workmanship and material at the time of shipment from the factory for a period of three years after the date of purchase by the original purchaser. The manufacturer also warrants that all other fan parts, excluding any glass or acrylic blades, to be free from defects in workmanship and material at the time of shipment from the factory for a period of one year after the date of purchase by the original purchaser. We agree to correct such defects without charge or at our option replace with a comparable or superior model if the product is returned. To obtain warranty service, you must present a copy of the receipt as proof of purchase. All costs of removing and reinstalling the product are your responsibility. Damage to any part such as by accident, misuse, improper installation or by affixing any accessories, is not covered by this warranty. Because of varying climatic conditions this warranty does not cover any changes in brass finish, including rusting, pitting, corroding, tarnishing or peeling. Brass finishes of this type give the longest useful life when protected from varying weather conditions. A certain amount of "wobble" is normal and should not be considered a defect. Servicing performed by unauthorized persons shall render the warranty invalid. There is no other express warranty. We hereby disclaim any and all warranties, including but not limited to those of merchantability and fitness for a particular purpose to the extent permitted by law. The duration of any implied warranty which cannot be disclaimed is limited to the time period as specified in the express warranty. Some states do not allow limitation on how long an implied warranty lasts, so the above limitation may not apply to you. The retailer shall not be liable for incidental, consequential, or special damages arising out of or in connection with product use or performance except as may otherwise be accorded by law. Some states do not allow the exclusion of incidental or consequential damages, so the above exclusion or limitation may not apply to you. This warranty gives specific legal rights, and you may also have other rights which vary from state to state. This warranty supersedes all prior warranties. Shipping costs for any return of product as part of a claim on the warranty must be paid by the customer.

Contact the Customer Service Team at 1-855-HD-HAMPTON or visit [www.hamptonbay.com](http://www.hamptonbay.com).

# Pre-Installation

## SPECIFICATIONS

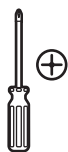
Fan size	Speed	Volts	Amps	Watts	RPM	CFM	N.W.	G.W.	C.F.
44 in.	Low	120	0.21	10.75	80	1428	6.1 kg (13.42 lbs.)	7.7 kg (16.99 lbs.)	1.37 cu. ft.
	Medium		0.33	27.19	132	2245			
	High		0.45	54.43	182	3055			



**NOTE:** These are approximate measures. They do not include amps and wattage used by the light kit.



## TOOLS REQUIRED



Phillips screwdriver



Flat blade screwdriver



Adjustable wrench



Step ladder



Wire stripper



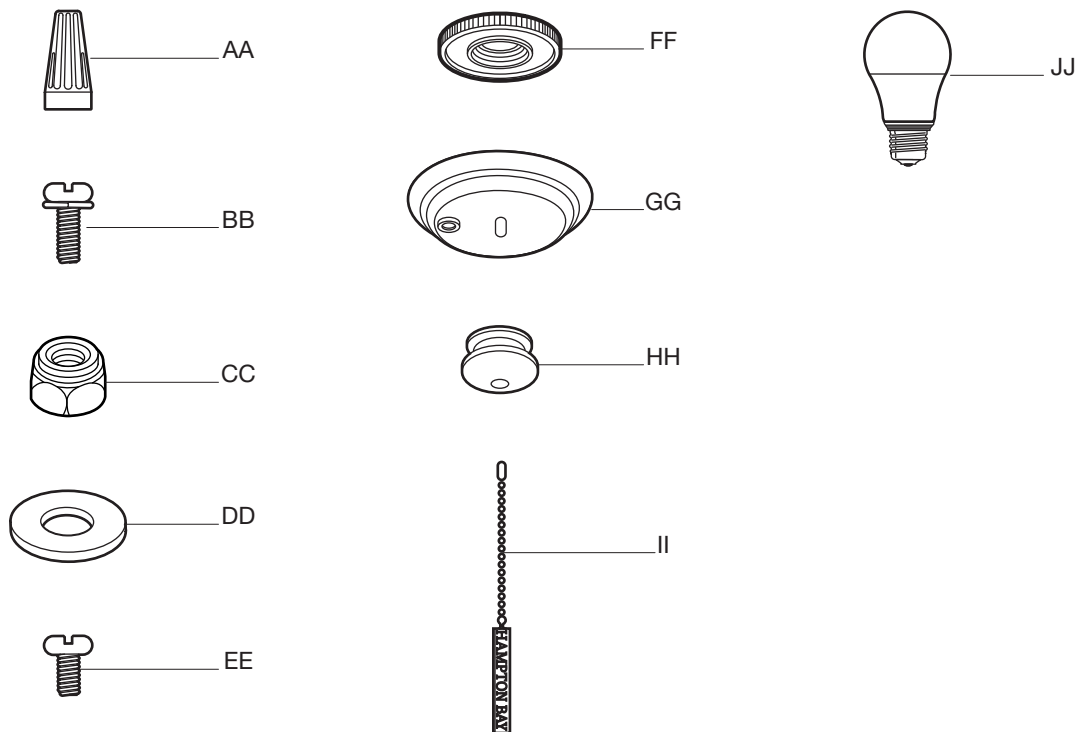
Electrical tape

# Pre-Installation (continued)

## HARDWARE INCLUDED



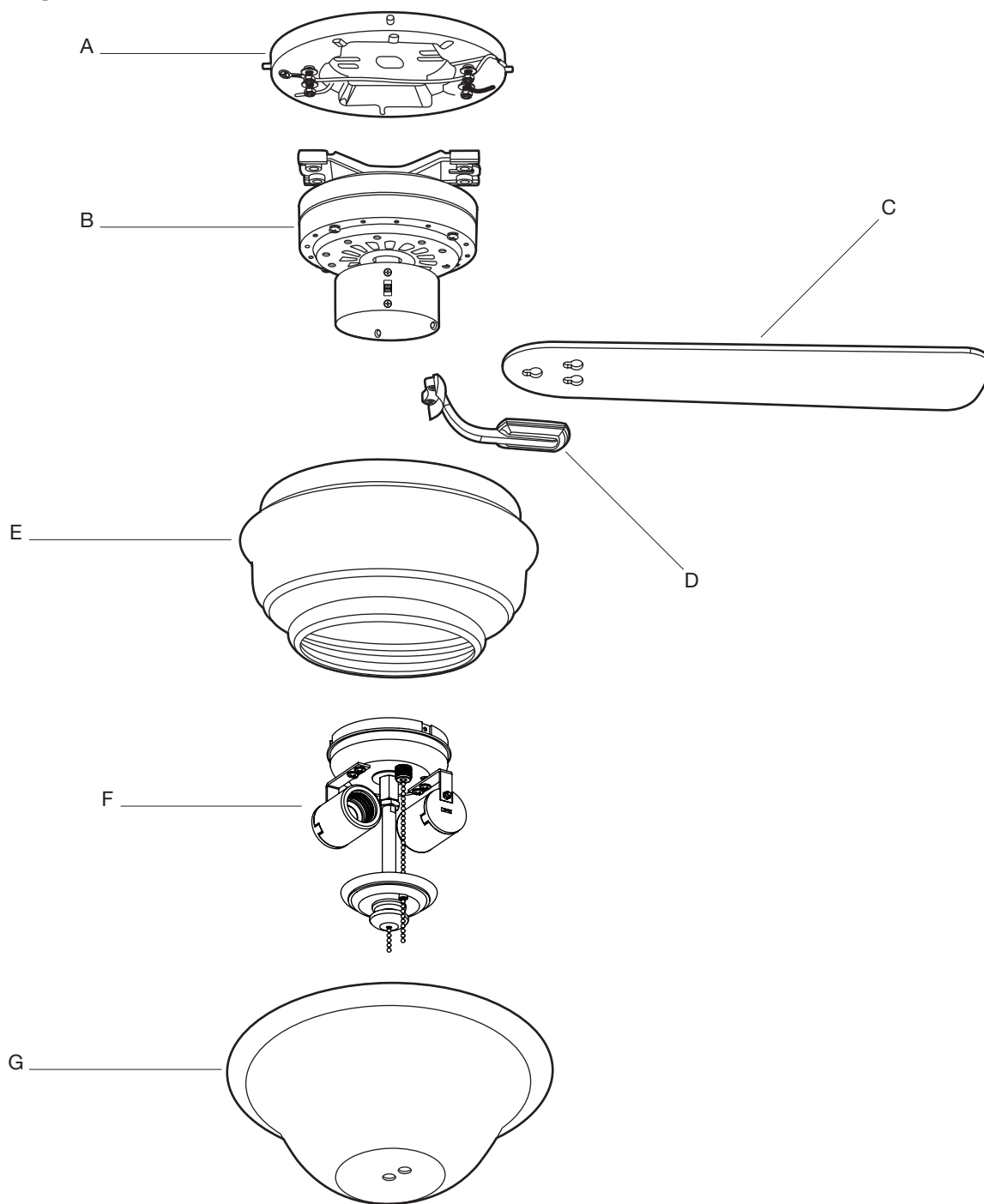
NOTE: Hardware not shown to actual size.



Part	Description	Quantity
AA	Plastic wire nut	3
BB	Blade arm screw with lock washer (preassembled)	10
CC	Nut (preassembled)	4
DD	Washer (preassembled)	4
EE	Light kit mounting screw (preassembled)	3
FF	Metal nut (preassembled)	1
GG	Cap (preassembled)	1
HH	Decorative nut (preassembled)	1
II	Pull chain and fob	2
JJ	9 watt LED bulb	2

# Pre-Installation (continued)

## PACKAGE CONTENTS



Part	Description	Quantity
A	Mounting bracket	1
B	Fan motor assembly	1
C	Blade	5
D	Blade arm	5

Part	Description	Quantity
E	Motor housing	1
F	Light kit	1
G	Plastic shade	1

# Installation

## MOUNTING OPTIONS

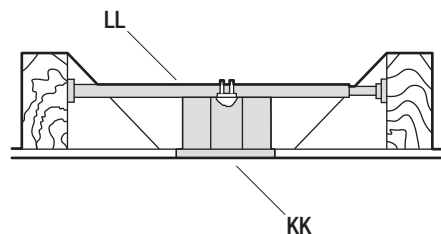
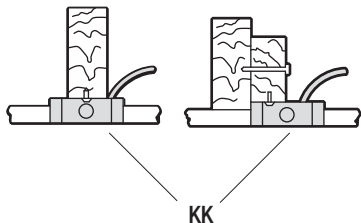
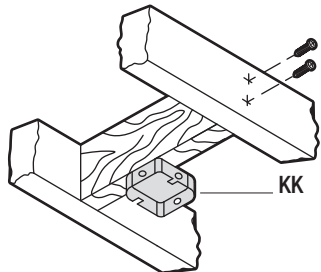


**WARNING:** To reduce the risk of fire, electric shock, or personal injury, mount the fan to an outlet box marked acceptable for fan support using the screws provided with the outlet box. An outlet box commonly used for the support of lighting fixtures may not be acceptable for fan support and may need to be replaced. If in doubt, consult a qualified electrician.

If your ceiling fan does not have an existing UL-listed mounting box, then install one using the following instructions:

- Disconnect the power by removing the fuses or turning off the circuit breakers.
- Secure the outlet box (KK) (not included) directly to the building structure. Use appropriate fasteners and materials (not included). The outlet box and its bracing must be able to fully support the weight of the moving fan (at least 35 lbs.). Do not use a plastic outlet box.

The illustrations below show two different ways to mount the outlet box (KK) (not included).



To hang your fan where there is an existing fixture but no ceiling joist, you may need an installation hanger bar (LL) (not included) as shown above.

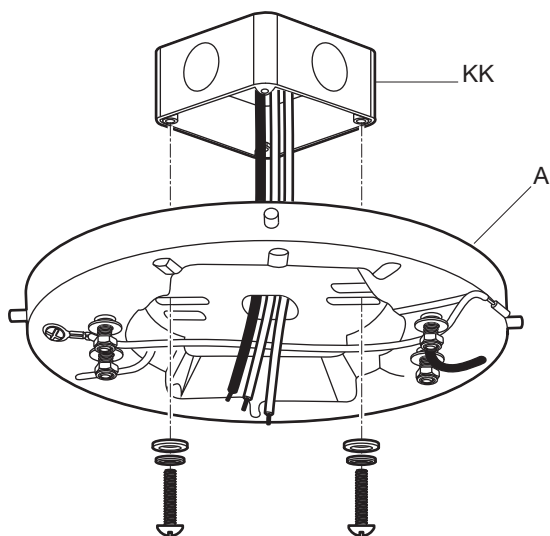
# Assembly – Hanging the Fan

## 1 Installing the mounting bracket to the electrical box



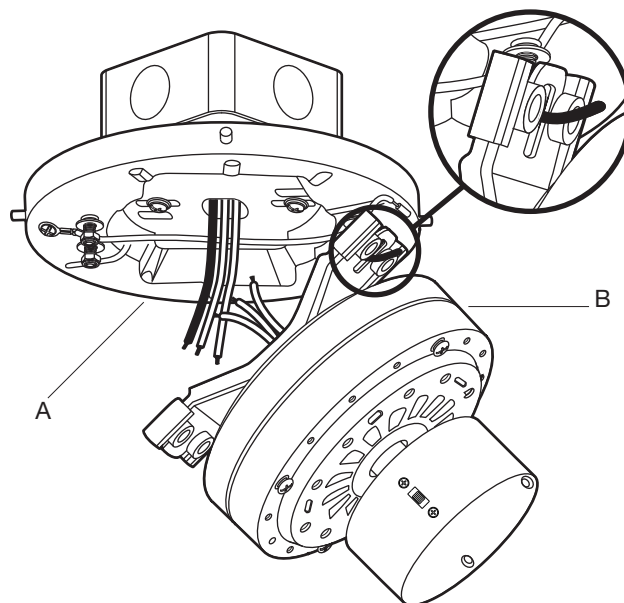
**WARNING:** To reduce the risk of fire, electric shock or other personal injury, mount the fan only to an outlet box or supporting system marked acceptable for fan support and use the mounting screws provided with the outlet box.

- Attach the mounting bracket (A) to the outlet box (KK) (not included) with two screws and washers provided with the outlet box (KK). Ensure the mounting bracket (A) is tight and secured.



## 2 Hanging the fan to the mounting bracket


- Lift the fan into position by hanging the fan motor assembly (B) onto the hook from the mounting bracket (A) allowing it to hang freely.




# Assembly – Hanging the Fan (continued)

## 3a Making the electrical connections

 **WARNING:** To avoid possible electrical shock, be sure electricity is turned off at the main fuse box before wiring.

 **WARNING:** Check to see that all connections are tight, including ground, and that no bare wire is visible at the wire nuts (except for the ground wire).

 **WARNING:** To reduce the risk of fire or electric shock, do not use this fan with any solid-state speed control device.

If you feel you do not have enough electrical wiring knowledge or experience, have your fan installed by a licensed electrician.

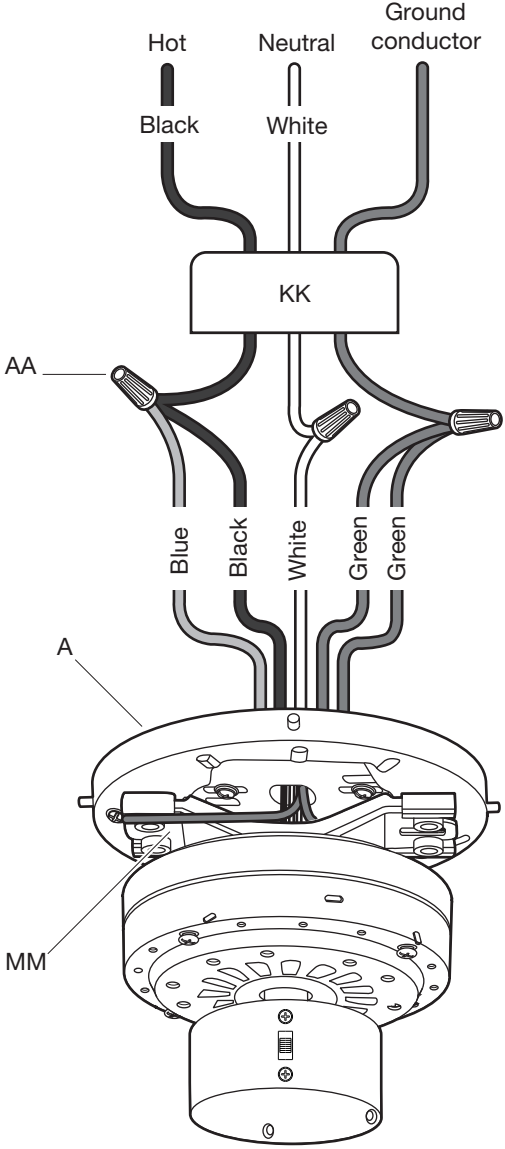
Follow the steps below to connect the fan to your household wiring. Use the plastic wire nuts (AA) with your fan. Secure the plastic wire nuts (AA) with electrical tape. Make sure there are no loose strands or connections.

- Make wire connections as follows, using the wire nuts (AA).

From Fan	To Outlet Box
Black + Blue Wires -----	Black Wire (Hot)
White Wire -----	White Wire (Neutral)
Green Wires* -----	Green or Bare Wire (Ground)

\* There are two green grounding leads: one from the mounting bracket (A) and one from the mounting bar (MM).

- Turn the wire nut connections upward, spreading them apart so the green (ground) and white wires will be on one side of the outlet box (KK) and the black and blue wires will be on the other side. Carefully tuck the connections up into the outlet box (KK).



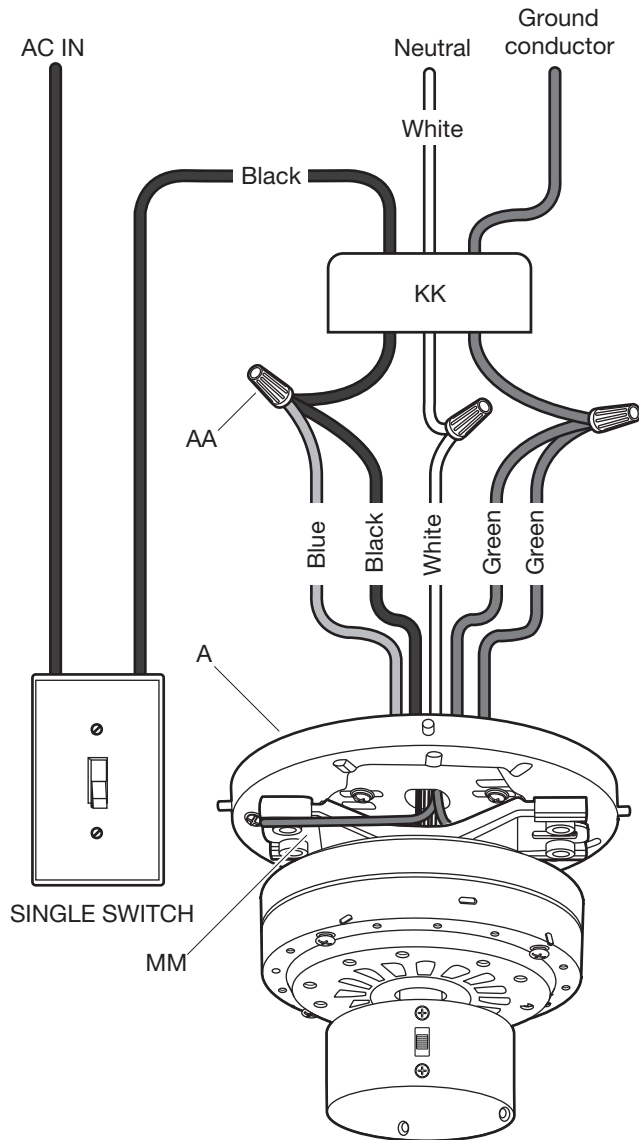


# Assembly – Hanging the Fan (optional)

## 3b Single Switch Connections

- On a single switch the fan and light can be turned on or off together. Make wire connections as follows, using the wire nuts (AA). *Wall switch not included.*

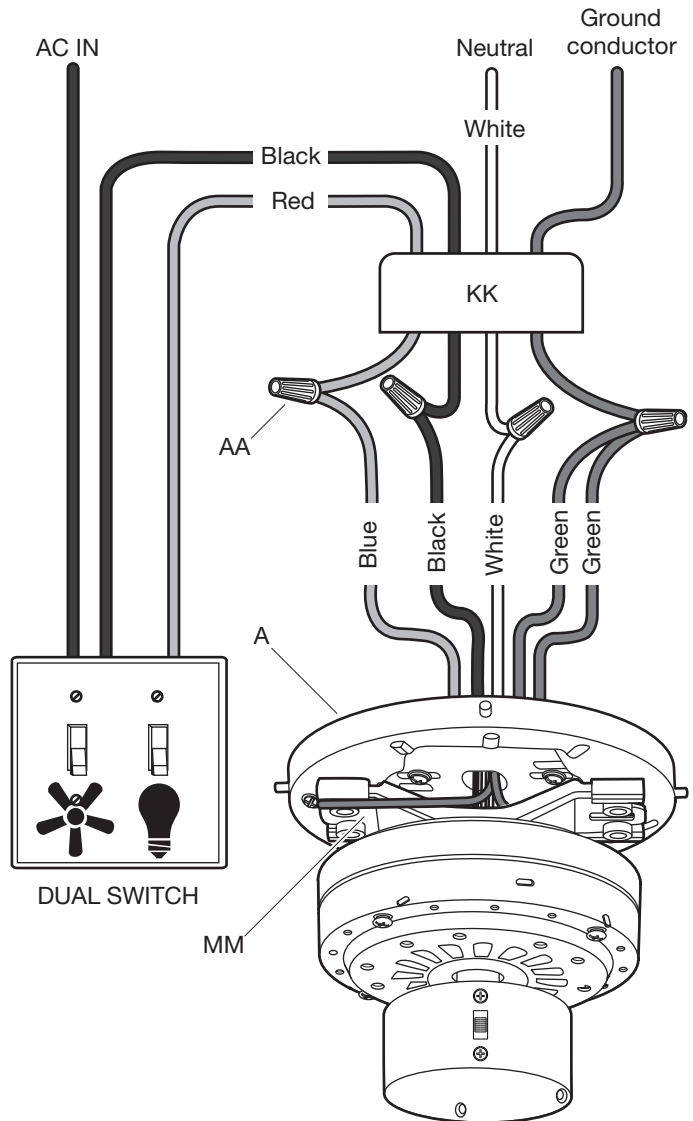
From Fan	To Outlet Box
Black + Blue Wires -----	Black Wire (Hot)
White Wire -----	White Wire (Neutral)
Green Wires -----	Green or Bare Wire (Ground)



## 3c Dual Switch Connections

- On a dual switch the fan and light can be turned on or off separately. Make wire connections as follows, using the wire nuts (AA). *Wall switch not included.*

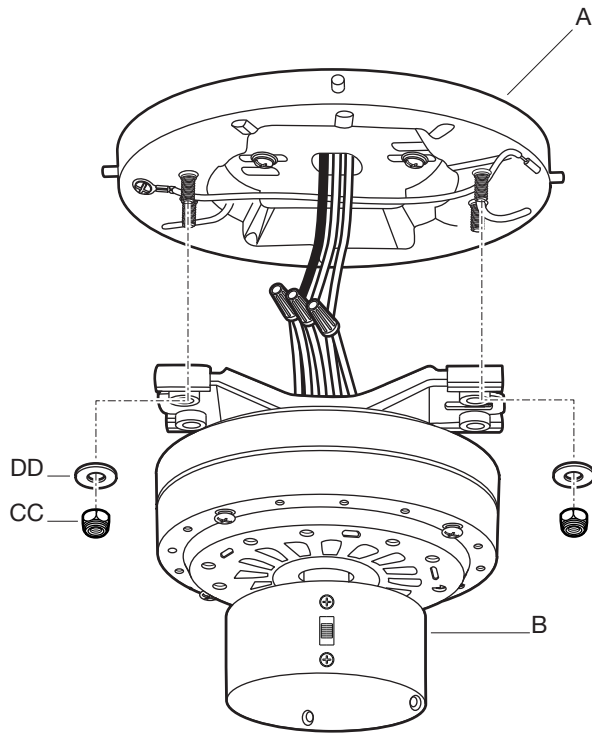
From Fan	To Outlet Box
Black Wire (for Fan) -----	Black Wire (Hot #1)
Blue Wire (for Light) -----	Red Wire (Hot#2 but maybe be in another color other than black, white or green)
White Wire -----	White Wire (Neutral)
Green Wires -----	Green or Bare Wire (Ground)



# Assembly – Hanging the Fan (continued)

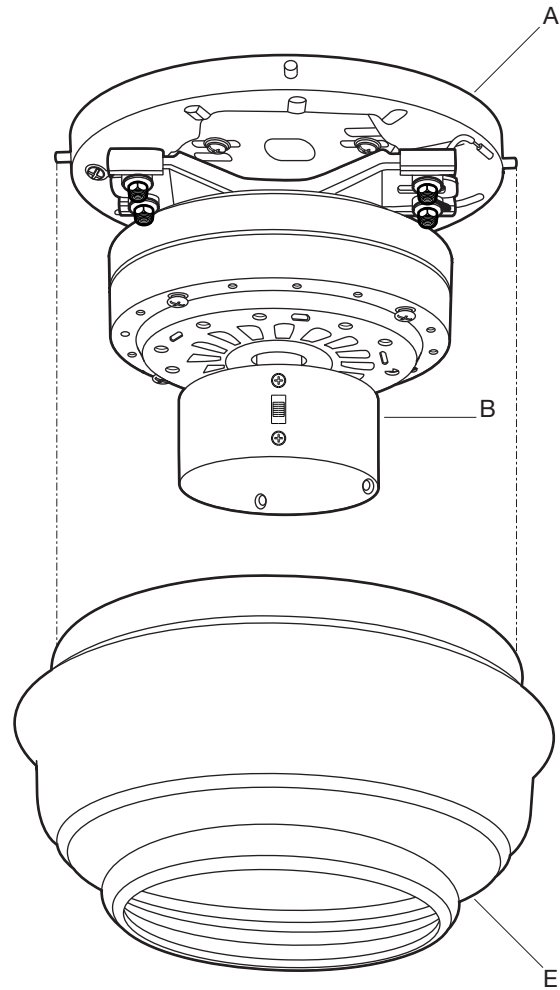
## 4 Finishing the fan installation

- Move the fan motor assembly (B) into position over the four mounting bracket studs and secure with the provided nuts (CC) and washers (DD).



## 5 Attaching the motor housing to the mounting bracket

- Raise the motor housing (E) up against the mounting bracket (A). The four supports inside the motor housing (E) should be placed against the four studs on the mounting bracket (A). Twist the motor housing (E) clockwise until snug.



# Assembly – Attaching the Fan Blades

## 6 Attaching the blades to the blade arms



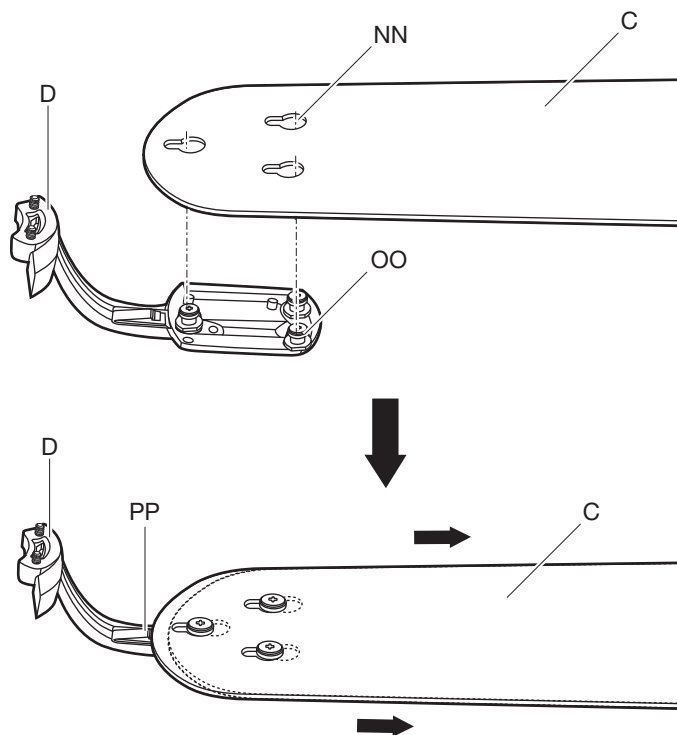
**WARNING:** Failure to properly seat the blades (C) on the blade arms (D) and engage in the spring locking mechanism (OO) could result in the fan blades (C) loosening and possibly falling.

To install the blade to the blade arm:

- Hold the blade (C) with hands close to the blade arm (D), align the key-slot holes (NN) with the blade arm posts (OO) and press the blade down firmly. Ensure the key-slot holes (NN) are properly seated on the blade arm posts (OO).
- Firmly slide the blade (C) away from the blade arm (D) until the blade (C) engages in the spring locking mechanism (PP). Make sure the spring of the spring locking mechanism (PP) is upward and the butt of the spring locking mechanism (PP) is against the edge of the blade.

To detach the blade from the blade arm:

- Press down the spring locking mechanism (PP) to release the blade (C) from the blade arm (D). Slide the blade (C) toward the blade arm (D) until the blade (C) disengages from the spring locking mechanism (PP). Carefully push the blade (C) up to detach from the blade arm (D).

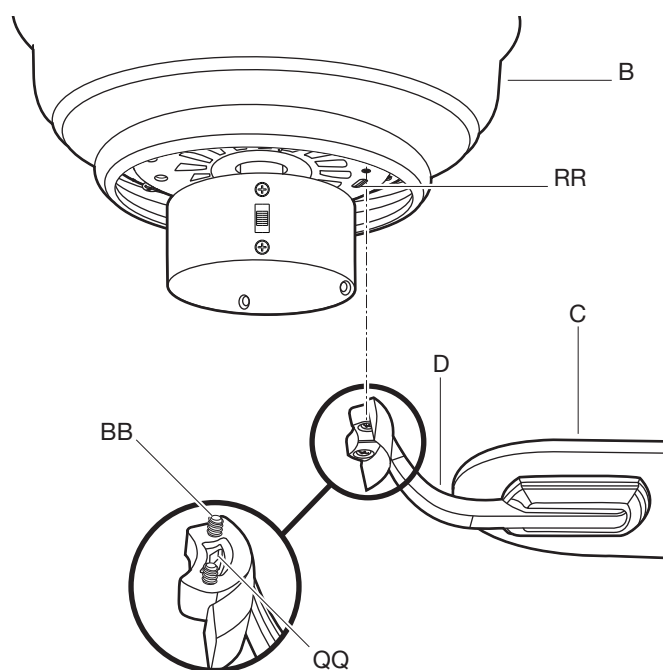


## 7 Fastening the blade assemblies to the motor



**WARNING:** To reduce the risk of personal injury, do not bend the blade arms (D) while installing, balancing the blades (C), or cleaning the fan. Do not insert foreign objects between rotating fan blades (C).

- Fasten the blade assemblies to the fan motor assembly (B) by lining up the slots of the motor (RR) with the tabs on the blade arms (QQ).
- Tighten the two blade arm screws with lock washers (BB) already installed in the blade arms (D).
- Repeat this procedure for the remaining blade arms (D).



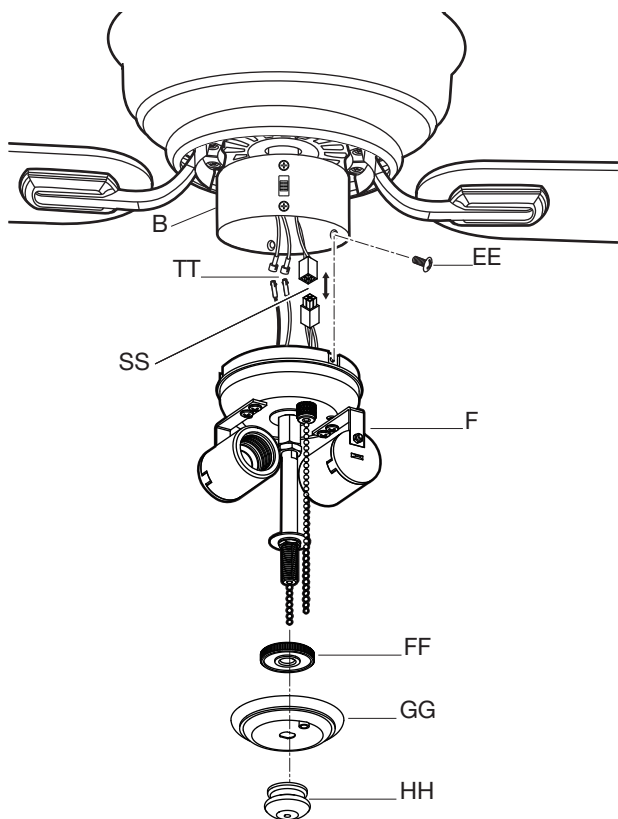
# Assembly – Installing the Light Kit

## 8 Attaching the light kit to the switch housing



**CAUTION:** Before starting installation, disconnect the power by turning off the circuit breaker or removing the fuse at the fuse box. Turning power off using the fan switch is not sufficient to prevent electric shock.

- Remove the three light kit mounting screws (EE) from the light kit (F) and keep these screws.
- While holding the light kit (F) under your fan motor assembly (B), snap together the 4-pin wire connection plugs (SS) and locate two single white and blue wires in the switch housing labeled "FOR LIGHT". Make the polarized plug connections (TT),  
- White to white - Blue to black
- Carefully push all wires back into the switch housing. Install the light kit (F) onto the switch housing with the three light kit mounting screws (EE) provided. Be sure to tighten all screws.
- Remove the decorative nut (HH), cap (GG) and the metal nut (FF) from the light kit (F).

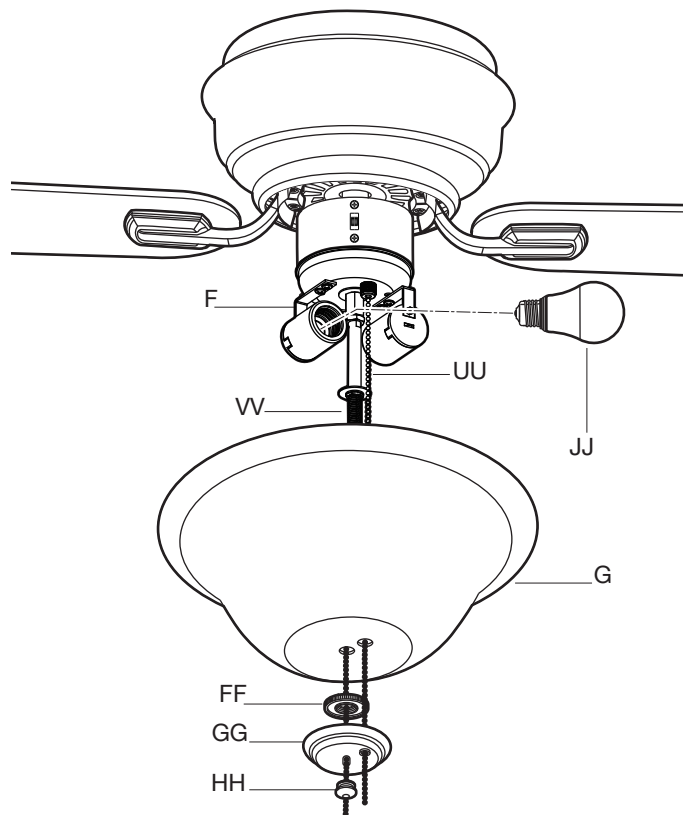


## 9 Installing the light bulbs and the plastic shade



**CAUTION:** Before starting installation, disconnect the power by turning off the circuit breaker or removing the fuse at the fuse box. Turning power off using the fan switch is not sufficient to prevent electric shock.

- Install two 9 watt LED bulbs (JJ) (included).
- While holding the plastic shade (G), slip the pull chain (UU) from the switch housing into the outside hole in the plastic shade (G).
- Feed the pull chain (UU) from the light kit stem (VV) through the eyelet on the plastic shade (G).
- Place the plastic shade (G) over the light kit stem (VV) . Secure the plastic shade (G) with the metal nut (FF) (rubber side on the top).
- Fit the cap (GG) onto the light kit stem (VV) and then slip the pull chain (UU) through the hole on the side of the cap (GG).
- Feed the pull chain (UU) from the light kit stem (VV) through the cap (GG) and the decorative nut (HH), and then thread the decorative nut (HH) on securely. Do not overtighten.



# Operation

## PULL CHAIN OPERATING INSTRUCTIONS

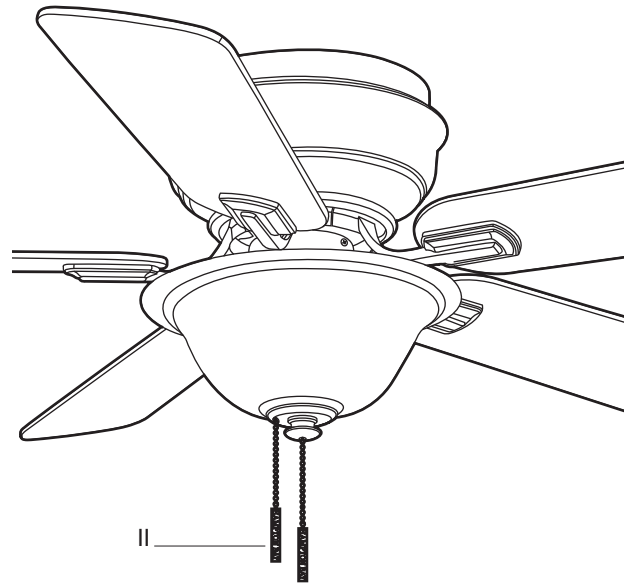
Install two pull chains and fobs (II) onto the pull chains located in the switch housing and light kit. Turn on the power and check the operation of the fan.

The pull chain controls the fan speed as follows:

1 pull - High, 2 pulls - Medium, 3 pulls - Low and 4 pulls - Off.

Speed settings for warm or cool weather depend on factors such as the room size, ceiling height, numbers of fans, and so on.

To turn the light On or Off, pull the chain that is attached to the light kit.

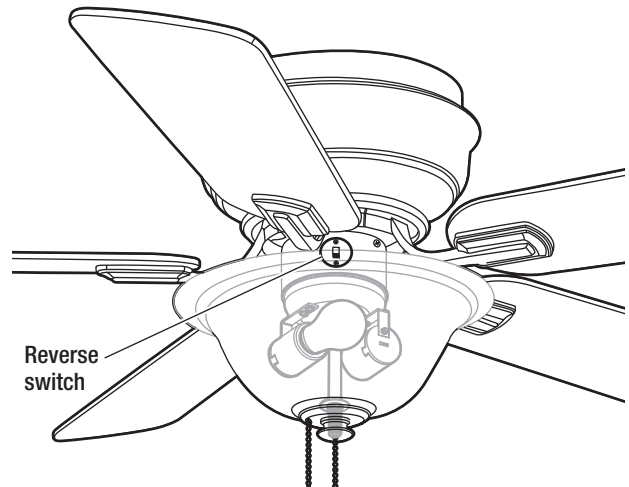


## REVERSE SWITCH OPERATING INSTRUCTIONS

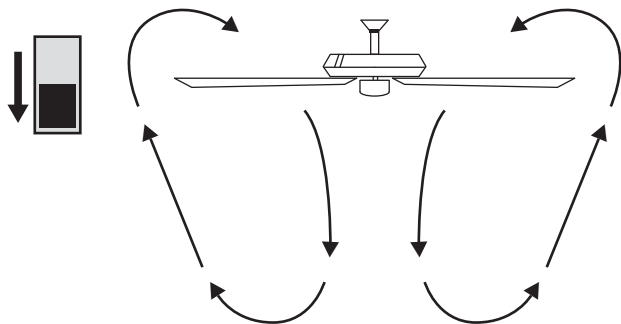
The reverse switch is located on the surface of the switch housing. This switch controls directions: forward (switch down) or reverse (switch up).



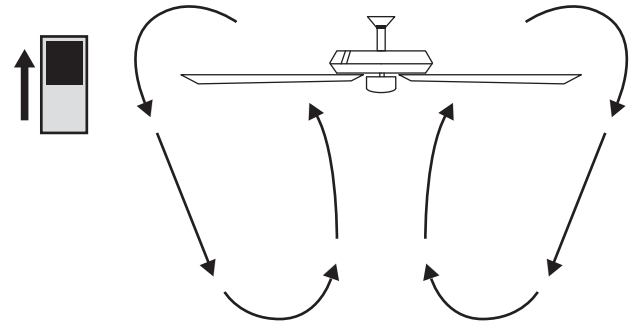
**NOTE:** Wait for the fan to stop before reversing the direction of the blade rotation.



**Warm weather - (Counterclockwise Direction)** A downward air flow creates a cooling effect. This allows you to set your air conditioner on a higher setting without affecting your comfort.



**Cool weather - (Clockwise Direction)** An upward air flow moves warm air off the ceiling. This allows you to set your heating unit on a lower setting without affecting your comfort.



# Care and Cleaning



**WARNING:** Make sure the power is off before cleaning your fan.

## Do

- Check the support connections, brackets, and blade attachments twice a year. Make sure they are secure. Because of the fan's natural movement, some connections may become loose over time. It is not necessary to remove the fan from the ceiling.
- Clean your fan periodically. Use only a soft brush or lint-free cloth to avoid scratching the finish. The plating is sealed with a lacquer to minimize discoloration or tarnishing.
- (Optional) Apply a light coat of furniture polish to the wood blades.
- (Optional) Cover small scratches with a light application of shoe polish.

## Do not

- Use water when cleaning. Water could damage the motor, or the wood, or possibly cause an electrical shock.
- Apply oil to your fan or motor. The motor has permanently-lubricated sealed ball bearings.

# Troubleshooting

Problem	Solution
The fan will not start.	<ul style="list-style-type: none"> <li><input type="checkbox"/> Check the main and branch circuit fuses or breakers.</li> <li><input type="checkbox"/> Check the line wire connections to the fan and switch wire connections in the switch housing.</li> </ul>
The fan sounds noisy.	<ul style="list-style-type: none"> <li><input type="checkbox"/> Make sure all motor housing screws are snug.</li> <li><input type="checkbox"/> Make sure the screws that attach the fan blade to the motor hub are tight.</li> <li><input type="checkbox"/> Make sure the wire nut connections are not rattling against each other or the interior wall of the switch housing.</li> <li><input type="checkbox"/> Allow a 24-hour "breaking-in" period. Most noises associated with a new fan disappear during this time.</li> <li><input type="checkbox"/> If using the ceiling light kit, make sure the glassware are secured tight. Check that the light bulb is also secure.</li> <li><input type="checkbox"/> Make sure there is a short distance from the ceiling to the canopy. It should not touch the ceiling.</li> <li><input type="checkbox"/> Make sure your ceiling box is secure and that rubber isolator pads are used between the mounting bracket and outlet box.</li> </ul>
The fan wobbles.	<ul style="list-style-type: none"> <li><input type="checkbox"/> Verify that all blades and blade bracket screws are secure (most fan wobble problems are caused by loose parts). Once the fan is properly installed, run the ceiling fan for 10 minutes to let the fan self-adjust.</li> </ul> <p>If wobble occurs after running the fan for 10 minutes, verify blade level using the following process:</p> <ul style="list-style-type: none"> <li>- Select a point on the ceiling above the tip of one of the blades, then select any fan blade and measure from the center of the selected blade to the point on the ceiling. Rotate the fan until the next blade is positioned and repeat the measurement using the same point from the ceiling for every blade. Measurement deviations should be within 1/8 in.</li> <li>- If all deviations are less than 1/8 in. and the fan continues to wobble, please call Customer Service (1-855-HD-HAMPTON) to order a complimentary Blade Balancing Kit.</li> <li>- If deviation is greater than 1/8 in. , please call Customer Service (1-855-HD-HAMPTON) to order complimentary replacements of your brackets.</li> </ul>

This device complies with part 15 of the FCC Rules. Operation is subject to the following two conditions: (1) This device may not cause harmful interference, and (2) this device must accept any interference received, including interference that may cause undesired operation.

**WARNING:** Changes or modifications to this unit not expressly approved by the party responsible for compliance could void the user's authority to operate the equipment.

**NOTE:** This equipment has been tested and found to comply with the limits for a Class B digital device, pursuant to Part 15 of the FCC Rules. These limits are designed to provide reasonable protection against harmful interference in a residential installation. This equipment generates, uses and can radiate radio frequency energy and, if not installed and used in accordance with the instructions, may cause harmful interference to radio communications.

However, there is no guarantee that interference will not occur in a particular installation. If this equipment does cause harmful interference to radio or television reception, which can be determined by turning the equipment off and on, the user is encouraged to try to correct the interference by one or more of the following measures:

- Reorient or relocate the receiving antenna.
- Increase the separation between the equipment and receiver.
- Connect the equipment into an outlet on a circuit different from that to which the receiver is connected.
- Consult the dealer or an experienced radio/TV technician for help.

# HAMPTON BAY<sup>®</sup>

Questions, problems, missing parts? Before returning to the store,  
call Hampton Bay Customer Service  
8 a.m. - 7 p.m., EST, Monday-Friday, 9 a.m. - 6 p.m., EST Saturday

**1-855-HD-HAMPTON**

**HAMPTONBAY.COM**

Retain this manual for future use.