

YG614-NI

120 V~ 60 Hz 80 W

**Read and follow all the
instructions before
using this product.**

Model: 129 825



Conner 52 in Ceiling Fan Owner's Manual

**Conner
Ventilador de Techo de 1,32 m
Manual del Propietario**



HOME DECORATORS COLLECTION

Congratulations on your purchase of a Home Decorators Collection ceiling fan. Your new fan will be a beautiful addition to your home, and will keep you comfortable throughout the year.

The Home Decorators Collection Fan Company offers a wide variety of ceiling fans. We offer combinations of wood and brass finishes, solid designer colors, and our unique glass and crystal designs.

A large selection of light fixtures and light kits is also available. Ask your dealer about other accessories that will allow you to further customize your fan.

We're certain that your Home Decorators Collection fan will provide you with many years of comfort, energy savings and satisfaction. To ensure your personal safety and to maximize the performance of your fan, please read this manual thoroughly.

Conner by Home Decorators Collection

VENTILADOR DE TECHO/CEILING FAN

Marca/Brand: Home Decorators Collection

Modelo/Model: 129825

120 V~ 60 Hz 80 W



Consumo de energía por unidad de tiempo en operación (Energy Consumption): 75.63 Wh

Importador/Importer: SERVICIOS HOME DEPOT, S. DE R.L. DE C.V.
Ricardo Margain 605, Santa Engracia, San Pedro Garza García, Nuevo León, C.P.
66267 Tel./Phone: 01 800 004 6633

Lea y siga todas las instrucciones de seguridad y operación antes de usar este aparato/ Read and follow all the instructions of security and operation before using this product

Cont. 1 Ventilador / Fan
Requiere ensamblaje /Assembly required

Hecho en/Made in: China

52” Conner Ceiling Fan by HDC

Thank you for purchasing our ceiling fan. This product has been manufactured with the highest standards of safety and quality.

Date Purchased _____

Store Purchased _____

Model No. _____ 129-825

Serial No. _____

Vendor No. _____ 548810

UPC _____ 792145370833

Table of Contents

Safety Rules	1
Unpacking Your Fan	2
Installing Your Fan	3
Installing the Light Kit.	12
Operating Your Transmitter	13
Care of Your Fan	15
Troubleshooting	15
Specifications	16

Safety Rules - Read and Save These Instructions

1. To reduce the risk of electric shock, insure electricity has been turned off at the circuit breaker or fuse box before beginning.
2. All wiring must be in accordance with the National Electrical Code “ANSI/NFPA 70-1999” and local electrical codes. Electrical installation should be performed by a qualified licensed electrician.
3. A all-pole disconnection that provide full disconnection under overvoltage category III from the supply mains incorporated in the fixed wiring is to be provided during installed.
4. If the supply cord is damaged, it must be replaced by the manufacturer, its service agent or similarly qualified persons in order to avoid a hazard.
5. After installed, need a set of supply leads accommodated in a suitable compartment.
6. **WARNING:** To reduce the risk of electrical shock or fire, do not use this fan with any solid-state fan speed control device. It will permanently damage the electronic circuitry.
7. **CAUTION:** To reduce the risk of personal injury, use only the screws provided with the outlet box.
8. The outlet box and support structure must be securely mounted and capable of reliably supporting a minimum of 35 lbs (15.9 kg) or less. Use only UL-listed outlet boxes marked “**FOR FAN SUPPORT**”.
9. The fan must be mounted with a minimum of 7.55 feet (2.3m) clearance from the trailing edge of the blades to the floor.
10. Avoid placing objects in the path of the blades.
11. To avoid personal injury or damage to the fan and other items, be cautious when working around or cleaning the fan.
12. Do not use water or detergents when cleaning the fan or fan blades. A dry dust cloth or lightly dampened cloth will be suitable for most cleaning.
13. After making electrical connections, spliced conductors should be turned upward and pushed carefully up into outlet box. The wires should be spread apart with the grounded conductor and the equipment-grounding conductor on one side of the outlet box and ungrounded conductor on the other side of the outlet box.
14. All set screws must be checked and retightened where necessary before installation.
15. The appliance is not to be used by persons (including children) with reduced physical, sensory or metal capabilities, or lack of experience and knowledge, unless they have been given supervision or instruction.
16. This device complies with part 15 of the FCC Rules. Operation is subject to the following two conditions: (1) This device may not cause harmful interference, and (2) this device must accept any interference received, including interference that may cause undesired operation.
17. Instructions for the use of the apparatus according with NOM-024-SCFI, are provided with the apparatus.

WARNING

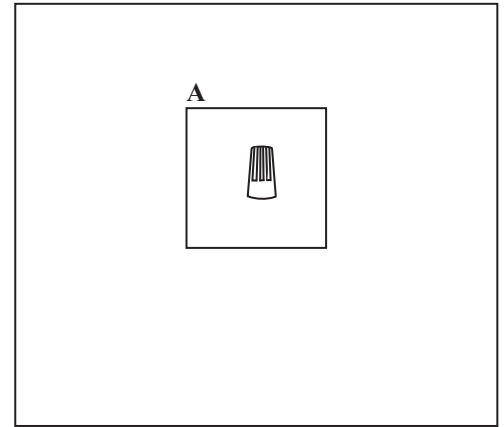
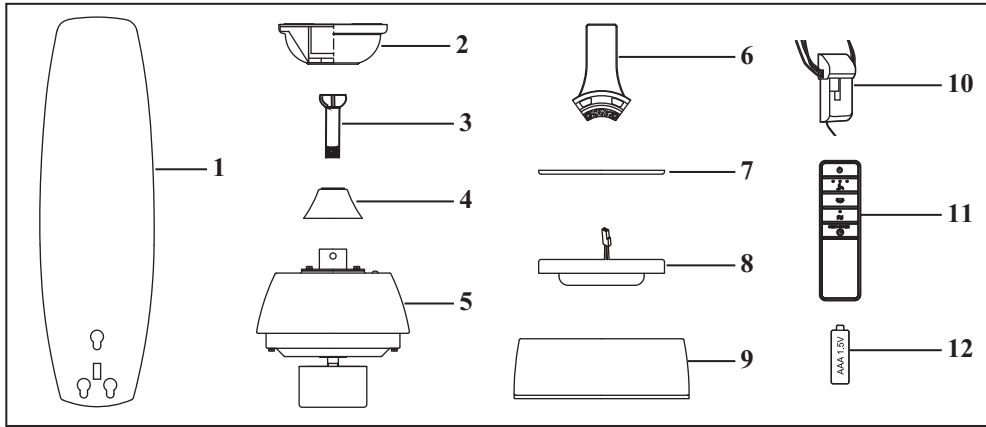
TO REDUCE THE RISK OF PERSONAL INJURY, DO NOT BEND THE BLADE ARMS (ALSO REFERRED TO AS FLANGES), WHEN INSTALLING THE BRACKETS, BALANCING THE BLADES OR CLEANING THE FAN. DO NOT INSERT FOREIGN OBJECTS IN – BETWEEN ROTATING FAN BLADES.

WARNING

TO REDUCE THE RISK OF FIRE, ELECTRIC SHOCK OR PERSONAL INJURY, MOUNT FAN TO OUTLET BOX MARKED ACCEPTABLE FOR FAN SUPPORT WITH THE SCREWS PROVIDED WITH THE OUTLET BOX.

Unpacking Your Fan

Unpack your fan and check the contents. You should have the following items:



1. Set of blades (5)
2. Canopy assembly
3. Ball/downrod assembly
4. Coupling cover
5. Fan motor assembly
6. Blade arms (5)
7. Mounting plate
8. 14 watt LED Light kit
9. Light kit cover
10. Receiver with 6 wire nuts
11. Remote control
12. 1.5V AAA battery (2)

- A. Electrical Hardware
(3 Plastic Wire Nuts)

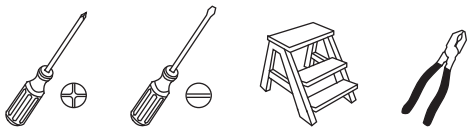
WARNING
DO NOT INSTALL OR USE FAN IF ANY
PART IS DAMAGED OR MISSING.
CALL TOLL FREE 01-800-004-6633.

This fan includes a 14W LED light. The purchaser should return the fan to the original store of purchase during the warranty period in case of the light not working.

Installing Your Fan

Tools Required

Phillips screwdriver, straight slot screwdriver, step ladder and wire cutters.



Mounting Options

If there isn't an existing NOM listed mounting box, then read the following instructions. Disconnect the power by removing fuses or turning off circuit breakers.

Secure the outlet box directly to the building structure. Use appropriate fasteners and building materials. The outlet box and its support must be able to fully support the moving weight of the fan (at least 35 lbs). Do not use plastic outlet boxes.

WARNING

TO REDUCE THE RISK OF FIRE, ELECTRIC SHOCK OR PERSONAL INJURY, MOUNT FAN ONLY TO AN OULET BOX MARKED ACCEPTABLE FOR FAN SUPPORT AND USE THE MOUNTING SCREWS PROVIDED WITH THE OULET BOX. OULET BOX COMMONLY USED FOR THE SUPPORT OF LIGHTING FIXTURE MAY NOT BE ACCEPTABLE FOR FAN SUPPORT AND MAY NEED TO BE REPLACED. CONSULT A QUALIFIED ELECTRICIAN IF IN DOUBT.

Figures 1~3 are examples of different ways to mount the outlet box.

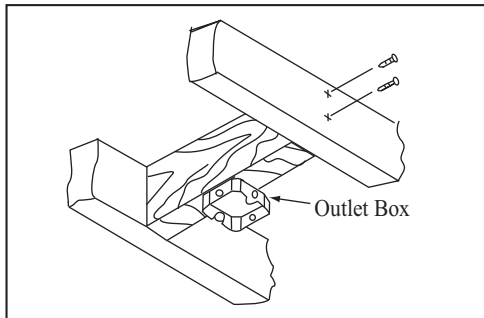


Figure 1

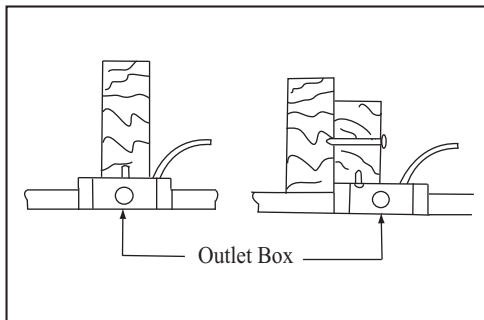


Figure 2

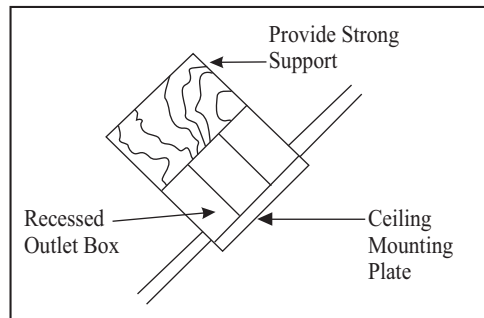


Figure 3

Note: You may need a longer downrod to maintain proper blade clearance when installing on a steep, sloped ceiling. The maximum angle allowable is 18°. If the canopy touches downrod, remove the decorative canopy bottom cover and turn the canopy 180° before attaching the canopy to the mounting plate.

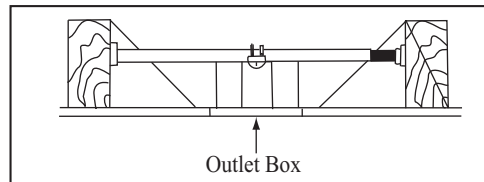


Figure 4

To hang your fan where there is an existing fixture but no ceiling joist, you may need an installation hanger bar as shown in Figure 4 (available at any Home Depot store).

Hanging the Fan

REMEMBER to turn off the power. Follow the steps below to hang your fan properly.

1. Remove the canopy ring from the canopy. (Figure 5)
2. Remove the mounting bracket from the canopy by loosening the four screws on the top of the canopy. Remove the two non-slotted screws and loosen the slotted screws. (Figure 6)
3. Remove the cotter pin, clevis pin and set screws from the top of the motor assembly. (Figure 7)
4. Take out the setscrew located in the hanger ball, lower the hanger ball and remove the cross pin. Remove the hanger ball from the hanger ball/downrod assembly. (Figure 7)
5. Remove the ground lead from the downrod assembly. (Figure 7)

NOTE: If a longer downrod is needed, take out the screw located in the hanger ball, lower the hanger ball and remove the pin, remove all 3 pieces from the downrod and assemble them onto the new longer downrod before proceeding step 4. (The longer downrod is available at any Home Depot store)

6. Carefully feed the motor wires up through the downrod. Thread the downrod into the collar. Align the holes and replace the clevis pin and cotter pin. Tighten the two collar setscrews. (Figure 8)
7. Slip coupling cover, canopy ring, and canopy onto the downrod. Carefully reinstall the hanger ball onto the downrod and reinstall the ground lead onto the downrod, being sure that the cross pin is in the correct position, the setscrew is tightened and wires are not twisted. (Figure 8)

WARNING

FAILURE TO PROPERLY INSTALL COTTER PIN AS NOTED IN STEP 5 COULD RESULT IN FAN LOOSENING AND POSSIBLY FALLING.

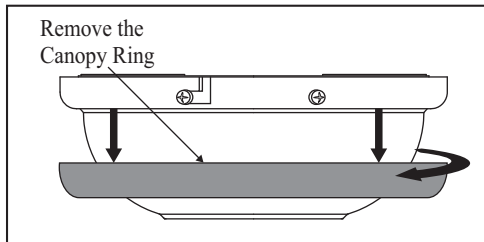


Figure 5

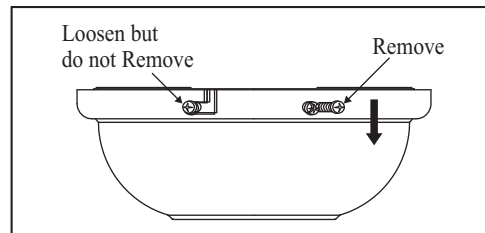


Figure 6

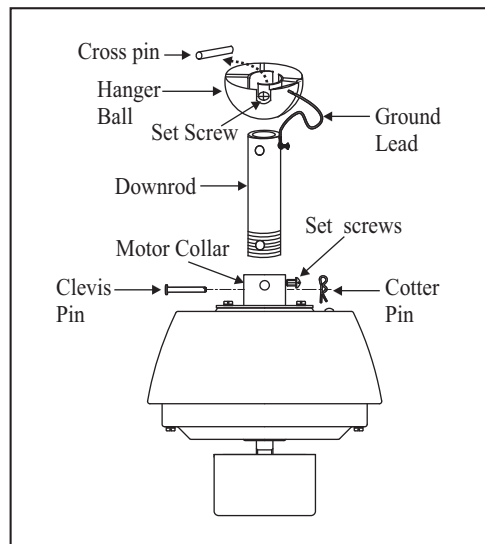


Figure 7

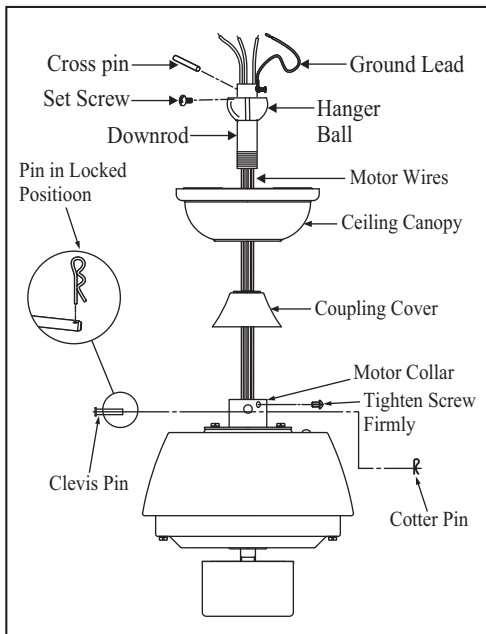


Figure 8

Installing Fan to the Electrical Box

WARNING

TO REDUCE THE RISK OF FIRE, ELECTRIC SHOCK OR OTHER PERSONAL INJURY, MOUNT FAN ONLY TO AN OUTLET BOX OR SUPPORTING SYSTEM MARKED ACCEPTABLE FOR FAN SUPPORT AND USE THE MOUNTING SCREWS PROVIDED WITH THE OUTLET BOX.

1. Pass the 120-volt supply wires through the center hole in the ceiling mounting bracket as shown in Figure 9.
2. Attach the mounting bracket on the outlet box by sliding the mounting bracket over the screws provided with the outlet box. (Figure 9)
3. Security tighten the two mounting screws.
4. Carefully lift the fan assembly up to the ceiling mounting bracket and seat the hanger ball in the mounting bracket socket. Make sure the tab on the mounting bracket socket is properly seated in the groove in the hanger ball (Figure 10). This will help to balance the ceiling fan.

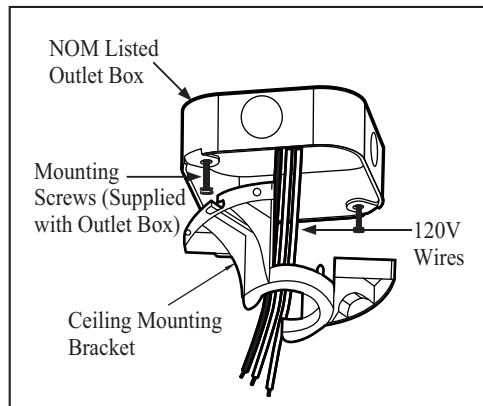


Figure 9

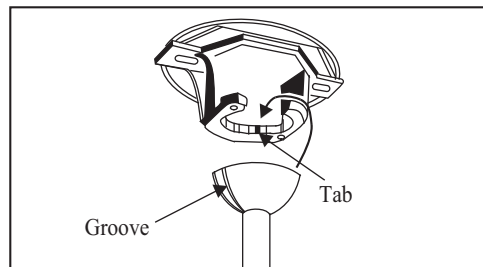


Figure 10

WARNING

THE TAB IN THE RING MUST REST IN THE GROOVE OF THE HANGER BALL AS FIGURE 8. FAILURE TO PROPERLY SEAT THE TAB IN THE GROOVE COULD CAUSE DAMAGE TO WIRING.

Making the Electrical Connections

NOTE

THE FREQUENCIES ON YOUR RECEIVER AND REMOTE CONTROL HAVE BEEN PRESET AT THE FACTORY. BEFORE INSTALLING THE RECEIVER, MAKE SURE THE DIP SWITCHES ON THE RECEIVER AND REMOTE CONTROL ARE SET TO THE SAME FREQUENCY. THE DIP SWITCHES ON THE REMOTE CONTROL ARE LOCATED INSIDE THE BATTERY COMPARTMENT.

NOTE

THE BATTERY WILL WEAKEN WITH AGE AND SHOULD BE REPLACED BEFORE LEAKING TAKES PLACE AS THIS WILL DAMAGE THE REMOTE CONTROL. DISPOSE OF THE USED BATTERY PROPERLY AND KEEP THE BATTERY OUT OF THE REACH OF CHILDREN.

Setting the Code on the Remote: (Figure 11)

1. Remove the battery cover on the back of the remote control by pressing firmly on the arrow and sliding the cover off.
2. Slide the code switches to your choice of either up or down. The factory setting is up.
3. The switch marked O/D controls the dimming function of the lights. If using non-dimmable

bulbs, use a ballpoint pen or small screwdriver to set the switch to O to disable the dimming function. If using dimmable bulbs, set the switch to D to enable the dimming function.

4. Install two AAA 1.5V batteries (included).
5. Replace the battery cover on the remote control.

Setting the Code on the Receiver: (Figure 11)

6. Slide the code switches on the receiver to the same positions as set on the remote control.

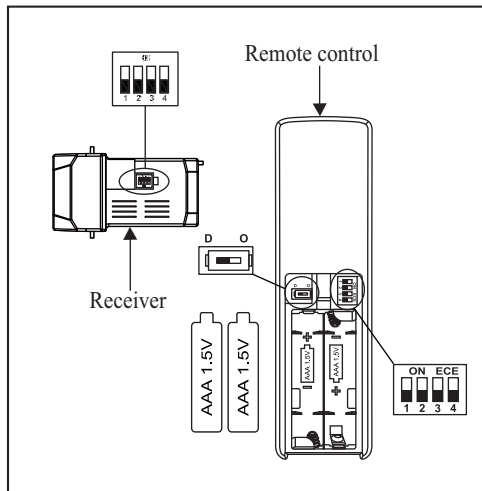


Figure 11

7. After checking the switches, insert the receiver into the mounting bracket with the flat side of the receiver facing the ceiling. (Figure 12)

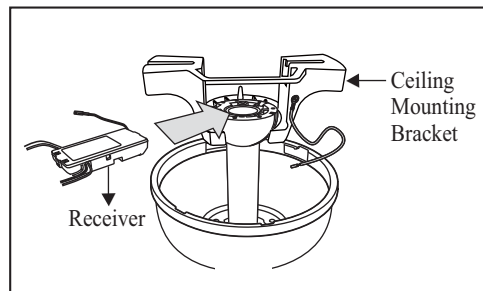


Figure 12

8. (Figure 13) Motor to receiver electrical connections: Connect the black wire from the fan to black wire marked "TO MOTOR L". Connect the white wire from the fan to the white wire marked "TO MOTOR N" from the receiver. Connect the blue wire from the fan to the blue wire marked "For Light" from the receiver. Secure the wire connections with the plastic wire connecting nuts provided.

NOTE

FAN MUST BE INSTALLED AT A MAXIMUM DISTANCE OF 20 FEET FROM THE TRANSMITTING UNIT FOR PROPER SIGNAL TRANSMISSION BETWEEN THE TRANSMITTING UNIT AND THE FAN'S RECEIVING UNIT.

9. (Figure 13) Receiver to house supply wires electrical connections: Connect the black (hot) wire from the ceiling to the black wire marked "AC in L" from the receiver. Connect the white (neutral) wire from the ceiling to the white wire marked "AC in N" from the receiver. Secure the wire connections with the plastic wire connecting nuts provided.

WARNING

CHECK TO SEE THAT ALL CONNECTIONS ARE TIGHT, INCLUDING GROUND, AND THAT NO BARE WIRE IS VISIBLE AT THE WIRE NUTS. EXCEPT FOR THE GROUND WIRE.

10. (Figure 13) If your outlet box has a ground wire (green or bare copper) connect it to the fan ground wires; otherwise connect the hanging bracket ground wire to the mounting bracket. Secure the wire connection with a plastic nut provided. After connecting the wires spread them apart so that the green and white wires are on one side of the outlet box and black and blue wires are on the other side. Carefully tuck the wire connections up into the outlet box.

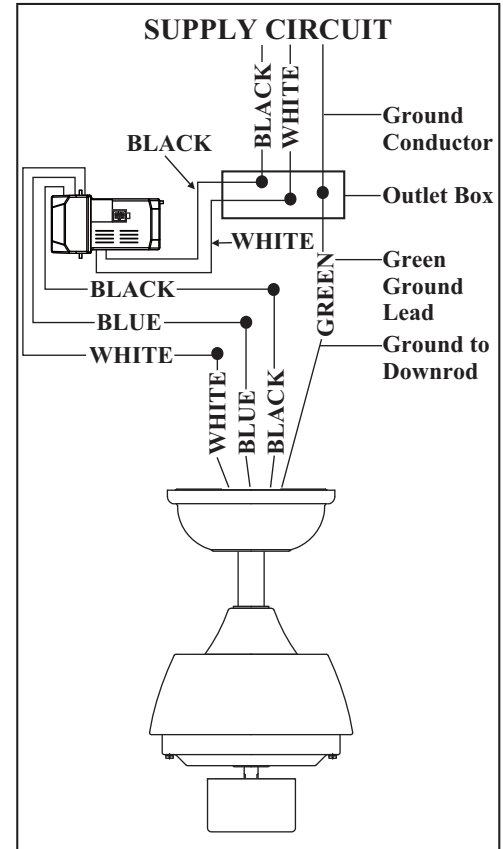


Figure 13

Finishing the Fan Installation

Slide canopy up to the ceiling as shown in Figure 14. Make sure you place the wires safely into the outlet box. Secure the canopy to the mounting bracket with the four screws with your fan. Slide the canopy ring clockwise until the canopy ring are locks in place.

WARNING

MAKE SURE THE TAB ON THE HANGING BRACKET PROPERLY SITS IN THE GROOVE IN THE HANGER BALL BEFORE ATTACHING THE CANOPY TO THE BRACKET BY TURNING THE HOUSING UNTIL IT DROPS INTO PLACE.

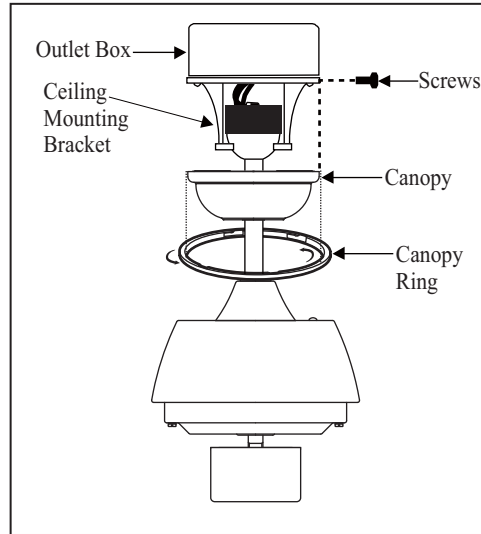


Figure 14

Attaching the Fan Blades

To install the blade to the blade arm:

1. Hold the blade with hands close to the blade arm, align the key-slot holes with the blade arm posts and press the blade down firmly. Ensure the key-slot holes are properly seated on the blade arm posts.
2. Firmly slide the blade away from the blade arm until the blade engages in the spring locking mechanism. Make sure the spring of the spring locking mechanism is upward and the butt of the spring locking mechanism is against the edge of the blade.

To detach the blade from the blade arm:

1. Press down the spring locking mechanism to release the blade from the blade arm. Slide the blade toward the blade arm until the blade disengages from the spring locking mechanism. Carefully push the blade up to detach from the blade arm.

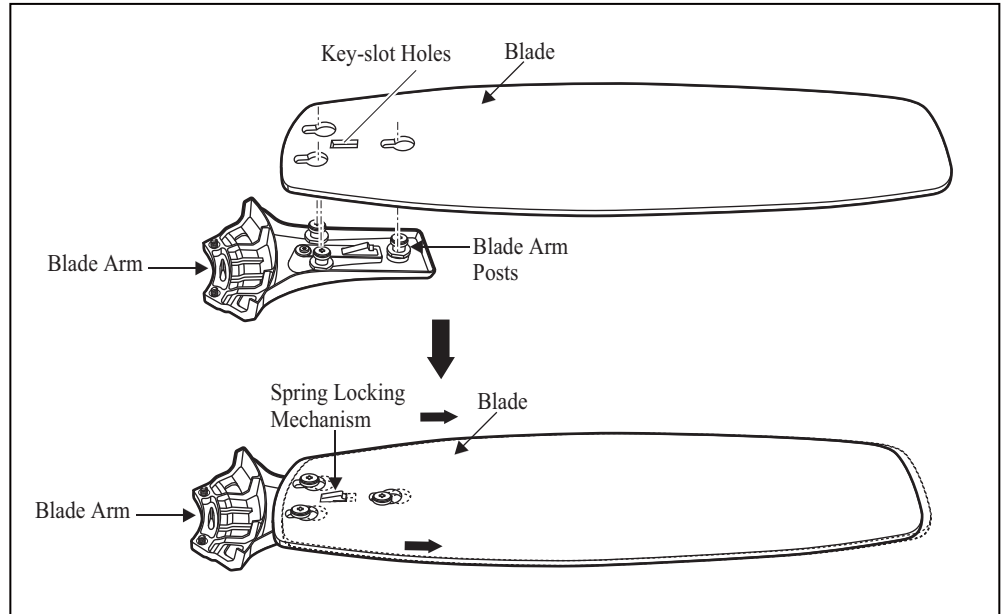


Figure 15

Attaching the Blade Assembly

WARNING

THE FAN MOTOR ASSEMBLY IS SHIPPED WITH MOTOR SUPPORT PLATE TO PREVENT MOVEMENT DURING TRANSPORTATION. REMOVE THE MOTOR SUPPORT PLATE FROM THE FAN MOTOR ASSEMBLY AND DISCARD PRIOR TO ATTACHING THE BLADE ARMS.

WARNING

TO REDUCE THE RISK OF PERSONAL INJURY, DO NOT BEND THE BLADE ARMS WHILE INSTALLING, BALANCING THE BLADES, OR CLEANING THE FAN. DO NOT INSERT FOREIGN OBJECTS BETWEEN ROTATING FAN BLADES.

1. Fasten the blade assemblies to the fan motor assembly by lining up the slots of the motor with the tabs on the blade arms.
2. Tighten the two blade arm screws with lock washers already installed in the blade arms.
3. Repeat this procedure for the remaining blade arms.

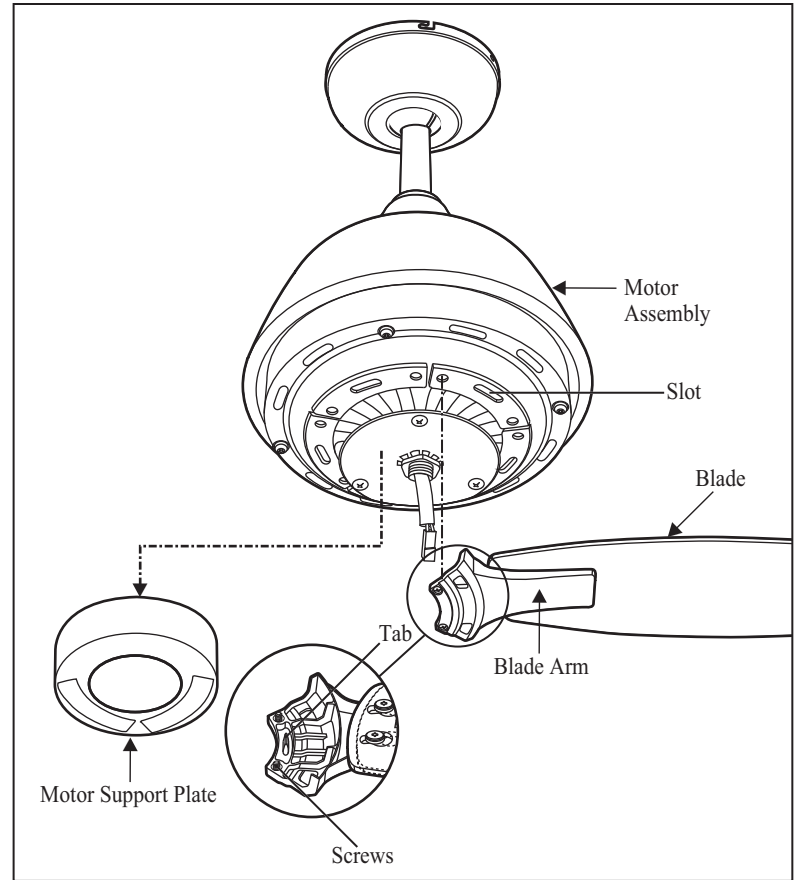


Figure 16

Blade Balancing

All blades are grouped by weight during assembly. The following procedure should correct most fan wobble. Check after each step.

1. Verify that all blades and blade bracket screws are secure (most fan wobble problems are caused by loose parts). Once the fan is properly installed, run the ceiling fan for 10 minutes to let the fan self-adjust.
2. If wobble occurs after running the fan for 10 minutes, verify blade level using the following process:
 - Select a point on the ceiling above the tip of one of the blades, then select any fan blade and measure from the center of the selected blade to the point on the ceiling (as shown in Figure 17). Rotate the fan until the next blade is positioned and repeat the measurement using the same point from the ceiling for every blade. Measurement deviations should be within $1/8''$.
 - If all deviations are less than $1/8''$ and the fan continues to wobble, please call Customer Service (01-800-004-6633) to order a complimentary Blade Balancing Kit.

If deviation is greater than $1/8''$, please call Customer Service (01-800-004-6633) to order complimentary replacements of your brackets.

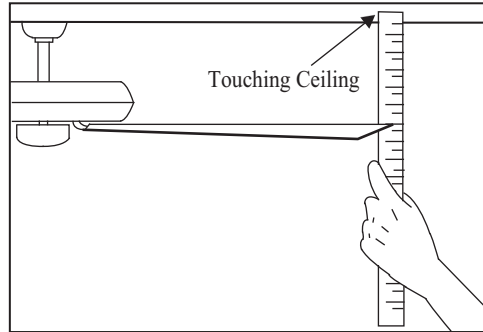


Figure 17

Installing the Mounting Plate

1. Remove 1 of the 3 screws from the mounting ring and loosen the other 2 screws. (Do not remove)
2. Place the key holes on the mounting plate over the 2 screws previously loosened from the mounting ring, turn mounting plate until it locks in place at the narrow section of the key holes. Secure by tightening the 2 screws previously loosened and the one previously removed. (Figure 18)

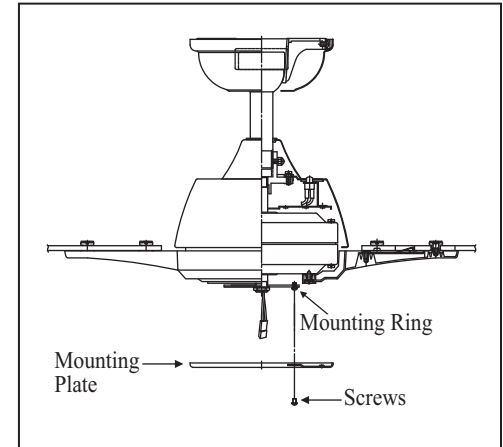


Figure 18

Installing the Light Kit

CAUTION

BEFORE STARTING INSTALLATION, DISCONNECT THE POWER BY TURNING OFF THE CIRCUIT BREAKER OR REMOVING THE FUSE AT FUSE BOX. TURNING POWER OFF USING THE FAN SWITCH IS NOT SUFFICIENT TO PREVENT ELECTRIC SHOCK.

1. Remove the 1 of 3 screws from the posts of the mounting plate and keep it for future use. Loosen the other 2 screws. (Do not remove) (Fig. 19)
2. While holding the 14W LED light kit under your fan, make the 2-pin plug connections:
 - White to white
 - Black to black
3. Place the key holes in the 14W LED light kit over the two screws previously loosened from the mounting plate. Turn the 14W LED light kit until the 14W LED light kit locks in place at the narrow section of the key holes. (Fig. 19)
4. Securely tighten the two light kit mounting screws previously loosened and the one previously removed. (Fig. 19)
5. Raise the light kit cover up against the 14W LED light kit, the three tabs inside the light kit cover should be placed against the three slots on light kit, twist the light kit cover clockwise until snug. Do not overtighten. (Fig. 20)

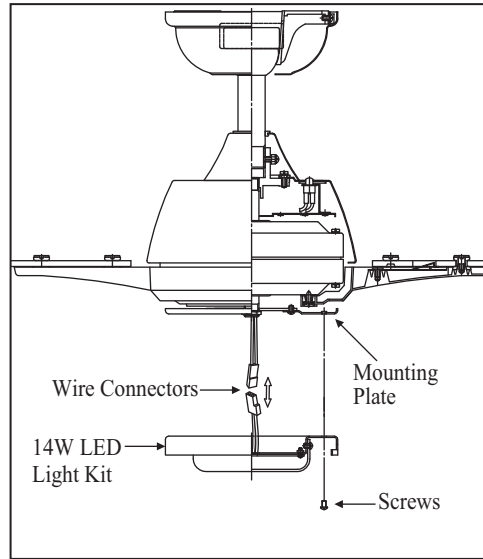


Figure 19

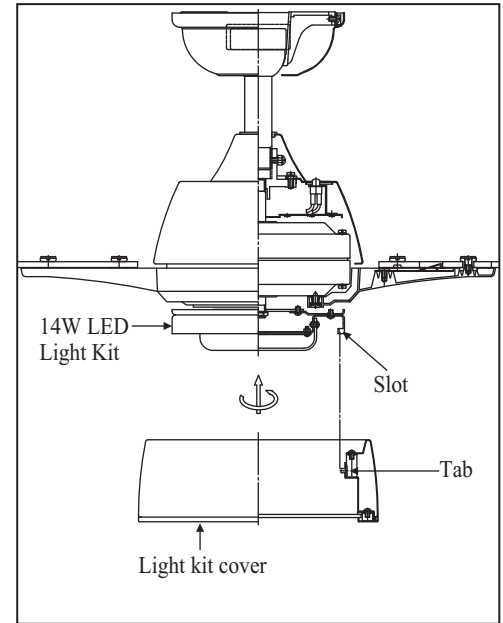












Figure 20

Operating Your Transmitter

1.  - Press and release the  button to turn the fan on or off.
2.  - Press and release 1 time - turns the fan on high speed.
 - Press and release 2 times - turns the fan on medium speed.
 - Press and release 3 times - turns the fan on low speed.
 - Press and release 4 times - turns the fan off.
3.  - Press and release the  button to turn the light on or off. If you are using dimmable bulbs and you have previously set O/D dip switch in your remote to the “D” position, press and hold the  button to activate the dimmer function.
4.  - Press and hold this button for 3 seconds to enable Comfort Breeze™; this will change your fan speed randomly, simulating a relaxing breeze. To cancel this feature press  or .
5.  - While the fan is on press 1 time - turns on a 2 hour run timer.
 - While the fan is on press 2 times - turns on a 4 hour run timer.
 - While the fan is on press 3 times - turns on an 8 hour run timer.

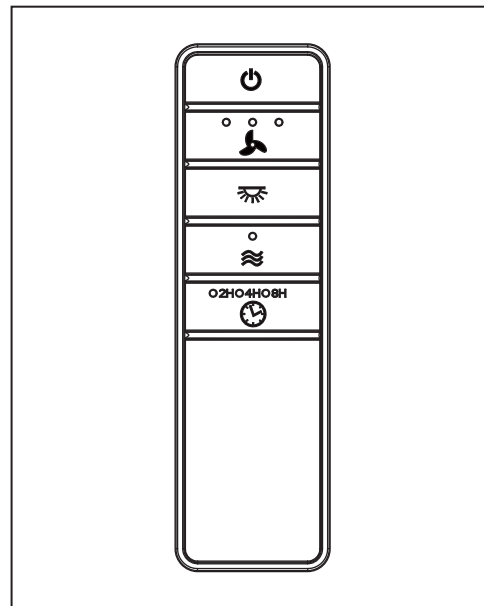


Figure 21

Speed settings for warm or cool weather depend on factors such as the room size, ceiling height, number of fans, etc.

The reverse switch is located on the top of motor housing. Slide the switch to the left for warm weather operation. Slide the switch to the right for cool weather operation.

NOTE

WAIT FOR FAN TO STOP BEFORE CHANGING THE SETTING OF THE SLIDE SWITCH.

Warm weather - (Counter-Clockwise direction)
A downward air flow creates a cooling effect.(Fig. 22) This allows you to set your air conditioner on a higher setting without affecting your comfort.

Cool weather - (Clockwise direction) An upward airflow moves warm air off the ceiling area. (Fig. 23) This allows you to set your heating unit on a lower setting without affecting your comfort.

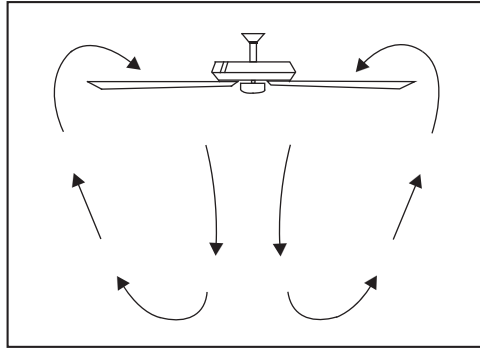


Figure 22

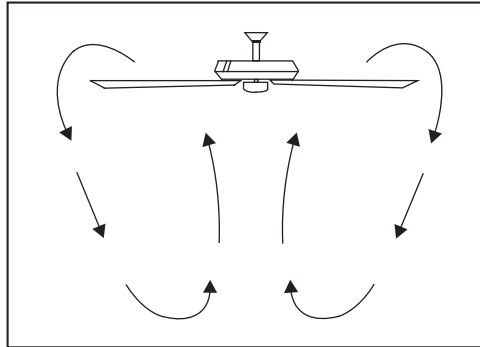


Figure 23

Care of Your Fan Troubleshooting

Here are some suggestions to help you maintain your fan.

1. Because of the fan's natural movement, some connections may become loose. Check the support connections, brackets, and blade attachments twice a year. Make sure they are secure. (It is not necessary to remove fan from ceiling.)
2. Clean your fan periodically to help maintain its new appearance over the years. Use only a soft brush or lint-free cloth to avoid scratching the finish. The plating is sealed with a lacquer to minimize discoloration or tarnishing. Do not use water when cleaning. This could damage the motor, or the wood, or possibly cause an electrical shock.
3. You can apply a light coat of furniture polish to the wood blades for additional protection and enhanced beauty. Cover small scratches with a light application of shoe polish.
4. There is no need to oil your fan. The motor has permanently lubricated sealed ball bearings.

PROBLEM

SOLUTION

The fan will not start.

1. Check main and branch circuit fuses or breakers.
2. Check line wire connections to the fan and switch wire connections in the switch housing.
3. Check to make sure the dip switches from the transmitter and receiver are set to the same frequency.

The fan sounds noisy.

1. Make sure all motor housing screws are snug.
2. Make sure the screws that attach the fan blade bracket to the motor hub are tight.
3. Make sure wire nut connections are not rattling against each other or the interior wall of the switch housing.
4. Allow a 24-hour "breaking-in" period. Most noises associated with a new fan disappear during this time.
5. If using ceiling fan light kit, check that the light bulb is secure.
6. Make sure there is a short distance from the ceiling to the canopy. It should not touch the ceiling.
7. Make sure your ceiling box is secure and rubber isolator pads are used between the mounting bracket and outlet box.

Remote control.

1. Do not connect the fan with a wall mounted variable speed control(s).
2. Make sure the dip switches are set correctly.

WARNING

MAKE SURE THE POWER IS OFF AT THE ELECTRICAL PANEL BOX BEFORE YOU ATTEMPT ANY REPAIRS. REFER TO THE SECTION, "MAKING ELECTRICAL CONNECTIONS".

Specifications

FAN SIZE	SPEED	VOLTS	AMPS	WATTS	RPM	CMM	N.W.	G.W.	C.F.
52"	LOW	120	0.22	11.14	56	48.94	8.62 kg (18.97 lbs)	10.01 kg (22.02 lbs)	1.75'
	MED.		0.38	32.96	107	92.62			
	HIGH		0.51	61.81	157	134.13			

These are approximate measures. They do not include Amps and Wattage used by the light kit.

Importer: **SERVICIOS HOME DEPOT, S. DE R.L. DE C.V.**
 Ricardo Margain 605, Santa Engracia, San Pedro Garza García,
 Nuevo León, C.P. 66267. Tel. 01 800 004 6633

Warranty printed on manual is not valid for Mexico

Questions, problems, missing parts?
 Before returning to the store call our customer service
01 800 004 6633

The appliance is not to be used by persons (including children) with reduced physical, sensory or mental capabilities, or lack of experience and knowledge, unless they have been given supervision or instruction.
 Children should be supervised to ensure that they do not play with the appliance.