

# *Hampton Bay Lifetime Limited Warranty*

The retailer warrants the fan motor to be free from defects in workmanship and material present at time of shipment from the factory for a lifetime after the date of purchase by the original purchaser. The retailer also warrants that all other fan parts, excluding any glass or plexiglass blades, to be free from defects in workmanship and material at the time of shipment from the factory for a period of one year after the date of purchase by the original purchaser. We agree to correct such defects without charge or at our option replace with a comparable or superior model if the product is returned to the retailer. To obtain warranty service, you must present a copy of the receipt as proof of purchase. All costs of removing and reinstalling the product are your responsibility. Damage to any part such as by accident or misuse or improper installation or by affixing any accessories, is not covered by this warranty. Because of varying climatic conditions in the United States this warranty does not cover any changes in brass finish, including rusting, pitting, corroding, tarnishing or peeling. Brass finishes of this type give their longest useful life when protected from varying weather conditions. A certain amount of wobble is normal and should not be considered a defect. Servicing performed by unauthorized persons shall render the warranty invalid. **There is no other express warranty. The retailer hereby disclaims any and all warranties, including but not limited to. Those of merchantability and fitness for a particular purpose to the extent permitted by law.** The duration of any implied warranty which cannot be disclaimed is limited to the time period as specified in the express warranty. Some states do not allow limitation on how long an implied warranty lasts, so the above limitation may not apply to you. **The retailer shall not be liable for incidental, consequential, or special damages arising out of or in connection with product use or performance except as may otherwise be accorded by law.** Some states do not allow the exclusion of incidental or consequential damages, so the above exclusion or limitation may not apply to you. This warranty gives specific legal rights, and you may also have other rights which vary from state to state. This warranty supersedes all prior warranties.

Date Purchased \_\_\_\_\_

Store Purchased \_\_\_\_\_

Model No. \_\_\_\_\_ 159-469

Serial No. \_\_\_\_\_

Vendor No. \_\_\_\_\_ 12746

UPC \_\_\_\_\_ 046335897274

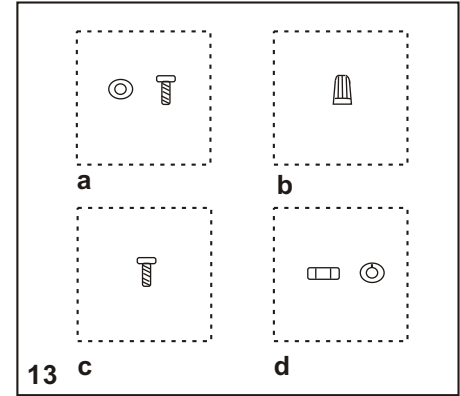
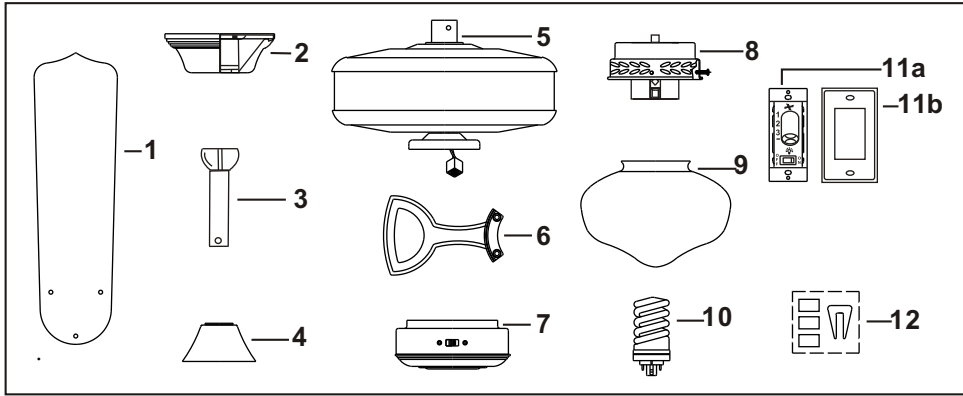
## *Lifetime Limited Warranty*

|                                  |     |
|----------------------------------|-----|
| Safety Rules.....                | 1.  |
| Unpacking Your Fan .....         | 2.  |
| Installing Your Fan .....        | 3.  |
| Installing the Light Kit.....    | 9.  |
| Operating Your Transmitter ..... | 11. |
| Care of Your Fan .....           | 12. |
| Troubleshooting .....            | 13. |
| Specifications .....             | 14. |

## *Table of Contents*

1. To reduce the risk of electric shock, insure electricity has been turned off at the circuit breaker or fuse box before beginning.
  2. All wiring must be in accordance with the National Electrical Code and local electrical codes. Electrical installation should be performed by a qualified licensed electrician.
  3. **WARNING:** To reduce the risk of electrical shock and fire, do not use this fan with any solid-state fan speed control device.
  4. **WARNING:** To reduce the risk of personal injury, use only the two steel screws (and lock washers) provided with the outlet box for mounting to the outlet box. Most outlet boxes commonly used for the support of lighting fixtures are not acceptable for fan support and may need to be replaced, consult a qualified electrician if in doubt.
- WARNING**  
TO REDUCE THE RISK OF FIRE, ELECTRIC SHOCK OR PERSONAL INJURY, MOUNT FAN TO OUTLET BOX MARKED ACCEPTABLE FOR FAN SUPPORT.
5. The outlet box and support structure must be securely mounted and capable of reliably supporting a minimum of 50 pounds. Use only UL Listed outlet boxes marked **FOR FAN SUPPORT**.
  6. The fan must be mounted with a minimum of 7 feet clearance from the trailing edge of the blades to the floor.
  7. Do not operate the reverse switch while the fan blades are in motion. The fan must be turned off and the blades stopped before reversing the blades direction.
8. Avoid placing objects in the path of the blades.
  9. To avoid personal injury or damage to the fan and other items, be cautious when working around or cleaning the fan.
  10. Do not use water or detergents when cleaning the fan or fan blades. A dry dust cloth or lightly dampened cloth will be suitable for most cleaning.
  11. After making electrical connections, spliced conductors should be turned upward and pushed carefully up into the outlet box. The wires should be spread apart with the grounded conductor and the equipment-grounding conductor on one side of the outlet box.
  12. Electrical diagrams are for reference only. Light kits that are not packed with the fan must be UL Listed and marked suitable for use with the model fan you are installing. Switches must be UL General Use Switches. Refer to the Instructions packaged with the light kits and switches for proper assembly.
- WARNING**  
TO REDUCE THE RISK OF PERSONAL INJURY, DO NOT BEND THE BLADE ARMS (ALSO REFERRED TO AS BRACKETS) DURING ASSEMBLY OR AFTER INSTALLATION. DO NOT INSERT OBJECTS IN THE PATH OF THE BLADES.
- NOTE**  
READ AND SAVE ALL INSTRUCTIONS!

# *1. Safety Rules*



Unpack your fan and check the contents. You should have the following items;

- |                          |   |   |   |
|--------------------------|---|---|---|
| 1. Fan blades (5)        | 8. Light kit  | 13. Loose parts bag containing:                 |   |
| 2. Canopy assembly       | 9. Glass shades   |   | a. Blade attachment hardware<br>(16 screws, 16 fiber washers) |
| 3. Ball/downrod assembly | 10. Fluorescent lamp  |   | b. Mounting hardware<br>(3 plastic wire connectors)           |
| 4. Coupling cover        | 11a. 3-speed wall control with 2 mounting screws<br>and 4 wire nuts |   | c. Light kit hardware<br>(1 screw)                            |
| 5. Fan motor assembly    | 11b. Mounting plate with 2 mounting screws                          | d. Light kit hardware<br>(1 nut, 1 lock washer) |   |
| 6. Blade arms (5)        | 12. Balancing kit   |   |   |
| 7. Switch housing        |   |   |   |

**WARNING**  
DO NOT INSTALL OR USE FAN  
IF ANY PART IS DAMAGED OR MISSING.  
CALL TOLLFREE 1-877-902-5588

## *Unpacking Your Fan 2.*

## Tools Required

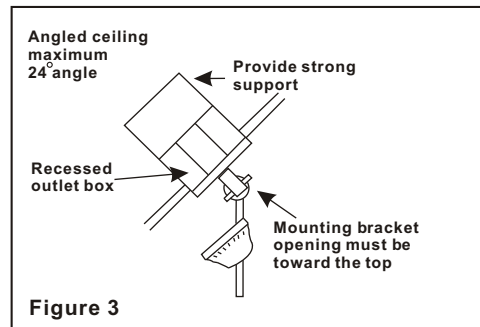
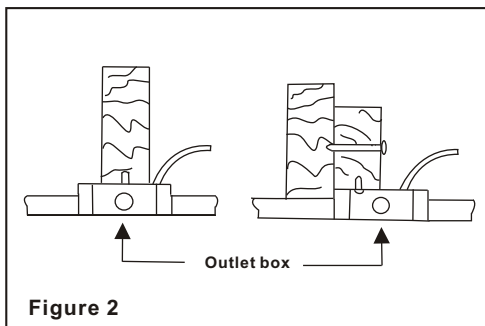
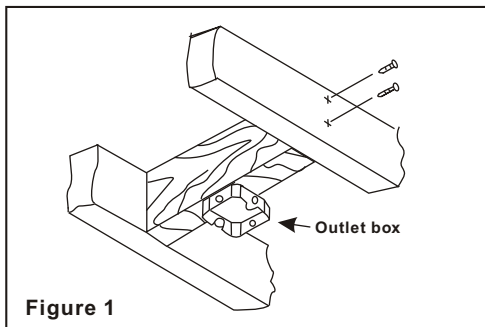
Phillips screwdriver, straight slot screwdriver, adjustable wrench, step ladder, and wire cutters.

## Mounting Options

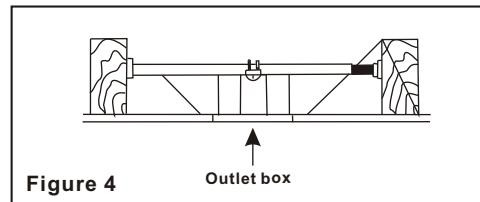
If there isn't an existing UL listed mounting box, then read the following instructions. Disconnect the power by removing fuses or turning off circuit breakers.

Secure the outlet box directly to the building structure. Use appropriate fasteners and building materials. The outlet box and its support must be able to fully support the moving weight of the fan (at least 50 lbs). Do not use plastic outlet boxes.

Figures 1,2 and 3 are examples of different ways to mount the outlet box.



**Note:** You may need a longer downrod to maintain proper blade clearance when installing on a steep, sloped ceiling.



To hang your fan where there is an existing fixture but no ceiling joist, you may need an installation hanger bar as shown in Figure 4 (available at your Hampton Bay Retailer).

## 3. Installing Your Fan

# Hanging the Fan

**REMEMBER** to turn off the power. Follow the steps below to hang your fan properly:

## CAUTION

REMOVE 5 RUBBER PACKING MOUNTS AND DISCARD BEFORE INSTALLATION.

**Step 1.** Remove the decorative canopy bottom cover from the canopy by turning the cover counter clockwise.(Fig.5)

**Step 2.** Remove the hanger bracket from the canopy by loosening the two screws on the bottom of the hanging bracket a half turn from the screw head and turning the canopy counter clockwise.(Fig.5)

**Step 3.** Pass the 120-volt supply wires through the center hole in the ceiling hanger bracket as shown in Fig. 6.

**Step 4.** Secure the hanger bracket to the ceiling outlet box with the screws and washers provided with your outlet box.

**Step 5.** Remove the hanger pin, lock pin and set screws from the top of the motor assembly.

**Step 6.** Route wires exiting from the top of the fan motor through the collar cover, canopy cover, canopy and then through the ball / downrod.(Fig. 7)

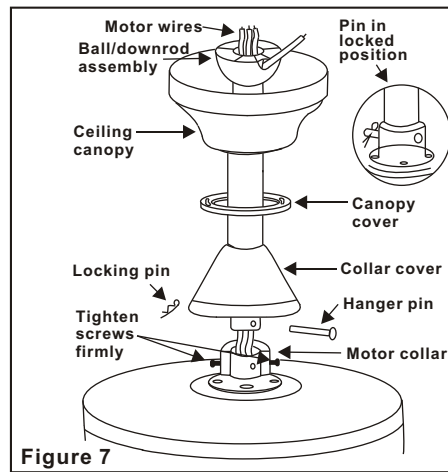
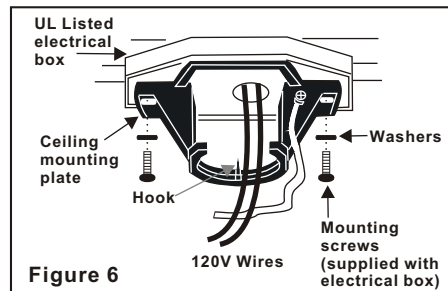
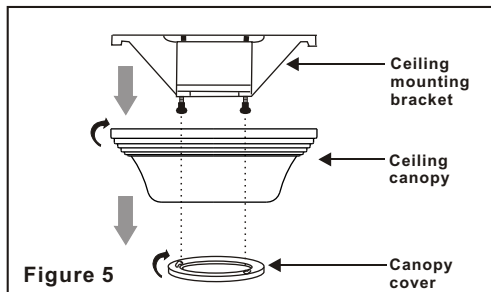
**Step 7.** Align the holes at the bottom of the downrod with the holes in the collar on top of the motor housing (Fig.7). Carefully insert the hanger pin through the holes in the collar and downrod. Be careful not to jam the pin against the wiring inside the downrod. Insert the locking pin through the hole near the end of the hanger pin until it snaps into its locked position, as noted in the circle inset of Fig. 7.

## WARNING

FAILURE TO PROPERLY INSTALL LOCKING PIN AS NOTED IN STEP 7 COULD RESULT IN FAN LOOSENING AND POSSIBLY FALLING.

**Step 8.** Tighten two set screws on top of the fan motor firmly (Figure 7)

**Step 9.** Place the downrod ball into the hanger bracket socket.



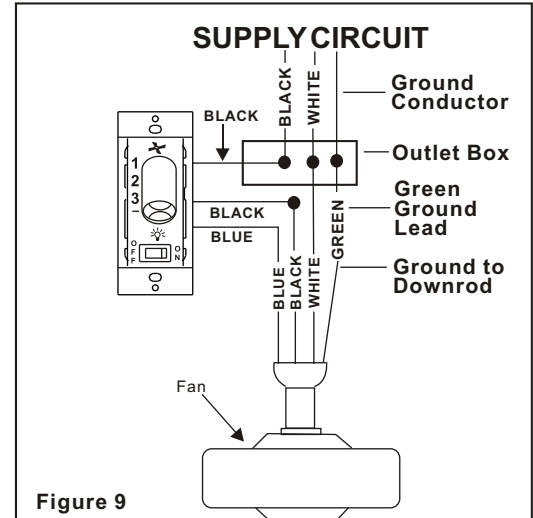
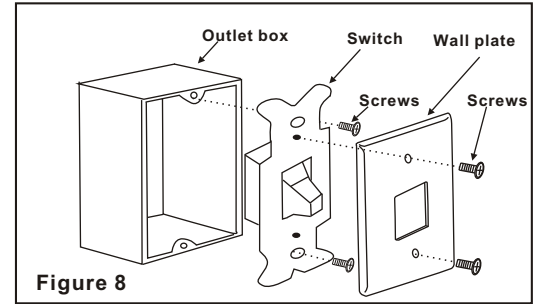
## Make the Electric Connections

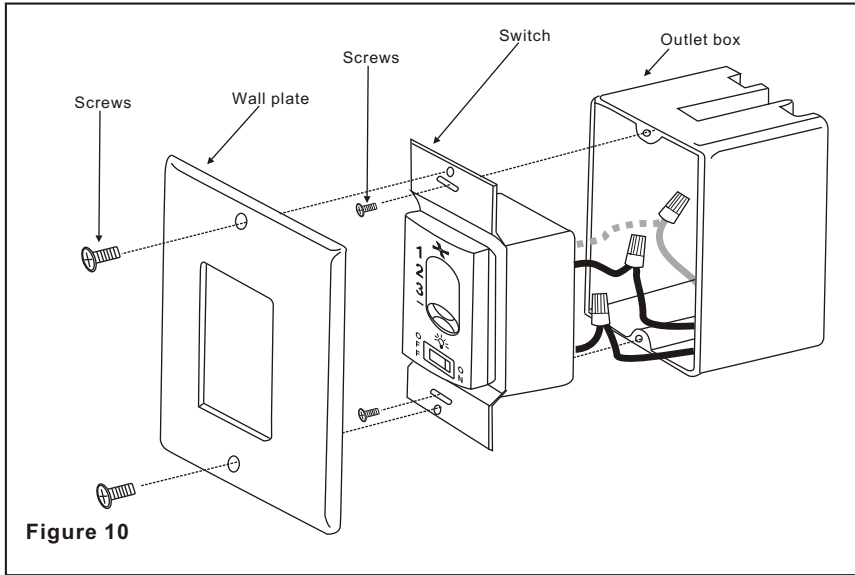
**WARNING:** To avoid possible electrical shock, be sure electricity is turned off at the main fuse box before wiring.

1. Disconnect the power and remove the existing wall plate and switch (Figure 8).
2. Set knobs on the wall control in the off and "-" position.
3. Make wire connections (Figure 9) and secure with wire nuts supplied.

Black wire from fan to black wire from speed control.  
Black wire from speed control to Black wire from the A/C supply source.  
Blue wire from fan to blue wire from speed control  
White wire from fan to White wire from the A/C supply source.  
Connect the fan ground wire (green) to the household ground wire.

4. If your outlet box has a ground wire (green or bare copper) connect the wall transmitter's ground wire to it; otherwise connect the wall transmitter's ground wire directly to one of the screws from the outlet box.
5. Attach the wall control to the outlet (wall) box and secure with 2 outlet box screws (Figure 10).
6. Attach the wall plate over the wall transmitter and secure with the two screws provided (Figure 10).



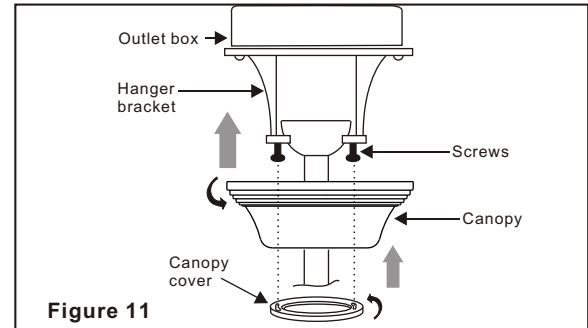


## Finishing the Installation

**Step 1.** Tuck connections neatly into ceiling outlet box.  
**Step 2.** Slide the canopy up to ceiling and over the 2 screws on the hanger bracket. Rotate canopy clockwise. Next, while holding the canopy with one hand, slide the canopy cover over the screws and rotate clockwise until tight. **Note:** adjust the canopy screws as necessary until the canopy and canopy cover are snug. (Fig. 11)

### WARNING

Make sure the notch on the hanging bracket properly sits in the groove in the hanger ball before attaching the canopy to the bracket by turning the housing until it drops into place.





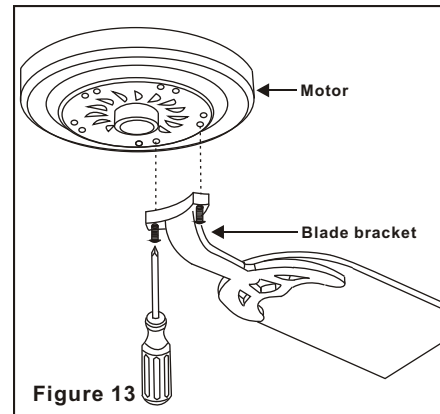
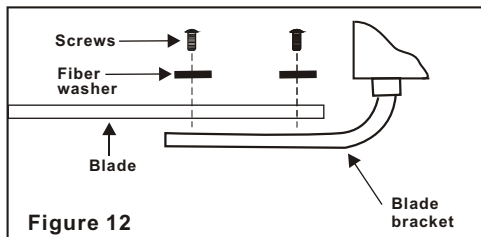
# Attaching the Fan Blades

**Step 1** Attach blades to blade brackets using four screws and fiber washers as shown in Figure 12. Start a screw into the bracket, do not tighten. Repeat for the 3 remaining screws and washers.

**Step 2** Tighten each screw securely starting with the center screw. Make sure the blade is straight

**Step 3** Fasten blade assemblies to the motor using the screws already installed in the motor housing. (Figure 13)

**Step 4** Install an optional light kit if you wish. Follow the instructions included with the kit.



All blades are grouped by weight. Because natural woods vary in density, the fan may wobble even though the blades are weighed equally.

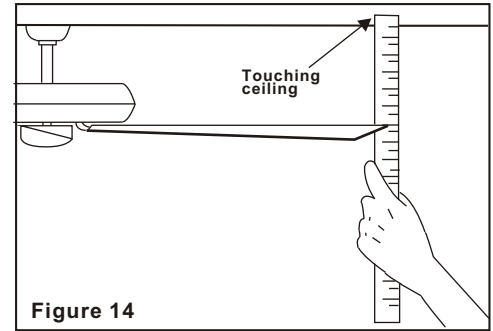
The following procedure should correct most fan wobbling problems. Check after each step.

1. Check that all blade and blade arm screws are secure.
2. Most fan wobbling problems are caused when blade levels are unequal. Check this level by selecting a point on the ceiling above the tip of one of the blades. Measure this distance as shown in Figure 14. Rotate the fan until the next blade is positioned for measurement. Repeat for each blade. The distance deviation should be equal within 1/8".

3. Use the enclosed Blade Balancing Kit if the blade wobble is still noticeable.

4. If the blade wobble is still noticeable, interchanging two adjacent (side by side) blades can redistribute the weight and possibly result in smoother operation.

**WARNING**  
**TO REDUCE THE RISK OF PERSONAL INJURY, DO NOT BEND THE BLADE HOLDERS WHILE INSTALLING, BALANCING THE BLADES, OR CLEANING THE FAN. DO NOT INSERT FOREIGN OBJECTS BETWEEN ROTATING FAN BLADES.**



**Figure 14**

**NOTE:** Before starting installation, disconnect the power by turning off the circuit breaker or removing the fuse at fuse box.

**Turning power off using the fan switch is not sufficient to prevent electric shock.**

1. Remove and discard the center plug from the switch housing. Attach the light kit to the switch housing by feeding the light kit wires (black and white) through the hole of switch housing and then screw it onto the switch housing by nut & lock washer. Be sure it is tight enough to prevent light kit from vibrating loose. (Fig. 15)

2. Locate two single white and blue wires in the switch housing labeled FOR LIGHT.

3. Make the polarized plug connections:  
- White to white  
- Blue to black

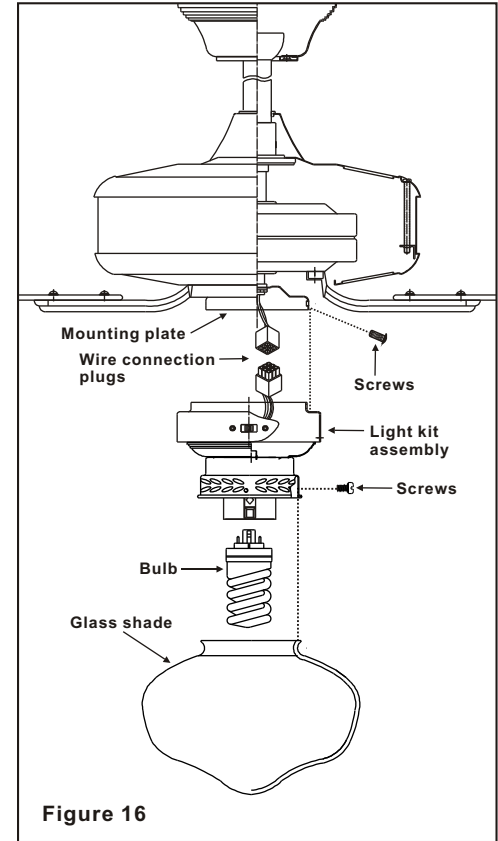
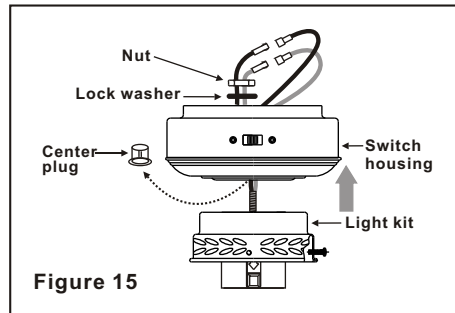
4. While holding the light kit assembly under your fan, snap together the wire connection plugs.

5. Carefully push all wires back into the switch housing, then install the light kit assembly onto the mounting plate with 3 screws provided. Be sure to tighten all screws. (Fig. 16)

6. Install a 18 watt (max.) fluorescent lamp (included) onto the socket.

7. Mount the glass shades to the light fixture by unscrewing partway the thumbscrews on the glass holders, inserting the glass, then gently tightening the thumbscrews by hand evenly to the glass. **DO NOT OVER TIGHTEN.** (Fig. 16)

**NOTE:** Light bulb have no warranty, can be purchased at local light bulb specialty store or from our service center.

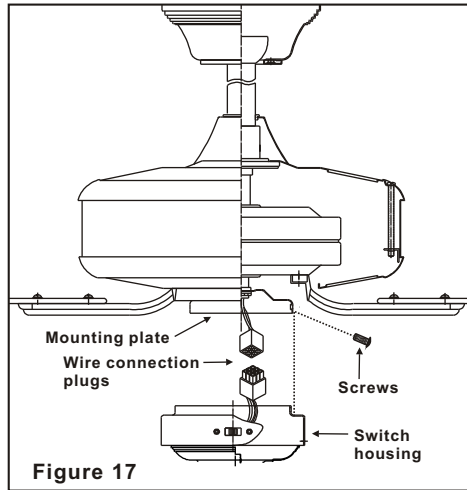


## 9. Installing the Light Kit

## Fan without Light Kit

**REMEMBER** to turn off the power.

1. Holding the switch housing under your fan, snap together the wire connection plugs. (Fig. 17)
2. Install the switch housing to the mounting plate with screws provided. (Fig. 17)



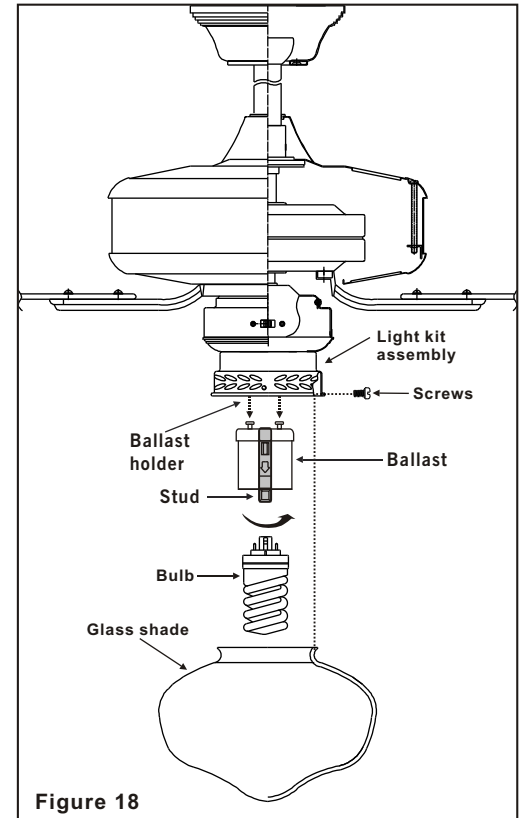
## BALLAST REPLACEMENT

**REMEMBER** to turn off the power.

Here are the procedures to help you maintain your bulb and ballast:

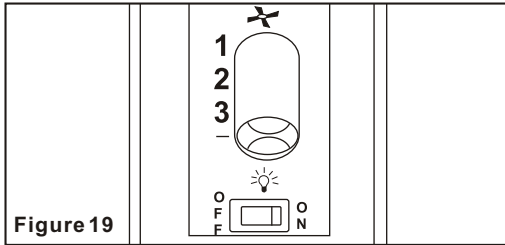
1. If you find your bulb doesn't work, check the bulb and replace a new one at first.
2. If it still doesn't work, check the ballast that has pre-installed on the ballast holder in factory and replace a new one if needed.
3. How to disassemble the ballast from the ballast holder:
  - a. Remove the glass shade from the light kit.
  - b. Push up the two studs of the ballast, turn the ballast left and remove the ballast from the ballast holder.

**NOTE:** Ballast has no warranty, can be purchased from our service center.



## Restore power to ceiling fan and test for proper operation.

1. "1, 2, 3" buttons:  
These three buttons are used to set the fan speed as follows:  
1= Low speed 2= Medium speed  
3= High speed
2. "—" button:  
This button turns the fan off.
3. The "💡" button turns the light ON or OFF .



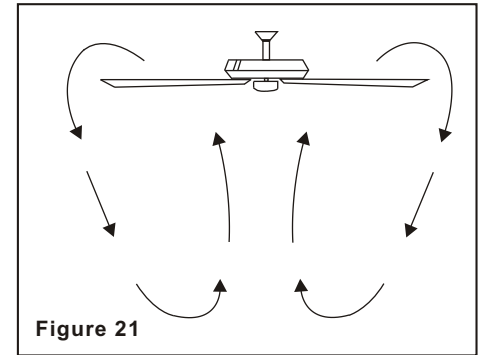
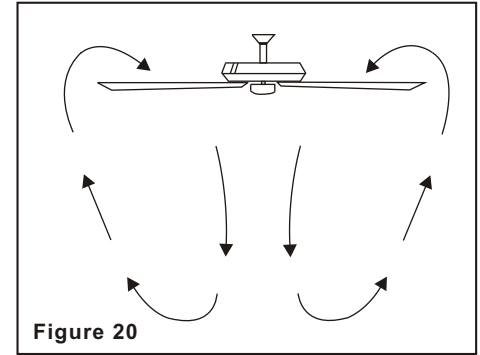
Speed settings for warm or cool weather depend on factors such as the room size, ceiling height, number of fans, etc.

The Reverse switch is located on the switch housing. Slide the switch to the Left for warm weather operation. Slide the switch to the Right for cool weather operation.

**NOTE:** Wait for fan to stop before changing the setting of the slide switch.

Warm weather - (Forward) A downward air flow creates a cooling effect as shown in Figure 20. This allows you to set your air conditioner on a higher setting without affecting your comfort.

Cool weather - (Reverse) An upward airflow moves warm air off the ceiling area as shown in Figure 21. This allows you to set your heating unit on a lower setting without affecting your comfort.



# 11. Operating Your Transmitter

Here are some suggestions to help you maintain your fan

1. Because of the fan's natural movement, some connections may become loose. **Check the support connections, brackets, and blade attachments twice a year.** Make sure they are secure. **(It is not necessary to remove fan from ceiling.)**

2. Clean your fan periodically to help maintain its new appearance over the years. Use only a soft brush or lint-free cloth to avoid scratching the finish. The plating is sealed with a lacquer to minimize discoloration or tarnishing. Do not use water when cleaning. This could damage the motor, or the wood, or possibly cause an electrical shock.

3. You can apply a light coat of furniture polish to the wood blades for additional protection and enhanced beauty. Cover small scratches with a light application of shoe polish.

4. **There is no need to oil your fan.** The motor has permanently lubricated bearings.

**IMPORTANT**

MAKE SURE THE POWER IS OFF AT THE ELECTRICAL PANEL BOX BEFORE YOU ATTEMPT ANY REPAIRS. REFER TO THE SECTION "MAKING ELECTRICAL CONNECTIONS"

*Care of Your Fan 12.*

## Problem

Fan will not start.

## Solution

1. Check circuit fuses or breakers.
2. Check line wire connections to the fan and switch wire connections in the switch housing.  
**CAUTION:** Make sure main power is off.

Fan sounds noisy.

1. Make sure all motor housing screws are snug.
2. Make sure the screws that attach the fan blade bracket to the motor hub is tight.
3. Make sure wire nut connections are not rubbing against each other or the interior wall of the switch housing.  
**CAUTION:** Make sure main power is off.
4. Allow a 24-hour "breaking-in" period. Most noise associated with a new fan disappears during this time.
5. If using an optional light kit, make sure the screws securing the glassware are tight. Check that light bulb is also secure.
6. Some fan motors are sensitive to signals from solid-state variable speed controls.  
If you have installed this type of control, choose and install another type of control.
7. Make sure the upper canopy is a short distance from the ceiling. **It should not touch the ceiling.**

# *13. Troubleshooting*

| <b>Fan Size</b> | <b>Speed</b>  | <b>Volts</b> | <b>Amps</b> | <b>Watts</b> | <b>RPM</b> | <b>CFM</b> | <b>N.W.</b> | <b>G.W.</b> | <b>C.F.</b>  |
|-----------------|---------------|--------------|-------------|--------------|------------|------------|-------------|-------------|--------------|
| <b>52"</b>      | <b>Low</b>    | <b>120</b>   |             |              |            |            | <b>kgs</b>  | <b>kgs</b>  | <b>2.52'</b> |
|                 | <b>Medium</b> | <b>120</b>   |             |              |            |            |             |             |              |
|                 | <b>High</b>   | <b>120</b>   |             |              |            |            |             |             |              |

These are approximate measures. They do not include Amps and Wattage used by the light kit.

Distributed by  
Home Depot Supply, Inc.  
10641 Scripps Summit  
San Diego, CA 92131, U.S.A.

Customer Service: 1-877-902-5588

MADE IN CHINA  
HECHO EN CHINA

*Specifications 14.*