

World Imports Lifetime Limited Warranty

The retailer warrants the fan motor to be free from defects in workmanship and material present at time of shipment from the factory for a lifetime after the date of purchase by the original purchaser. The retailer also warrants that all other fan parts, excluding any glass or plexiglass blades, to be free from defects in workmanship and material at the time of shipment from the factory for a period of one year after the date of purchase by the original purchaser. We agree to correct such defects without charge or at our option replace with a comparable or superior model if the product is returned to the retailer. To obtain warranty service, you must present a copy of the receipt as proof of purchase. All costs of removing and reinstalling the product are your responsibility. Damage to any part such as by accident or misuse or improper installation or by affixing any accessories, is not covered by this warranty. Because of varying climatic conditions in the United States this warranty does not cover any changes in brass finish, including rusting, pitting, corroding, tarnishing or peeling. Brass finishes of this type give their longest useful life when protected from varying weather conditions. A certain amount of wobble is normal and should not be considered a defect. Servicing performed by unauthorized persons shall render the warranty invalid. **There is no other express warranty. The retailer hereby disclaims any and all warranties, including but not limited to. Those of merchantability and fitness for a particular purpose to the extent permitted by law.** The duration of any implied warranty which cannot be disclaimed is limited to the time period as specified in the express warranty. Some states do not allow limitation on how long an implied warranty lasts, so the above limitation may not apply to you. **The retailer shall not be liable for incidental, consequential, or special damages arising out of or in connection with product use or performance except as may otherwise be accorded by law.** Some states do not allow the exclusion of incidental or consequential damages, so the above exclusion or limitation may not apply to you. This warranty gives specific legal rights, and you may also have other rights which vary from state to state. This warranty supersedes all prior warranties.

Date Purchased _____

Store Purchased _____

Model No. _____ 296-571

Serial No. _____

Vendor No. _____ 219032

UPC _____ 792145350903

Lifetime Limited Warranty

Safety Rules.....	1.
Unpacking Your Fan	2.
Installing Your Fan	3.
Installing the Decorative Cover.....	10.
Operating Your Fan	11.
Operating Your Transmitter.....	12.
Care of Your Fan	13.
Troubleshooting.....	14.
Specifications	15.

Table of Contents

1. To reduce the risk of electric shock, insure electricity has been turned off at the circuit breaker or fuse box before beginning.
 2. All wiring must be in accordance with the National Electrical Code and local electrical codes. Electrical installation should be performed by a qualified licensed electrician.
 3. **WARNING:** To reduce the risk of electrical shock and fire, do not use this fan with any solid-state fan speed control device.
 4. **WARNING:** To reduce the risk of fire, electric shock, or personal injury, mount to outlet box marked "**Acceptable for Fan Support of 22.7 kg (50 lbs.) Or Less**" and use mounting screws provided with the outlet box. Most outlet boxes commonly used for the support of light fixtures are not acceptable for fan support and may need to be replaced. Due to the complexity of the installation of this fan, a qualified licensed electrician is strongly recommended.
7. Avoid placing objects in the path of the blades.
 8. Reverse the fan while the motor is on any speeds.
 9. To avoid personal injury or damage to the fan and other items, be cautious when working around or cleaning the fan.
 10. Do not use water or detergents when cleaning the fan or fan blades. A dry dust cloth or lightly dampened cloth will be suitable for most cleaning.
 11. After making electrical connections, spliced conductors should be turned upward and pushed carefully up into the outlet box. The wires should be spread apart with the grounded conductor and the equipment-grounding conductor on one side of the outlet box.
 12. Electrical diagrams are for reference only. Light kits that are not packed with the fan must be UL Listed and marked suitable for use with the model fan you are installing. Switches must be UL General Use Switches. Refer to the Instructions packaged with the light kits and switches for proper assembly.

WARNING

TO REDUCE THE RISK OF FIRE, ELECTRIC SHOCK OR PERSONAL INJURY, MOUNT FAN TO OUTLET BOX MARKED ACCEPTABLE FOR FAN SUPPORT.

5. The outlet box and support structure must be securely mounted and capable of reliably supporting a minimum of 50 pounds. Use only UL Listed outlet boxes marked **FOR FAN SUPPORT**.
6. The fan must be mounted with a minimum of 7 feet clearance from the trailing edge of the blades to the floor.

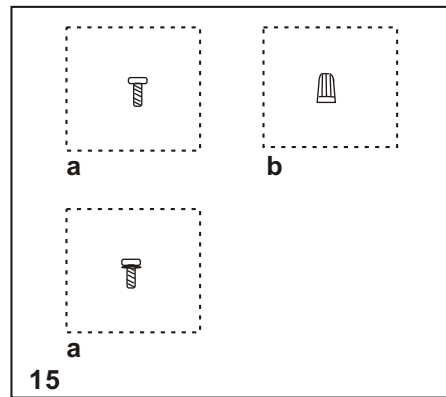
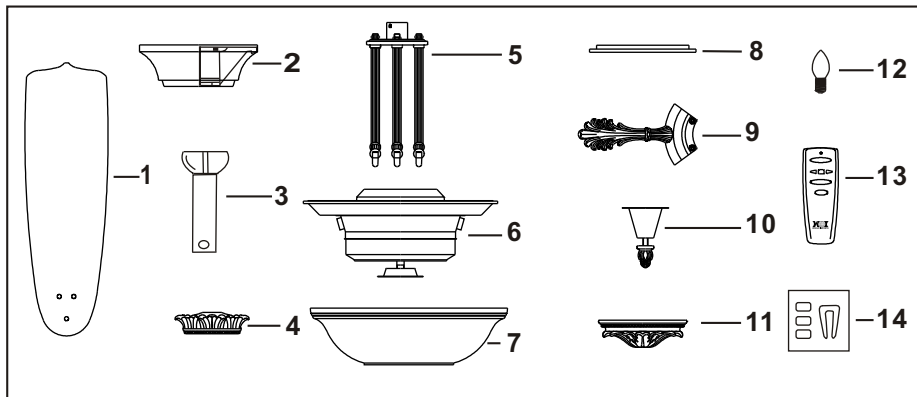
WARNING

TO REDUCE THE RISK OF PERSONAL INJURY, DO NOT BEND THE BLADE ARMS (ALSO REFERRED TO AS BRACKETS) DURING ASSEMBLY OR AFTER INSTALLATION. DO NOT INSERT OBJECTS IN THE PATH OF THE BLADES.

NOTE

READ AND SAVE ALL INSTRUCTIONS!

1. Safety Rules



Unpack your fan and check the contents. You should have the following items:

- | | |
|------------------------------|--|
| 1. Set of blades (5) | 9. Set of blades arms (5) |
| 2. Canopy assembly | 10. Mounting cap with nut |
| 3. Ball/downrod assembly (1) | 11. Decorative cover |
| 4. Coupling cover | 12. 25W candelabra bulbs (4) |
| 5. Decorative scroll | 13. Transmitter+holder+2 mounting screws |
| 6. Fan motor assembly | 14. Balancing kit |
| 7. Glass housing | |
| 8. Glass plate | |

15. Loose parts bag containing:

- a. Blade attachment hardware (16 screws)
- b. Mounting hardware (3 plastic wire connectors)
- c. Decoration scroll mounting hardware (4 screws with washers)

WARNING
DO NOT INSTALL OR USE FAN
IF ANY PART IS DAMAGED OR MISSING.
CALL TOLLFREE 1-877-902-5588

Unpacking Your Fan 2.

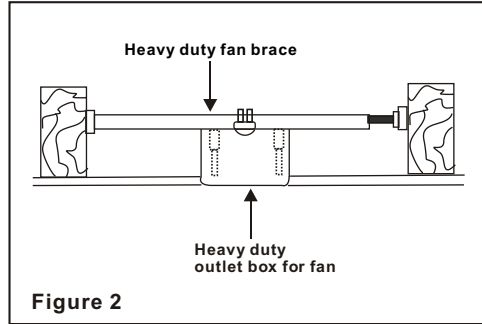
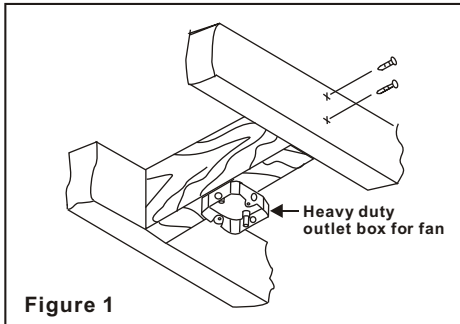
Tools Required

Phillips screwdriver, straight slot screwdriver, adjustable wrench, step ladder, and wire cutters.

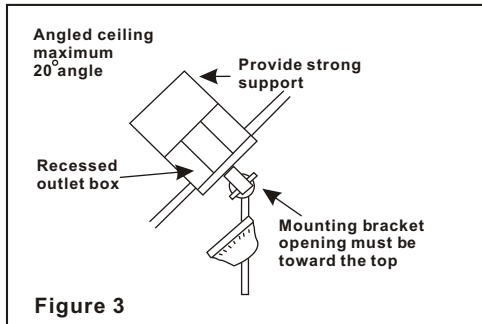
Mounting Options

Heavy duty ceiling fan rated outlet box is required (at least 50 lbs). Do not use regular outlet box (metal or plastic).

Figure 1,2 and 3 are examples of different ways to mount the outlet box.



Note: You may need a longer downrod to maintain proper blade clearance when installing on a steep, sloped ceiling.



3. Installing Your Fan

Installing the Downrod and Decorative Scroll

For packaging purpose, the decorative scroll and downrod are packed disassembled, proceed the following steps for proper fan assembly:

Step 1. Spread the decorative scroll appropriately and then secure the 4 scroll arms with the screws and washers provided in the loose parts bag C. This procedure will help you to install the decorative scroll onto the top of motor assembly easily. (Figure 4)

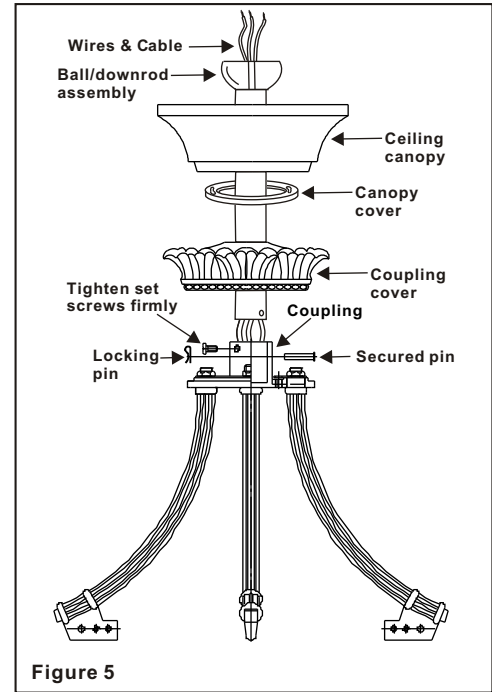
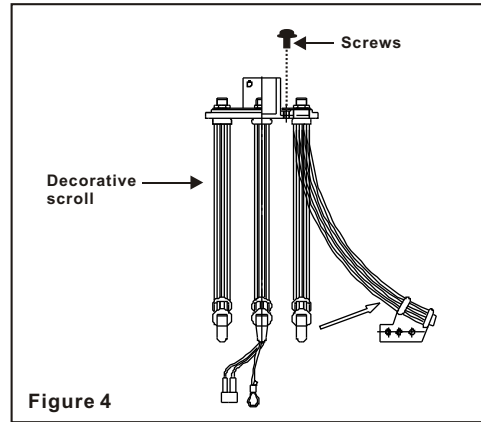
Step 2. Remove the hanger pin, locking pin and set screws from the coupling that located on the top of decorative scroll.

Step 3. Route the wires and safety cable existing from the decorative scroll through the coupling cover. Route the wires and safety cable through the canopy cover and canopy, and then through the ball/downrod assembly (Figure 5). Disassembling the canopy kit before proceeding Step 3, see step 1, 2 and 3 in "Hanging the fan".

Step 4. Align the holes at the bottom of the downrod with the holes in the coupling on the top of the decorative scroll (Figure 5). Carefully insert the hanger pin through the holes in the coupling and downrod, be careful not to jam the pin against the wiring inside the downrod. Insert the locking pin through the hole in locked position. Figure 5.

Step 5. Tighten two set screws firmly on the coupling located at top of the decorative scroll. Slip the coupling cover onto the coupling. The decorative scroll assembly is now completed.

WARNING
FAILURE TO PROPERLY INSTALL
LOCKING PIN AS NOTED IN STEP 4
COULD RESULT IN FAN LOOSENING
AND POSSIBLY FALLING.



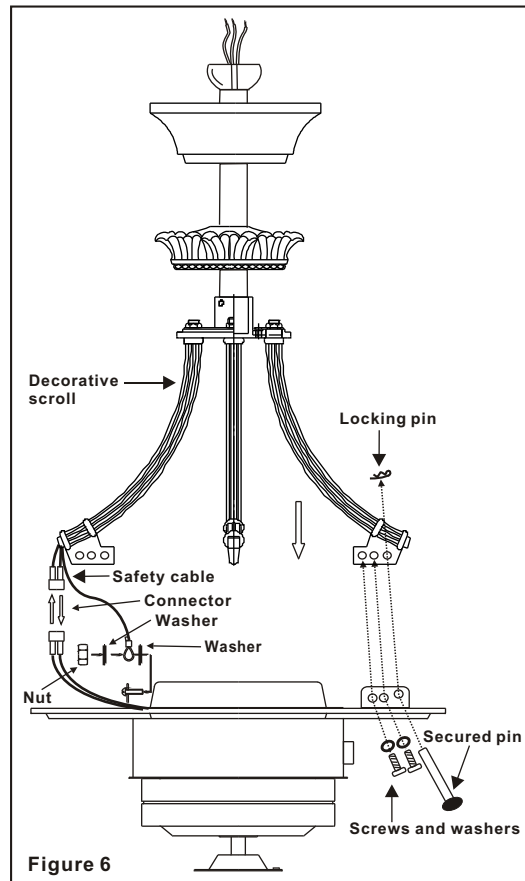
Attaching the Fan Motor Assembly

Step 1. Hold the fan motor assembly under the decorative scroll assembly for installation. (Figure 6)

Step 2. Remove the screws and secured pin from the decorative scroll assembly, place the decorative scroll in the top plate of motor assembly, align the screw holes at the bottom of decorative scroll with the holes in the top plate of fan motor assembly and then secure with the two screws and secured pin provided (Figure 6), Repeat the procedure for the remaining decorative scrolls. **NOTE: Make sure the three rods are evenly set on the plate of the motor assembly.**

Step 3. Snap together the wire connection plug from decorative scroll assembly and fan motor assembly. (Figure 6)

Step 4. Remove the nut and washers from the top plate of motor assembly and then place the looped end of the safety cable from the decorative scroll between the two washers and secure with nut provided. (Figure 6)



Hanging the Fan

REMEMBER to turn off the power. Follow the steps below to hang your fan properly:

Step 1. Remove the decorative canopy bottom cover from the canopy by turning the cover counter clockwise. (Fig.7)

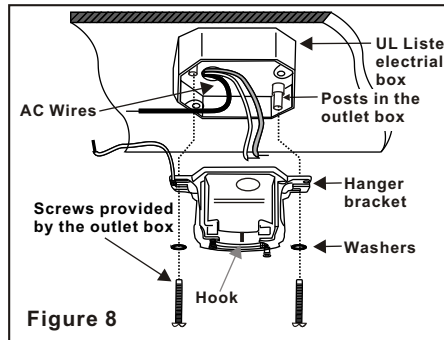
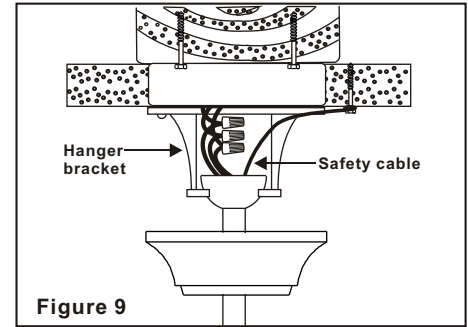
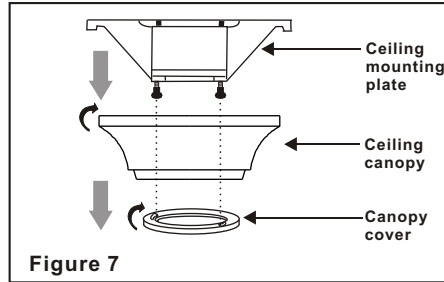
Step 2. Remove the hanger bracket from the canopy by loosening the two screws on the bottom of the hanging bracket a half turn from the screw head and turning the canopy counter clockwise. (Figure 7)

Step 3. Install the hanger bracket to the outlet box; be sure to align the holes in the hanger bracket with the post holes in the outlet box and secure with screws and washers provided by the outlet box.

Step 4. Hanging the assembled fan onto the mounting bracket, place the downrod ball into the mounting bracket. Rotate fan until the slot of the downrod ball locks into the tab of the mounting bracket. (Figure 9)

Step 5. Secure the safety cable to the building structure as shown in Fig.9

Step 6. Connecting the wires (see making the electrical connections)



Making the Electrical Connections

Remember to disconnect the power.

Follow the steps below to connect the fan to your household wiring. Use the wire connecting nuts supplied with your fan. Secure the connectors with electrical tape. Make sure there are no loose strands or connections.

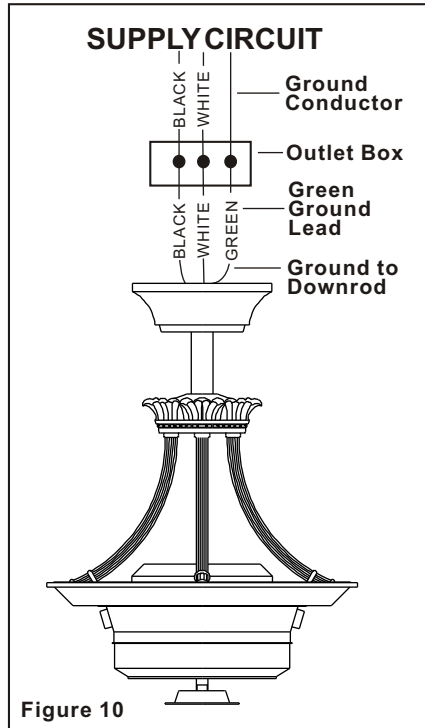
Step 1 Connect the fan supply (black) wire to the black household supply wire as shown in Figure 10.

Step 2. Connect the neutral fan (white) wire to the white neutral household wire.

Step 3 Connect the fan ground wire (green) to the household ground wire.

Step 4 After connecting the wires, spread them apart so that the green and white wires are on one side of the outlet box and the black wires are on the other side.

Step 5 Turn the connecting nuts upward and push the wiring into the outlet box.



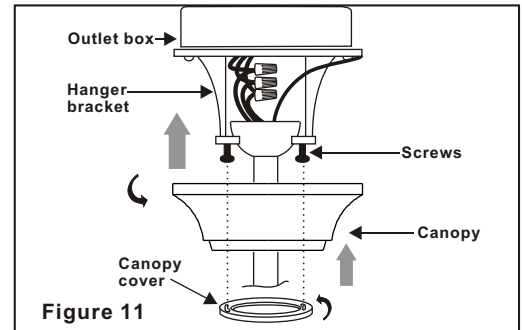
Finishing the Installation

Step 1. Tuck connections neatly into ceiling outlet box.

Step 2. Slide the canopy up to ceiling and over the 2 screws on hanger bracket. Rotate canopy clockwise, next, while holding the canopy with one hand, slide the canopy cover over the screws and rotate clockwise until tight. **Note:** adjust the canopy screws as necessary until the canopy and canopy cover are snug. (Fig. 11)

WARNING

Make sure the notch on the hanging bracket properly sits in the groove in the hanger ball before attaching the canopy to the bracket by turning the housing until it drops into place.



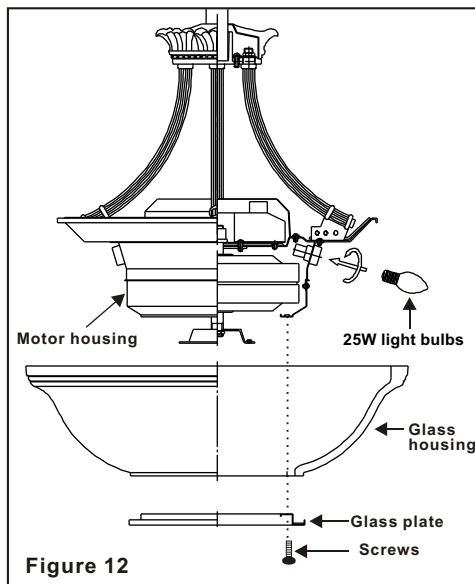
Attaching the Glass Housing

Remember to disconnect the power.

Step 1. Install the light bulbs (25W, 120VAC candelabra base included). Figure 12.

Step2. Remove 1 of the 4 screws from the motor housing and loosen the other 3 screws. (Do not remove)

Step 2. Raise glass housing plate and glass housing up against bottom of motor housing, place the key holes from the glass housing plate over the 3 screws previously loosened , turn glass housing plate until it locks in place at the narrow section of the key holes. Secure by tightening the 3 screws previously loosened and the one previously removed. (Fig. 12)

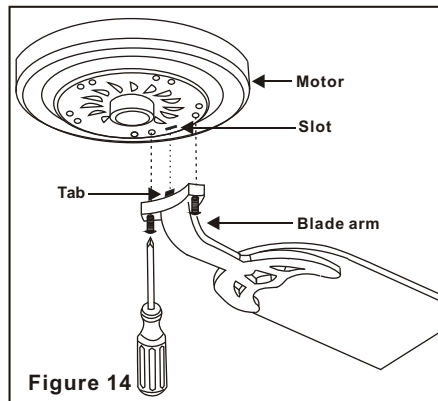
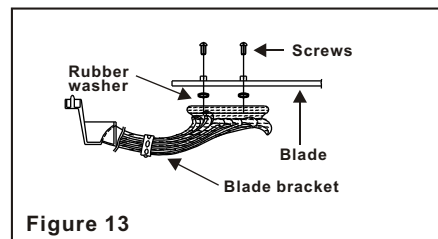


Attaching the Fan Blades

Step 1 Attach blades to blade arms using screws and rubber washers as shown in Figure 13. Start a screw into the arms, do not tighten. Repeat for the remaining screws and washers.

Step 2 Tighten each screw securely, make sure the blade is straight

Step 3 Fasten the blade arms to the motor by inserting the tab from the blade arms to the slot in the bottom motor housing, then tighten the two screws and washers already installed in the blade arms. (Figure 14)



All blades are grouped by weight. Because natural woods vary in density, the fan may wobble even though the blades are weight matched.

The following procedure should correct most fan wobble. Check after each step.

1. Check that all blade and blade arm screws are secure.
2. Most fan wobble problems are caused when blade levels are unequal. Check this level by selecting a point on the ceiling above the tip of one of the blades. Measure this distance as shown in Figure 15. Rotate the fan until the next blade is positioned for measurement. Repeat for each blade. The distance should be equal within 1/8".

3. Use the enclosed Blade Balancing Kit if the blade wobble is still noticeable.

4. If the blade wobble is still noticeable, interchanging two adjacent (side by side) blades can redistribute the weight and possibly result in smoother operation.

WARNING
TO REDUCE THE RISK OF PERSONAL INJURY,
DO NOT BEND THE BLADE HOLDERS
WHILE INSTALLING, BALANCING THE
BLADES, OR CLEANING THE FAN. DO NOT
INSERT FOREIGN OBJECTS BETWEEN
ROTATING FAN BLADES.

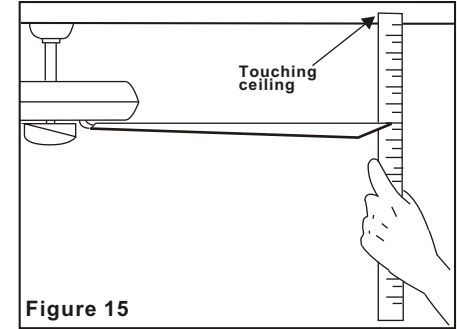
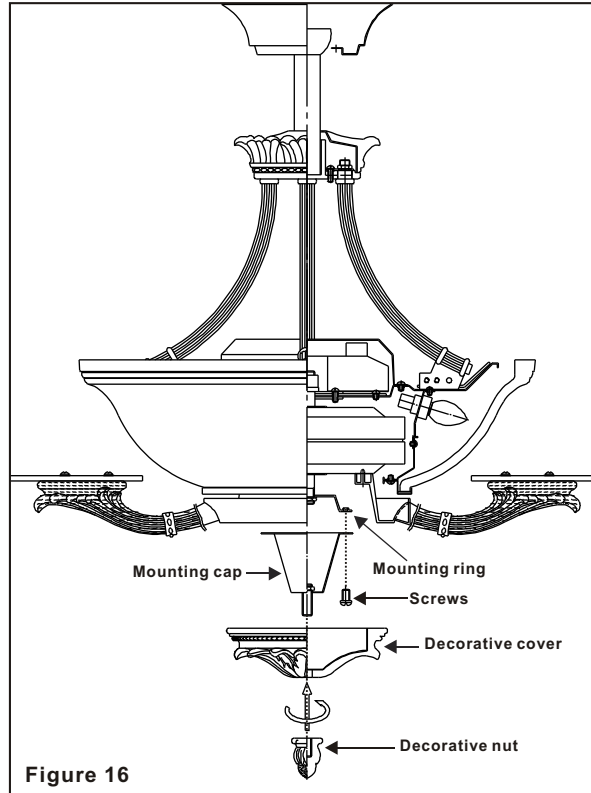


Figure 15

Step 1. Remove 1 of the 3 screws from the mounting ring and keep it for future use. Loosen the other 2 screws. (Do not remove)

Step 2. Place the key holes on the mounting cap over the 2 screws previously loosened from the mounting ring, turn mounting cap until it locks in place at the narrow section of the key holes. Secure by tightening the 2 screws previously loosened and the one previously removed. (Figure 16)

Step 6. Attach the decorative cover up to the mounting cap and secure it with the decorative nut provided. (Figure 16)



Installing the Decorative Cover 10.

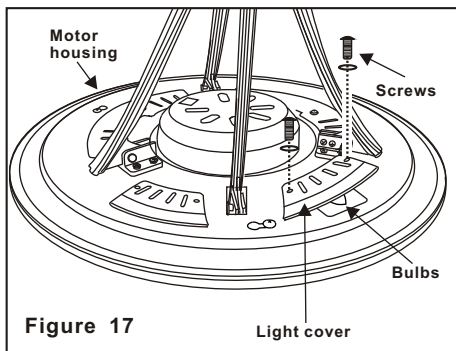
INTERIOR BULB REPLACEMENT

REMEMBER to turn off the power

Step 1. Remove the 2 screws from the light cover from the top decorative housing as shown in Figure 17..

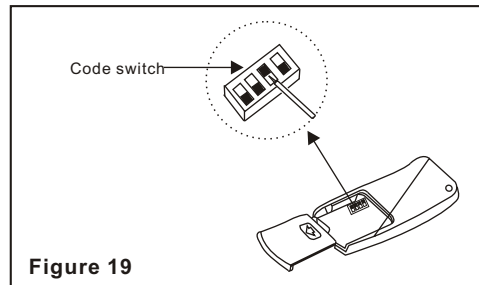
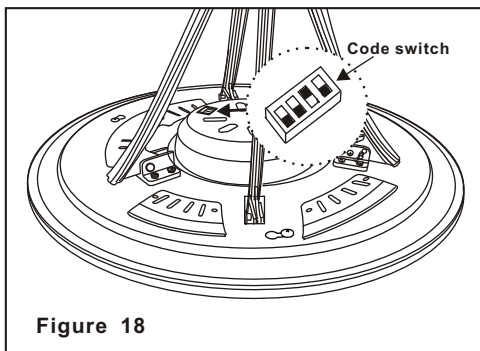
Step 2. Replace the defective bulb (25W, 120V AC CANDELABRA base).

Step 3. Place the light cover back to the top decorative housing and secure the screws in position.



1. The receiver frequency selector is located on the top of the motor assembly plate as shown in Fig. 18.

2. The transmitter frequency selector is located in the battery compartment as shown in Fig. 19. Each frequency selector has 4 switches, you may use any number of possible combinations but you must set each switch in the transmitter to match the same switch in the receiver.



11. Operating Your Fan

Restore power to ceiling fan and test for proper operation.

1. "LO, MED, HI" buttons:

These three buttons are used to set the fan speed as follows:

LO= Low speed **MED**= Medium speed

HI= High speed

2. "FAN OFF" button:

This button turns the fan off.

- ### 3. The "LIGHT/DIMMER" button turns the light ON or OFF and also controls the brightness setting. Press and release the button to turn the light ON or OFF. Press and hold the button to set the desired brightness. The light key has an auto-resume, it will stay at the same brightness as the last time it was turned off.

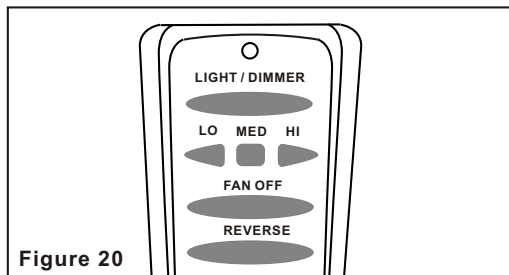


Figure 20

- ### 4. The "REVERSE" button is used to set the fan forward or reverse, press the button forward (for warm weather) or reverse (for cool weather):

Speed settings for warm or cool weather depend on factors such as the room size, ceiling height, number of fans, etc.

NOTE: To operate the reverse function on this fan, press the reverse button while the fan is running.

Warm weather - (Forward) A downward air flow creates a cooling effect as shown in Figure 21. This allows you to set your air conditioner on a higher setting without affecting your comfort.

Cool weather - (Reverse) An upward airflow moves warm air off the ceiling area as shown in Figure 22. This allows you to set your heating unit on a lower setting without affecting your comfort.

Note: Fan must be installed at a maximum distance of 20 feet from the transmitting unit for proper signal transmission between the transmitting unit and the fan's receiving unit.

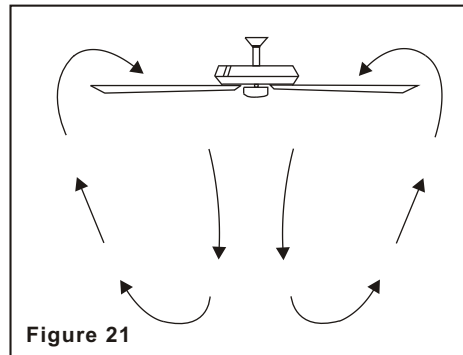


Figure 21

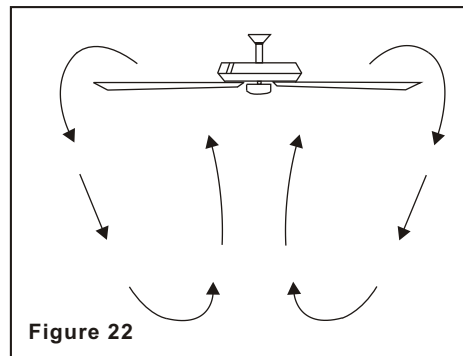
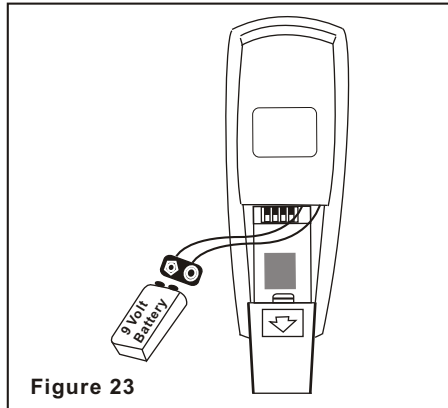


Figure 22

Operating Your Transmitter 12.

Installing the battery:

Install 9 volt battery (not included), to prevent damage to transmitter, remove the battery if not used for long periods.



Here are some suggestions to help you maintain your fan

1. Because of the fan's natural movement, some connections may become loose. **Check the support connections, brackets, and blade attachments twice a year.** Make sure they are secure. **(It is not necessary to remove fan from ceiling.)**

2. Clean your fan periodically to help maintain its new appearance over the years. Use only a soft brush or lint-free cloth to avoid scratching the finish. The plating is sealed with a lacquer to minimize discoloration or tarnishing. Do not use water when cleaning. This could damage the motor, or the wood, or possibly cause an electrical shock.

3. You can apply a light coat of furniture polish to the wood blades for additional protection and enhanced beauty. Cover small scratches with a light application of shoe polish.

4. **There is no need to oil your fan.** The motor has permanently lubricated bearings.

IMPORTANT

MAKE SURE THE POWER IS OFF AT THE ELECTRICAL PANEL BOX BEFORE YOU ATTEMPT ANY REPAIRS. REFER TO THE SECTION "MAKING ELECTRICAL CONNECTIONS"

13. Care of Your Fan

Problem

Solution

Fan will not start.

1. Check circuit fuses or breakers.
2. Check line wire connections to the fan and switch wire connections in the switch housing.
CAUTION: Make sure main power is off.
3. Check to make sure the dip switches from the transmitter and receiver are set to the same frequency.

Fan sounds noisy.

1. Make sure all motor housing screws are snug.
2. Make sure the screws that attach the fan blade bracket to the motor hub is tight.
3. Make sure wire nut connections are not rubbing against each other or the interior wall of the switch housing.
CAUTION: Make sure main power is off.
4. Allow a 24-hour "breaking-in" period. Most noise associated with a new fan disappears during this time.
5. If using an optional light kit, make sure the screws securing the glassware are tight. Check that light bulb is also secure.
6. Do not connect the fan with wall mounted variable speed control (s)
7. Make sure the upper canopy is a short distance from the ceiling. **It should not touch the ceiling.**

Remote control malfunction:

1. Do not connect the fan with wall mounted variable speed control (s)
2. Make sure the dip switches are set correctly.

Troubleshooting 14.

Fan Size	Speed	Volts	Amps	Watts	RPM	CFM	N.W.	G.W.	C.F.
54"	Low	120	Xxx	Xx	Xx	Xxxx	Xx kgs	Xx kgs	3.66'
	Medium	120							
	High	120							

These are approximate measures. They do not include Amps and Wattage used by the light kit.

Distributed by
Your Other Warehouse, LLC
12100 Little Cayman Dr.
Baton Rouge, LA 70809

©2005 Homer TLC, Inc. All Rights Reserved
World Imports is a registered trademark of Homer TLC, Inc.

15. Specifications