

# *Designers Fountain*

Distinctive Lighting and Ceiling Fans

## CEILING FAN OWNER'S MANUAL

---

MODEL: 52CG2L5-NI



**READ AND SAVE THESE INSTRUCTIONS**

**FOR CEILING FAN PARTS AND SERVICE,  
CALL 1-877-902-5588**

**FAN RATING AC 120V. 60Hz UL LISTED MODEL : AC-552OD**

# 1. SAFETY RULES

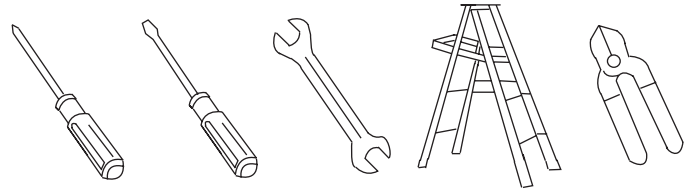
1. To reduce the risk of electric shock, insure electricity has been turned off at the circuit breaker or fuse box before beginning.
2. All wiring must be in accordance with the National Electrical Code and local electrical codes. Electrical installation should be performed by a qualified licensed electrician.
3. **WARNING:** To reduce the risk of electrical shock and fire, do not use this fan with any solid-state fan speed control device.
4. **WARNING:** To reduce the risk of personal injury, use only the two steel screws (and lock washers) provided with the outlet box for mounting to the outlet box. Most outlet boxes commonly used for the support of lighting fixtures are not acceptable for fan support and may need to be replaced, consult a qualified electrician if in doubt.
5. The outlet box and support structure must be securely mounted and capable of reliably supporting a minimum of 50 pounds. Use only UL Listed outlet boxes marked "**FOR FAN SUPPORT**".
6. The fan must be mounted with a minimum of 7 feet clearance from the trailing edge of the blades to the floor.
7. Do not operate reversing switch while fan blades are in motion. Fan must be turned off and blades stopped before reversing blade direction.
8. Avoid placing objects in the path of the blades.
9. To avoid personal injury or damage to the fan and other items, be cautious when working around or cleaning the fan.
10. Do not use water or detergents when cleaning the fan or fan blades. A dry dust cloth or lightly dampened cloth will be suitable for most cleaning.
11. After marking electrical connections, spliced conductors should be turned upward and pushed carefully up into outlet box. The wires should be spread apart with the grounded conductor and the equipment-grounding conductor on one side of the outlet box.
12. Electrical diagrams are reference only. Light kit that are not packed with the fan must be UL Listed and marked suitable for use with the model fan you are installing. Switches must be UL General Use Switches. Refer to the Instructions packaged with the light kits and switches for proper assembly.

**WARNING**  
TO REDUCE THE RISK OF FIRE,  
ELECTRIC SHOCK OR PERSONAL  
INJURY, MOUNT FAN TO OUTLET BOX  
MARKED "**ACCEPTABLE FOR FAN  
SUPPORT**".

**WARNING**  
TO REDUCE THE RISK OF PERSONAL  
INJURY, DO NOT BEND THE BLADE  
BRACKETS (ALSO REFERRED TO AS  
FLANGES) DURING ASSEMBLY OR  
AFTER INSTALLATION. DO NOT  
INSERT OBJECTS IN THE PATH OF THE  
BLADES.

## 2. TOOLS AND MATERIALS REQUIRED

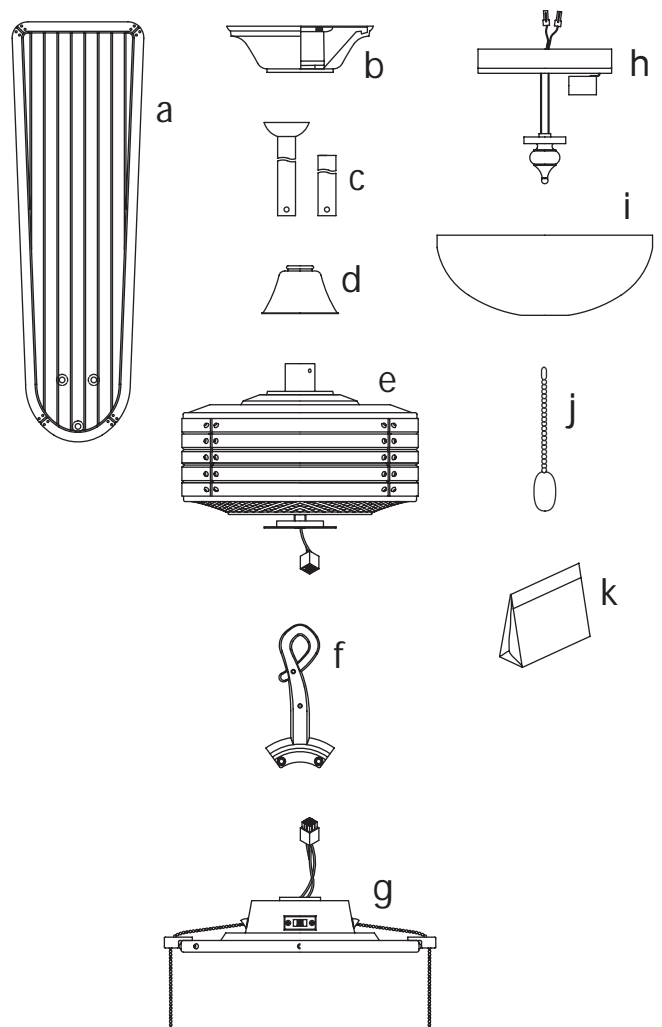
- Philips screw driver
- Blade screw driver
- 11 mm wrench
- Step ladder
- Wire cutters



## 3. PACKAGE CONTENTS

Unpack your fan and check the contents. You should have the following items;

- a. Blade set (5)
- b. Hanger bracket assembly
- c. Ball/downrod assembly (1) & extra downrod (1)
- d. Coupling cover
- e. Fan motor assembly
- f. Set of blades bracket (5)
- g. Switch housing
- h. Light kit
- i. Glass shade
- i. Pull chain and fobs (2)
- k. Package hardware
  - 1) Mounting hardware : screws (2), lock washers (2), star washers (2), wire nuts (3), wood screws (2), washers (2)
  - 2) Blade attachment hardware: screws (16), fiber washers (16)
  - 3) Balance Kit



**WARNING**  
DO NOT INSTALL OR USE FAN  
IF ANY PART IS DAMAGED OR MISSING.  
CALL TOLL FREE 1-877-902-5588.

## 4. MOUNTING OPTIONS

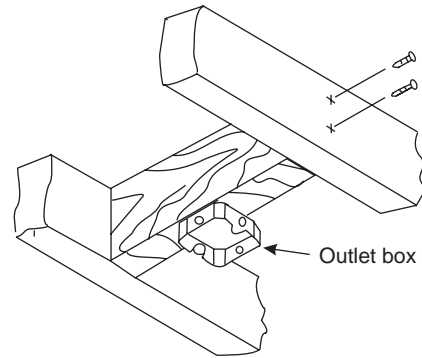
If there isn't an existing UL listed mounting box, then read the following instructions. Disconnect the power by removing fuses or turning off circuit breakers.

Secure the outlet box directly to the building structure. Use appropriate fasteners and building materials. The outlet box and its support must be able to fully support the moving weight of the fan (at least 50 lbs). Do not use plastic outlet boxes.

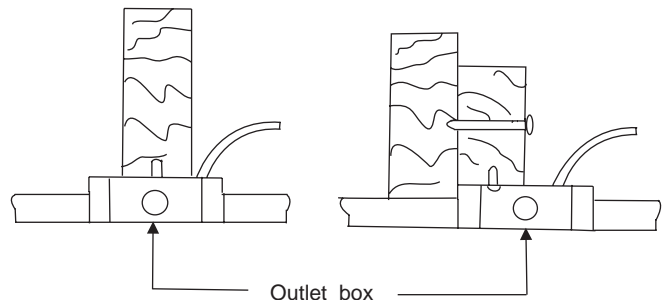
Figures 1,2 and 3 are examples of different ways to mount the outlet box.

**Note:** You may need a longer downrod to maintain proper blade clearance when installing on a steep, sloped ceiling. (Fig. 3)

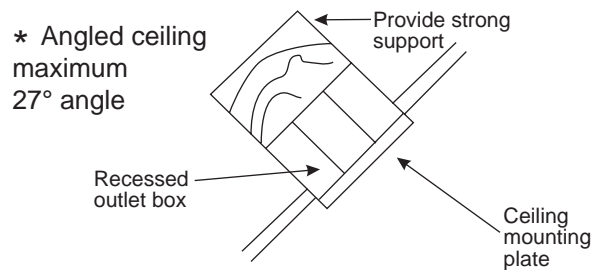
To hang your fan where there is an existing fixture but no ceiling joist, you may need an installation hanger bar as shown in Figure 4.



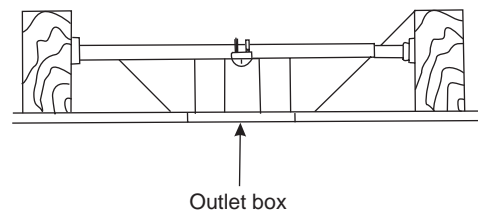
**Figure 1**



**Figure 2**



**Figure 3**



**Figure 4**

## 5. HANGING THE FAN

**REMEMBER** to turn off the power. Follow the steps below to hang your fan properly:

**Step 1.** Remove the decorative canopy bottom cover from the canopy by turning the cover counter clockwise.(Fig. 5)

**Step 2.** Remove the hanger bracket from the canopy by loosening the two screws on the bottom of the hanging bracket a half turn from the screw head and turning the canopy counter clockwise.(Fig, 5)

**Step 3.** Pass the 120-volt supply wires through the center hole in the ceiling hanger bracket as shown in Fig. 6.

**Step 4.** Secure the hanger bracket to the ceiling outlet box with the screws and washers provided with your outlet box.

**Step 5.** Remove the hitch pin, lock pin and set screws from the top of the motor assembly.

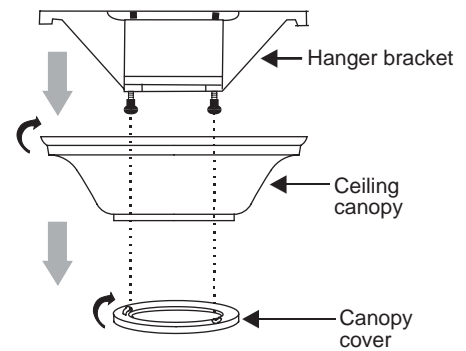
**Step 6.** Route wires exiting from the top of the fan motor through the coupling cover, canopy cover, canopy and then through the ball / downrod. (Fig. 7)

**NOTE:** Do not install the coupling cover if you plan to use the 4" downrod.

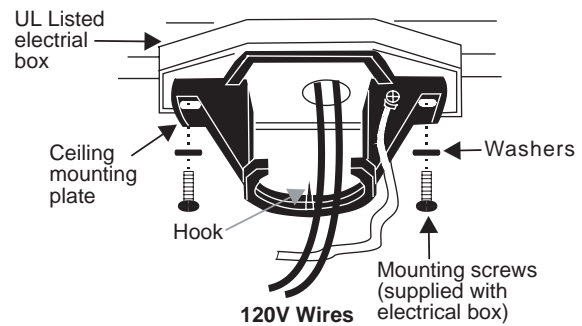
**Step 7.** Align the holes at the bottom of the downrod with the holes in the collar on top of the motor housing (Fig.7). Carefully insert the hitch pin through the holes in the collar and downrod. Be careful not to jam the pin against the wiring inside the downrod. Insert the locking pin through the hole near the end of the hitch pin until it snaps into its locked position, as noted in the circle inset of Fig. 7.

**Step 8.** Tighten two set screws on top of the fan motor firmly. (Fig. 7)

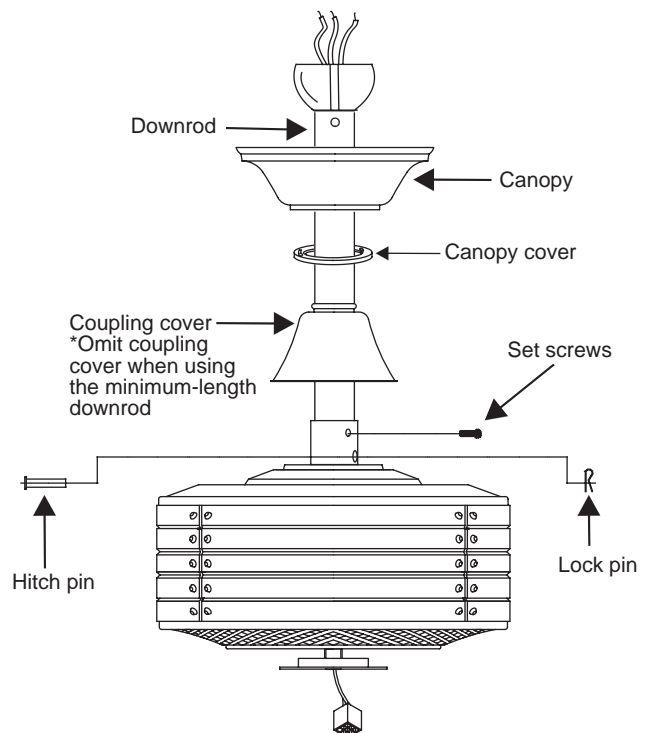
**Step 9.** Place the downrod ball into the hanger bracket socket. (Fig. 8)



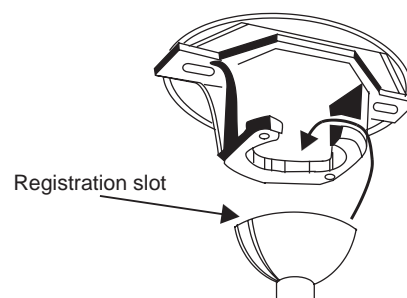
**Figure 5**



**Figure 6**



**Figure 7**



**Figure 8**

## CHANGING THE DOWNROD (OPTIONAL)

**NOTE:** Your fan comes with a 6" downrod attached to the hanger ball. In addition you have been provided with a 4" downrod to use if desired. If you choose to use the 4" downrod, perform the following steps:

1. Remove the hanger ball from the 6" downrod by loosening the set screw at the top of the downrod which holds the hanger ball to the downrod. (fig. 9)
2. Slide the hanger ball down the downrod and remove the support pin. (fig. 9)
3. Insert the support pin in the holes at the top of the 4" downrod and slide the hanger ball up the 4" downrod. Make sure the support pin is properly seated in the grooves in the top of the hanger ball.
4. Tighten the set screw firmly.

## 6. MAKE THE ELECTRIC CONNECTIONS

**Remember** to disconnect the power. Follow the steps below to connect the fan to your household wiring. Use the wire connecting nuts supplied with your fan. Secure the connectors with electrical tape. Make sure there are no loose strands or connections.

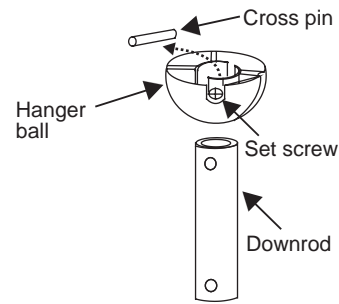
**Step 1** Connect the fan supply (black) wire and light supply (blue and orange) wire to the black household supply wire as shown in Figure 10.

**Step 2.** Connect the neutral fan (white) wire to the white neutral household wire.

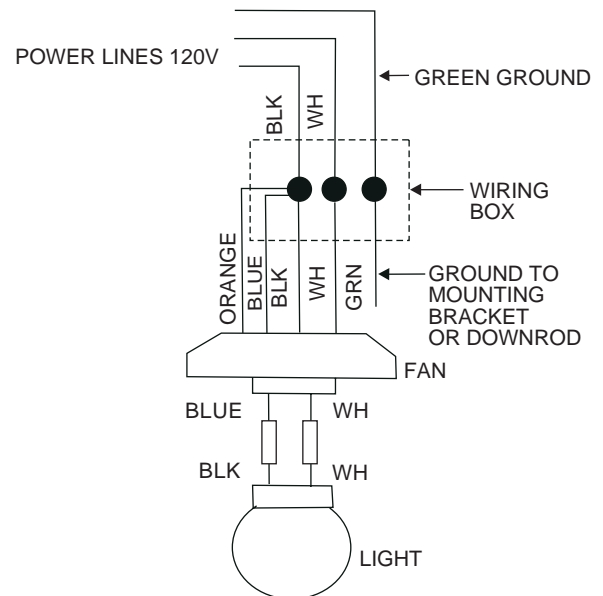
**Step 3** Connect the fan ground wire (green) to the household ground wire.

**Step 4** After connecting the wires, spread them apart so that the green and white wires are on one side of the outlet box and the black and the blue wires are on the other side.

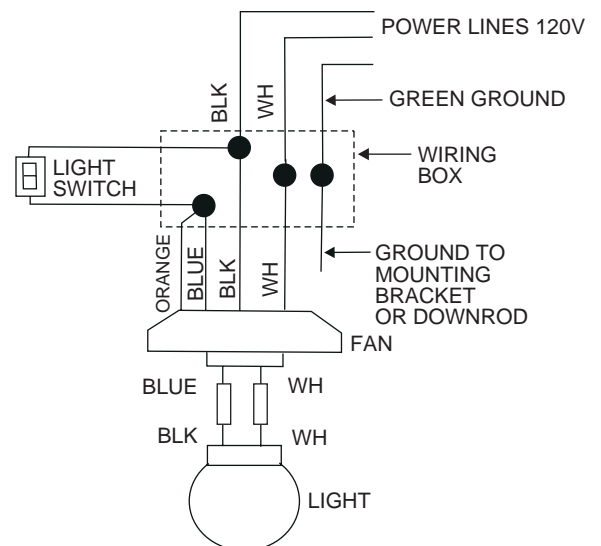
**Step 5** Turn the connecting nuts upward and push the wiring into the outlet box.



**Figure 9**



**Figure 10**



**Figure 11**

Figures 11 and 12 illustrate the wiring connections for optional wall control (The wire color out of wall control may vary, see wall control's installation manual for correct wire connections.)

**WARNING:** TO REDUCE THE RISK OF FIRE, ELECTRIC SHOCK, OR OTHER PERSONAL INJURY. MOUNT FAN ONLY ON AN OUTLET BOX OR SUPPORTING SYSTEM MARKED **ACCEPTABLE FOR FAN SUPPORT.**

## 7. FINISHING THE INSTALLATION

**Step 1.** Tuck connections neatly into ceiling outlet box.

**Step 2.** Slide the canopy up to ceiling and over the two screws on hanger bracket. Rotate canopy clockwise, next, while holding the canopy with one hand, slide the canopy cover over the screws and rotate clockwise until tight. **Note:** adjust the canopy screws as necessary until the canopy and canopy cover are snug. (Fig.13)

**Warning:** Make sure tab at bottom of hanger bracket is properly seated in groove of hanger ball before attaching canopy to bracket. Failure to properly seat tab in groove could cause damage to electrical wiring.

## 8. ATTACHING THE FAN BLADES

**Caution:** Remove 5 rubber packing mounts and discard before installation.

**Step 1** Attach the blade to the blade bracket using the screws and rubber washers as shown in Figure 14. Start screw into bracket. Repeat for the two remaining screws.

**Step 2** Tighten each screw. Make sure the blade are straight.

**Step 3** Fasten blade assembly to motor using the screws supplied. (Fig. 14)

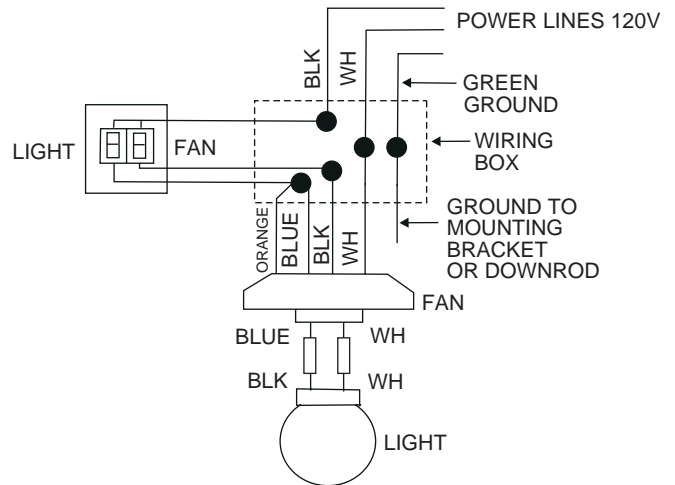


Figure 12

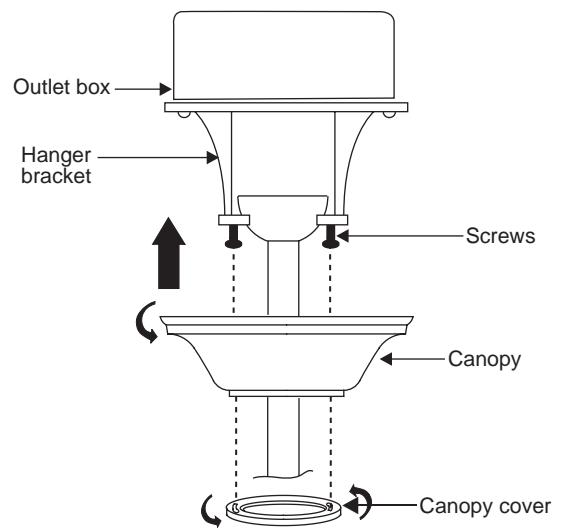


Figure 13

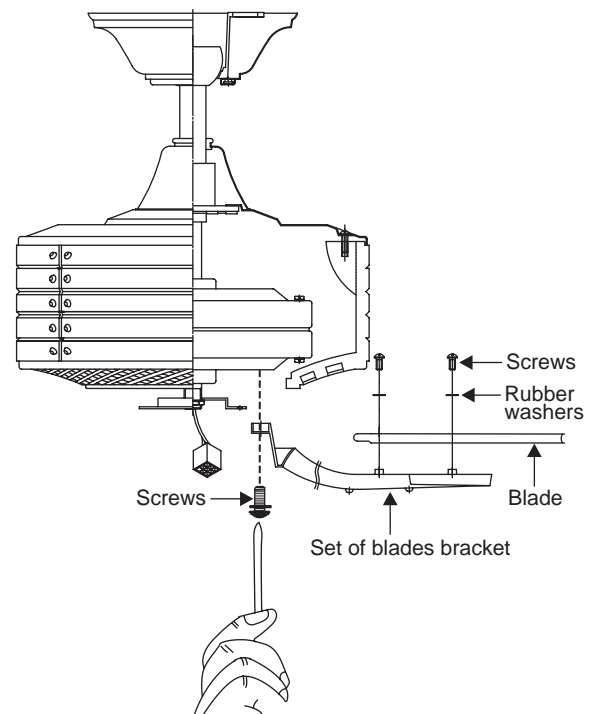


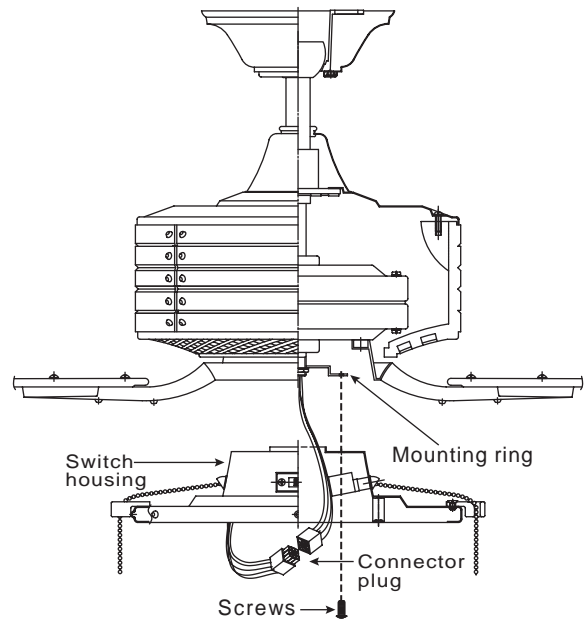
Figure 14

## 9. INSTALLATING THE SWITCH HOUSING

**Step 1.** Remove 1 of the 3 screws from the mounting ring and loosen the other 2 screws. (Do not remove)

**Step 2.** While holding the switch housing under your fan, snap together the wire connection plugs.

**Step 3.** Place the key holes on the switch housing over the 2 screws previously loosened from the mounting ring, turn switch housing until it locks in place at the narrow section of the key holes. Secure by tightening the 2 screws previously loosened and the one previously. (Fig. 15)



**Figure 15**

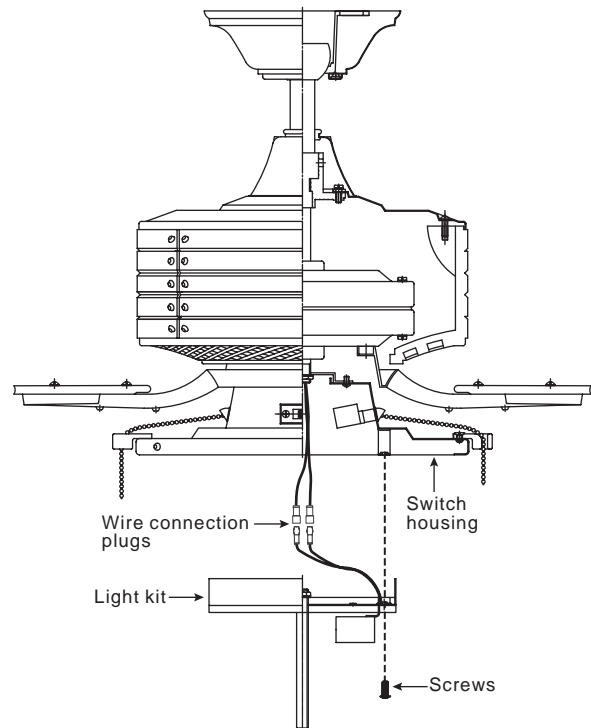
## 9. INSTALLATING THE LIGHT KIT

**NOTE:** Before starting installation, disconnect the power by turning off the circuit breaker or removing the fuse at fuse box. Turning power off using the fan switch is not sufficient to prevent electric shock.

**Step 1.** Loosen the 3 screws from the switch housing.

**Step 2.** Raise and hold the light kit close to the switch housing and proceed to do the wire connections. Connect the white wire connectors from the light kit and fan, follow the same procedure with the black wire connectors. (Fig. 16)

**Step 3.** Tuck connections neatly into switch housing, Place the light kit key holes over the 3 screws previously loosened from the switch housing, turn light kit until it locks in place at the narrow section of the key holes. Secure by tightening the 3 screws previously loosened. (Fig. 16)

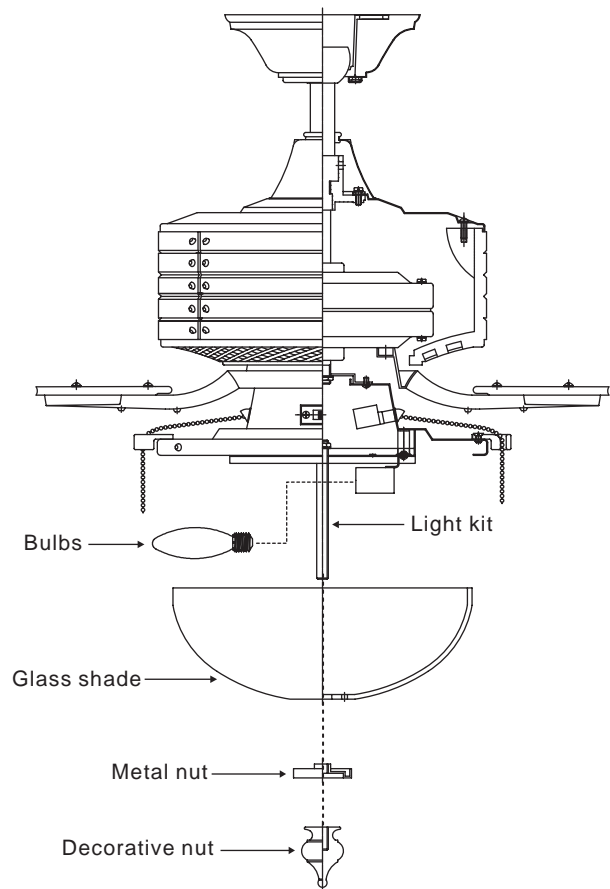


**Figure 16**



## 10. INSTALLING THE LIGHT BULBS & GLASS SHADE

1. Install 2 x 60W candelabra bulbs (not included). (Fig. 17)
2. Remove the decorative nut and metal nut from the light kit. Place glass shade over the light kit stem, secure with the metal nut (rubber side on the top) and decorative nut. Do not overtighten.(Fig. 17)
3. Restore power and your light kit is ready for operation.



**Figure 17**

# 11. OPERATING YOUR FAN

**NOTE:** Wait for fan to stop before changing the setting of the slide switch.

Turn on the power and check the operation of your fan. There are two pull chains available in your fan:

1. 3-speed pull chain- it controls the fan speed as follows: 1 pull- High, 2 pulls- Medium, 3 pulls- Low, and 4 pulls- Off.

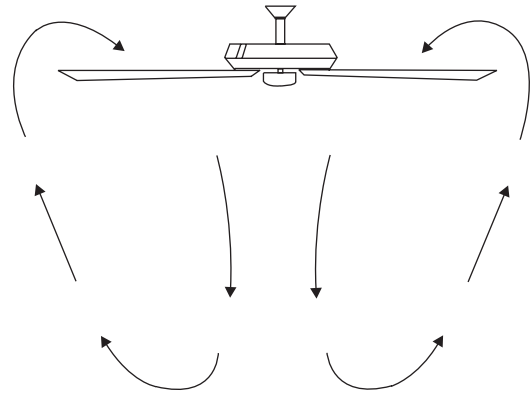
Speed settings for warm or cool weather depend on factors such as the room size, ceiling height, number of fans, and so on.

2. Light kit pull chain- it controls the light kit in "ON" or "OFF".

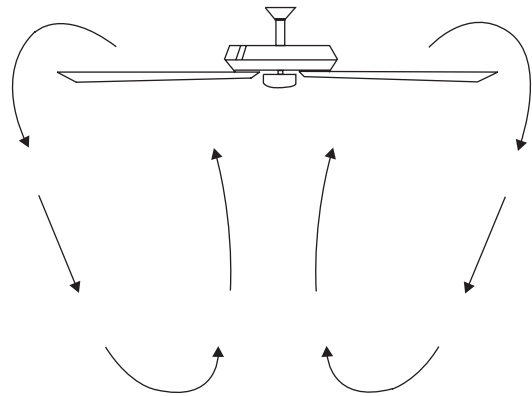
The slide switch controls directions: forward (switch left ) or reverse (switch right ).

Warm weather - (Counter-Clockwise direction) A downward air flow creates a cooling effect.(Fig. 18) This allows you to set your air conditioner on a higher setting without affecting your comfort.

Cool weather- (Clockwise direction) An upward airflow moves warm air off the ceiling area. (Fig. 19) This allows you to set your heating unit on a lower setting without affecting your comfort.



**Figure 18**



**Figure 19**

## 12. TROUBLESHOOTING

### Problem

### Solution

- Fan will not start.
1. Check circuit fuses or breakers.
  2. Check line wire connections to the fan and switch wire connections in the switch housing.  
**CAUTION:** Make sure main power is off.
- Fan sounds noisy.
1. Make sure all motor housing screws are snug.
  2. Make sure the screws that attach the fan blade bracket to the motor hub are tight.
  3. Make sure wire nut connections are not rubbing against each other or the interior wall of the switch housing.  
**CAUTION:** Make sure main power is off.
  4. Allow a 24-hour "breaking-in" period. Most noise associated with a new fan disappear during this time.
  5. If using an optional light kit, make sure the screws securing the glassware are tight. Check that the light bulb is also secure.
  6. Some fan motors are sensitive to signals from solid-state variable speed controls. If you have installed this type of control, choose and install another type of control.
  7. Make sure the upper canopy is a short distance from the ceiling. It should not touch the ceiling.
- Fan wobble.
1. Check that all blade and blade arm screws are secure.
  2. Most fan wobbling problems are caused when blade levels are unequal. Check this level by selecting a point on the ceiling above the tip of one of the blades. Measure this distance. Rotate the fan until the next blade is positioned for measurement. Repeat for each blade. The distance deviation should be equal within 1/8".
  3. Use the enclosed Blade Balancing Kit if the blade wobble is still noticeable.
  4. If the blade wobble is still noticeable, interchanging two adjacent (side by side) blades can redistribute the weight and possibly result in smoother operation.
- WARNING:** TO REDUCE THE RISK OF PERSONAL INJURY, DO NOT BEND THE BLADE ARM WHILE INSTALLING, BALANCING THE BLADES, OR CLEANING THE FAN. DO NOT INSERT FOREIGN OBJECTS BETWEEN ROTATING FAN BLADES.