



166 662



Brookedale II 60 in Ceiling Fan Owner's Manual

Brookedale II
Ventilador de Techo de 1,52 m
Manual del Propietario



60” Brookedale II Ceiling Fan by Hampton Bay

Thank you for purchasing our ceiling fan. This product has been manufactured with the highest standards of safety and quality.

Date Purchased _____

Store Purchased _____

UL Model No. _____ 166-662

Serial No. _____

Vendor No. _____ 11289

UPC _____ 792145352914

Table of Contents

| | |
|--------------------------------------|----|
| Safety Rules | 1 |
| Unpacking Your Fan | 2 |
| Installing Your Fan | 3 |
| Installing the Light Kit. | 11 |
| Operating Your Transmitter | 13 |
| Care of Your Fan | 15 |
| Troubleshooting | 15 |
| Specifications | 16 |
| Warranty Information | 17 |

Safety Rules - Read and Save These Instructions

1. To reduce the risk of electric shock, insure electricity has been turned off at the circuit breaker or fuse box before beginning.
2. All wiring must be in accordance with the National Electrical Code “ANSI/NFPA 70-1999” and local electrical codes. Electrical installation should be performed by a qualified licensed electrician.
3. **WARNING:** To reduce the risk of electrical shock or fire, do not use this fan with any solid-state fan speed control device. It will permanently damage the electronic circuitry.
4. **CAUTION:** To reduce the risk of personal injury, use only the screws provided with the outlet box.
5. The outlet box and support structure must be securely mounted and capable of reliably supporting a minimum of 35 pounds, Use only UL Listed outlet boxes marked “**FOR FAN SUPPORT**”.
6. The fan must be mounted with a minimum of 7 feet clearance from the trailing edge of the blades to the floor.
7. Avoid placing objects in the path of the blades.
8. To avoid personal injury or damage to the fan and other items, be cautious when working around or cleaning the fan.
9. Do not use water or detergents when cleaning the fan or fan blades. A dry dust cloth or lightly dampened cloth will be suitable for most cleaning.
10. After making electrical connections, spliced conductors should be turned upward and pushed carefully up into outlet box. The wires should be spread apart with the grounded conductor and the equipment-grounding conductor on one side of the outlet box and ungrounded conductor on the other side of the outlet box.
11. All set screws must be checked and retightened where necessary before installation.

WARNING

TO REDUCE THE RISK OF PERSONAL INJURY, DO NOT BEND THE BLADE ARMS (ALSO REFERRED TO AS FLANGES), WHEN INSTALLING THE BRACKETS, BALANCING THE BLADES OR CLEANING THE FAN. DO NOT INSERT FOREIGN OBJECTS IN – BETWEEN ROTATING FAN BLADES.

WARNING

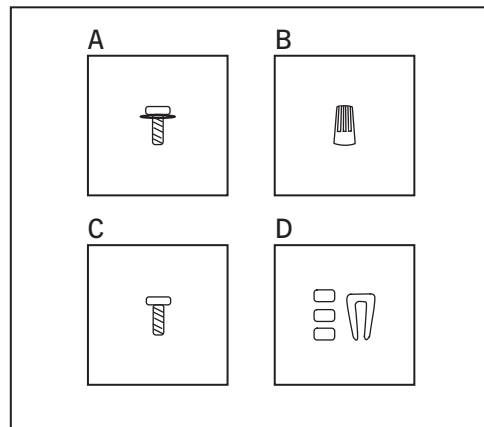
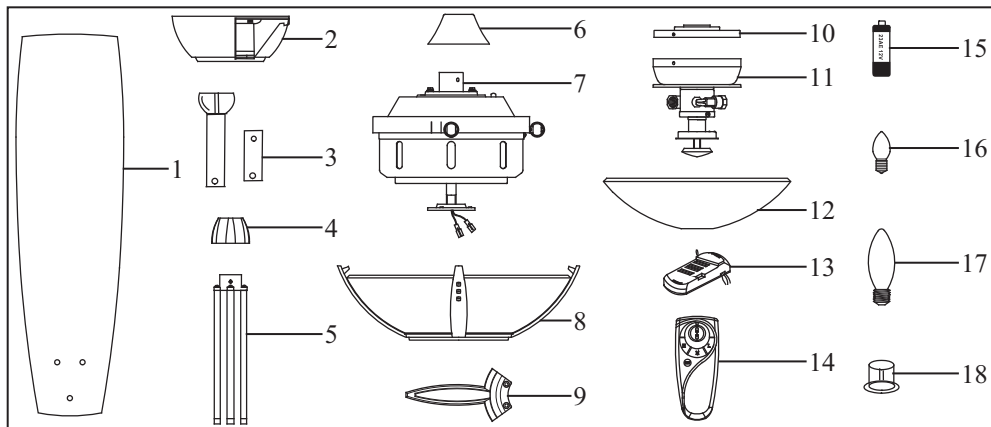
TO REDUCE THE RISK OF FIRE, ELECTRIC SHOCK OR PERSONAL INJURY, MOUNT FAN TO OUTLET BOX MARKED ACCEPTABLE FOR FAN SUPPORT WITH THE SCREWS PROVIDED WITH THE OUTLET BOX.

ATTENTION

FAN INCLUDES A 190W LIMITER TO COMPLY WITH THE DEPARTMENT OF ENERGY 2009 REGULATION. LAMPING THIS PRODUCT OVER 190W WILL CAUSE THIS FAN TO NOT LIGHT. PLEASE USE BULBS WITH A TOTAL WATTAGE UNDER THE 190W REGULATION.

Unpacking Your Fan

Unpack your fan and check the contents. You should have the following items:



1. Set of blades (5)
2. Canopy assembly
3. Ball/downrod assembly (1)
& extra downrod (1)
4. Scroll cover
5. Decorative scroll assembly
6. Coupling cover
7. Fan motor assembly
8. Glass housing
9. Blade arms (5)
10. Mounting plate
11. Light kit assembly
12. Glass shade
13. Receiver with 7 wire nuts
14. Transmitter+holder+2 mounting screws
+ 2 plastic plugs
15. 12V MN21/A23 battery
16. 15 Watt candelabra bulbs (6)
17. 40 Watt candelabra bulbs (3)
18. Extra plastic plug

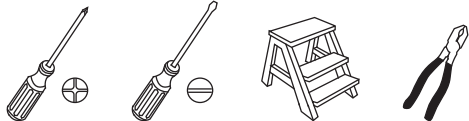
- A. Blade Attachment Hardware
(16 Screws with Fiber Washers)
- B. Electrical Hardware
(3 Plastic Wire Nuts)
- C. Decorative scroll hardware
(2 Set Screws)
- D. Balance Kit

WARNING
DO NOT INSTALL OR USE FAN IF ANY
PART IS DAMAGED OR MISSING.
CALL TOLL FREE 1-877-898-1881.

Installing Your Fan

Tools Required

Phillips screwdriver, straight slot screwdriver, step ladder and wire cutters.



Mounting Options

If there isn't an existing UL listed mounting box, then read the following instructions. Disconnect the power by removing fuses or turning off circuit breakers.

Secure the outlet box directly to the building structure. Use appropriate fasteners and building materials. The outlet box and its support must be able to fully support the moving weight of the fan (at least 35 lbs). Do not use plastic outlet boxes.

WARNING

TO REDUCE THE RISK OF FIRE, ELECTRIC SHOCK OR PERSONAL INJURY, MOUNT FAN ONLY TO AN OUTLET BOX MARKED ACCEPTABLE FOR FAN SUPPORT AND USE THE MOUNTING SCREWS PROVIDED WITH THE OUTLET BOX. OUTLET BOX COMMONLY USED FOR THE SUPPORT OF LIGHTING FIXTURE MAY NOT BE ACCEPTABLE FOR FAN SUPPORT AND MAY NEED TO BE REPLACED. CONSULT A QUALIFIED ELECTRICIAN IF IN DOUBT.

Figures 1~3 are examples of different ways to mount the outlet box.

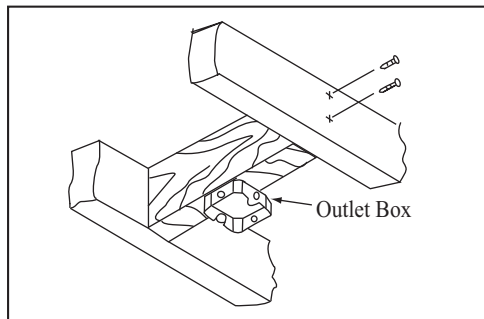


Figure 1

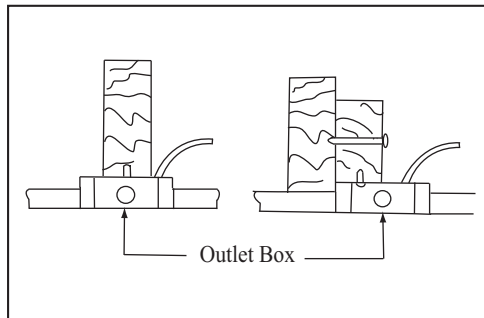


Figure 2

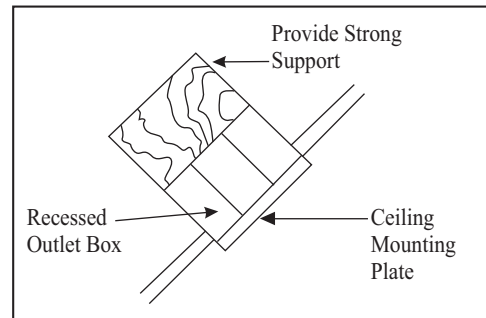


Figure 3

Note: You may need a longer downrod to maintain proper blade clearance when installing on a steep, sloped ceiling. The maximum angle allowable is 18°. If the canopy touches downrod, remove the decorative canopy bottom cover and turn the canopy 180° before attaching the canopy to the mounting plate.

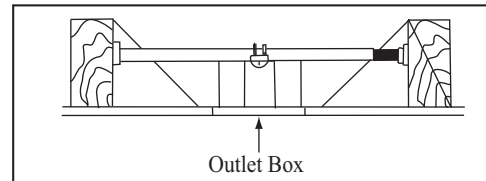


Figure 4

To hang your fan where there is an existing fixture but no ceiling joist, you may need an installation hanger bar as shown in Figure 4 (available at any Home Depot store).

Hanging the Fan

REMEMBER to turn off the power. Follow the steps below to hang your fan properly.

1. Remove the decorative canopy bottom cover from the canopy by turning the cover counter clockwise. (Figure 5)
2. Remove the mounting bracket from the canopy by loosening the two screws on the bottom of the mounting bracket a half turn from the screw head and turning the canopy counter clockwise. (Figure 5)
3. Remove the clevis pin, cotter pin and set screws from the top of the motor assembly. (Figure 6)
4. Route wires exiting from the top of the fan motor through the coupling cover, decorative scroll, scroll cover, canopy cover, canopy and then through the ball/ downrod. (Figure 6)
5. Align the holes at the bottom of the downrod with the holes in the coupling on top of the motor housing (Figure 6). Carefully insert the clevis pin through the holes in the collar and downrod. Be careful not to jam the clevis pin against the wiring inside the downrod. Insert the cotter pin through the hole near the end of the clevis pin until it snaps into its locked position, as noted in the circle inset of Fig. 6.

WARNING

FAILURE TO PROPERLY INSTALL COTTER PIN AS NOTED IN STEP 5 COULD RESULT IN FAN LOOSENING AND POSSIBLY FALLING.

6. Tighten two set screws at top of the fan motor collar firmly and evenly. (Fig. 5)

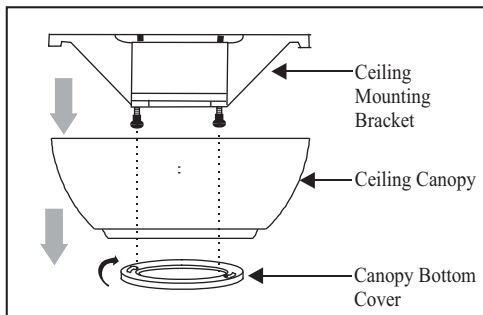


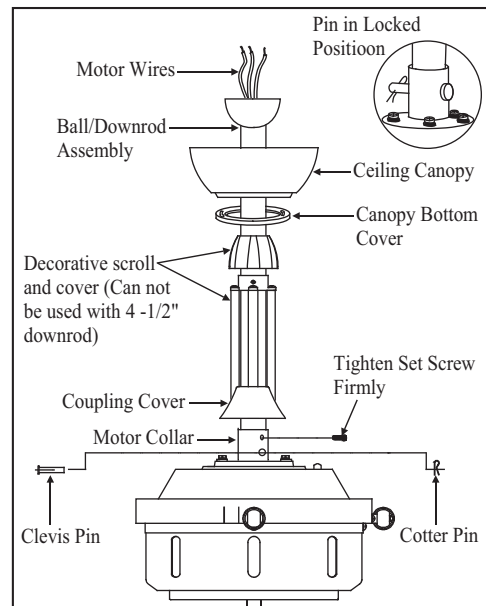
Figure 5

CHANGING THE DOWNROD

NOTE: Your fan comes with a 12" downrod attached to the hanging ball to use with the decorative scroll assembly (See Fig. 6). In addition, you have been provided with a 4-1/2" downrod to use on lower ceilings without decorative scroll assembly. (See Fig. 6A)

Installing the fan with the decorative scroll (with 12" downrod) (Recommend min. 9 ft. ceiling height).

Follow the Figure 6 and continue on section titled "Hanging the Fan" for installation.

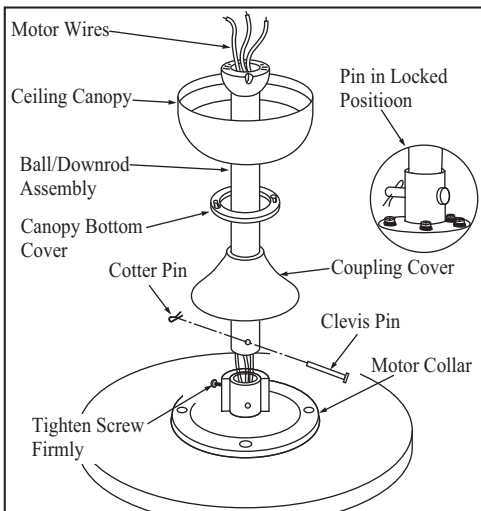


With 12" Downrod

Figure 6

Installing the fan without arrow style decorative downrod (with 4-1/2" downrod) (Recommend min. 8.25 ft ceiling height).

1. Remove the hanger ball from the 12" downrod by loosening the set screw at the top of the downrod which holds the hanger ball to the downrod.
2. Slide the hanger ball down the downrod and remove the support pin.
3. Reinstall the ball to the 4-1/2" downrod.
4. Remove the bolt, clevis pin and set screws from the motor collar.
5. Route wires exiting from the motor collar through the coupling cover, canopy cover, canopy and then through the ball/downrod (Fig. 6A).
6. Follow the steps 5 & 6 in section titled "Hanging the Fan" for installation.



With 4 1/2" Downrod

Figure 6A

Installing Fan to the Electrical Box

WARNING

TO REDUCE THE RISK OF FIRE, ELECTRIC SHOCK OR OTHER PERSONAL INJURY, MOUNT FAN ONLY TO AN OUTLET BOX OR SUPPORTING SYSTEM MARKED ACCEPTABLE FOR FAN SUPPORT AND USE THE MOUNTING SCREWS PROVIDED WITH THE OUTLET BOX.

1. Pass the 120-volt supply wires through the center hole in the ceiling mounting bracket as shown in Figure 7.
2. Install the ceiling mounting bracket to the outlet box; be sure to align the holes in the hanger bracket with the post holes in the outlet box and secure with screws and washers provided by the outlet box (Fig. 7).
3. Security tighten the two mounting screws.
4. Seat the hanger ball in the mounting bracket socket. Make sure the tab on the mounting bracket socket is properly seated in the groove in the hanger ball (Figure 8).

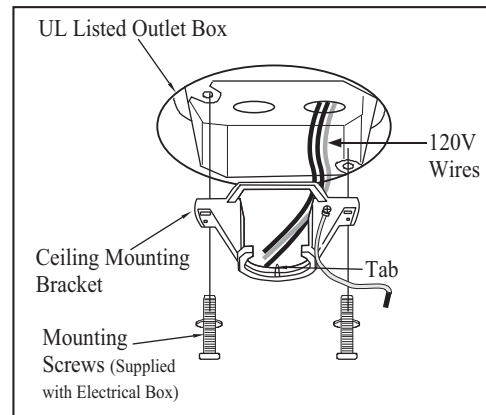


Figure 7

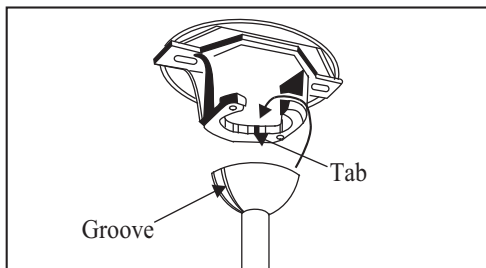


Figure 8

WARNING

THE TAB IN THE RING MUST REST IN THE GROOVE OF THE HANGER BALL AS FIGURE 8. FAILURE TO PROPERLY SEAT THE TAB IN THE GROOVE COULD CAUSE DAMAGE TO WIRING.

Making the Electrical Connections

WARNING

TO AVOID POSSIBLE ELECTRICAL SHOCK, BE SURE ELECTRICITY IS TURNED OFF AT THE MAIN FUSE BOX BEFORE WIRING.

If you feel you do not have enough electrical wiring knowledge or experience, have your fan installed by a licensed electrician.

This remote control unit is equipped with 16 code combinations to prevent possible interference from or to other remote units. The frequency switches on your receiver and transmitter have been preset at the factory. Please recheck to make sure the switches on the transmitter and the receiver are set to the same position, any combination of settings will operate the fan as long as the transmitter and receiver are set to the same position (Figure 9).

1. Insert the receiver into the mounting bracket with the flat side of the receiver facing the ceiling as Figure 10.

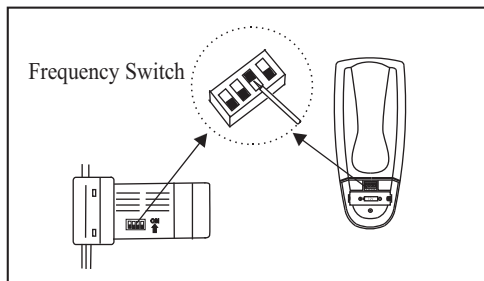


Figure 9

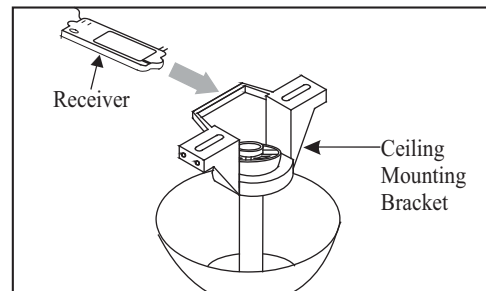


Figure 10

2. (Figure 11) Motor to receiver electrical connections: Connect the black wire from the fan to black wire marked "TO MOTOR L". Connect the white wire from the fan to the white wire marked "TO MOTOR N" from the receiver. Connect the blue wire from the fan to the blue wire marked "For bottom Light" from the receiver. Connect the orange wire from fan to the orange wire from receiver marked "For Upper Light". Secure wire connections with the plastic wire nuts provided.
3. (Figure 11) Receiver to House Supply Wires Electrical Connections: Connect the black (hot) wire from the ceiling to the black wire marked "AC in L" from the receiver. Connect the white (neutral) wire from the ceiling to the white wire marked "AC in N" from the Receiver. Secure the wire connections with the plastic wire nuts provided.

4. (Figure 11) If your outlet box has a ground wire (green or bare copper) connect it to the fan ground wires; otherwise connect the hanging bracket ground wire to the mounting bracket. Secure the wire connection with a plastic nut provided. After connecting the wires spread them apart so that the green and white wires are on one side of the outlet box and black and blue wires are on the other side. Carefully tuck the wire connections up into the outlet box.

NOTE

FAN MUST BE INSTALLED AT A MAXIMUM DISTANCE OF 20 FEET FROM THE TRANSMITTING UNIT FOR PROPER SIGNAL TRANSMISSION BETWEEN THE TRANSMITTING UNIT AND THE FAN'S RECEIVING UNIT.

CAUTION

DO NOT USE WITH WALL LIGHT DIMMER SWITCH.

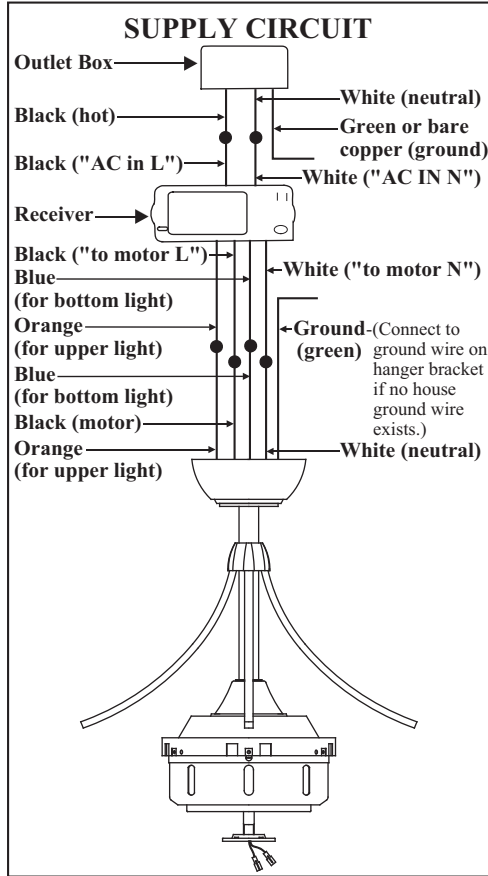


Figure 11

WARNING

CHECK TO SEE THAT ALL CONNECTIONS ARE TIGHT, INCLUDING GROUND, AND THAT NO BARE WIRE IS VISIBLE AT THE WIRE NUTS, EXCEPT FOR THE GROUND WIRE.

WARNING

ELECTRICAL DIAGRAMS ARE FOR REFERENCE ONLY. OPTIONAL USE OF ANY LIGHT KIT SHELL BE UL LISTED AND MARKED SUITABLE FOR USE WITH THIS FAN.

Finishing the Fan Installation

1. Tuck connections neatly into ceiling outlet box.
2. Slide the canopy up to ceiling and over the 2 screws on the hanger bracket. Rotate canopy clockwise. Next, while holding the canopy with one hand, slide the canopy cover over the screws and rotate clockwise until tight. **Note:** adjust the canopy screws as necessary until the canopy and canopy cover are snug. (Fig. 12)

WARNING

MAKE SURE THE TAB ON THE HANGING BRACKET PROPERLY SITS IN THE GROOVE IN THE HANGER BALL BEFORE ATTACHING THE CANOPY TO THE BRACKET BY TURNING THE HOUSING UNTIL IT DROPS INTO PLACE.

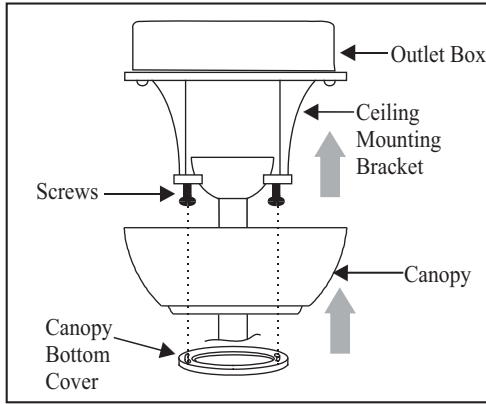


Figure 12

Installing the Glass Housing

1. Remove 1 of the 4 screws from the bottom of the motor housing and loosen the other 3 screws. (Do not remove)
2. Raise and hold the glass housing close to the motor, place the key holes on the glass housing over the 3 screws previously loosened from the motor housing, turn glass housing until it locks in place at the narrow section of the key holes. Secure by tightening the 3 screws previously loosened and the one previously removed. (Fig. 13)
3. Remove the screw located on the top of glass housing, place the decorative scroll arm on to the top of the glass housing and secure with the screw removed previously. Repeat for other decorative scroll arms. (Fig. 13)
4. Tighten the 4 screws on the scroll ring, be sure to secure the decorative scroll arm to scroll ring tightly. Tighten two set screws on scroll ring firmly. (Fig. 13)
5. Install the 6 x 15W bulbs (provided) into the sockets of the bulb holder assembly. (Fig. 13)

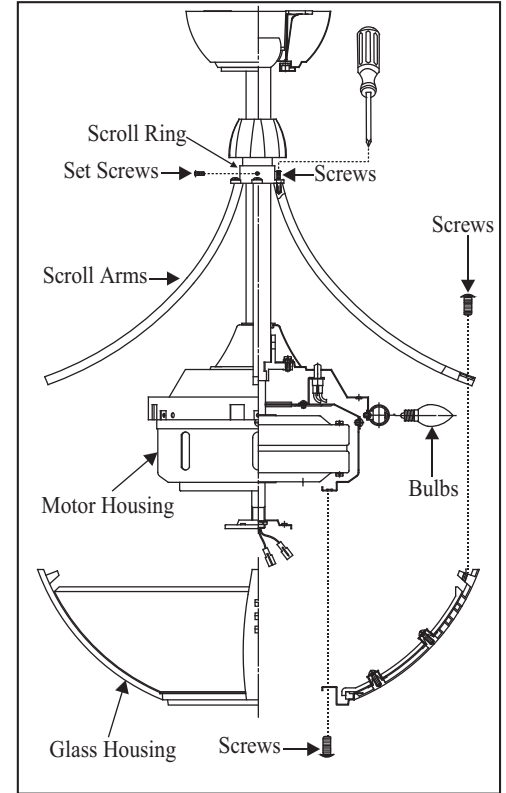


Figure 13

Attaching the Fan Blades

1. Attach blades to blade arms using three screws with fiber washers (Fig. 14). Start a screw into the blade arm, do not tighten. Repeat for the 2 remaining screws and washers.
2. Tighten each screw securely starting with the center screw. Make sure the blade is straight. Repeat steps for the remaining blades.
3. Fasten the blade assemblies to the motor housing by lining up the slots of the blade arms with the tabs on the motor housing, then tighten the two screws and washers already installed in the blade arms (Fig. 15).

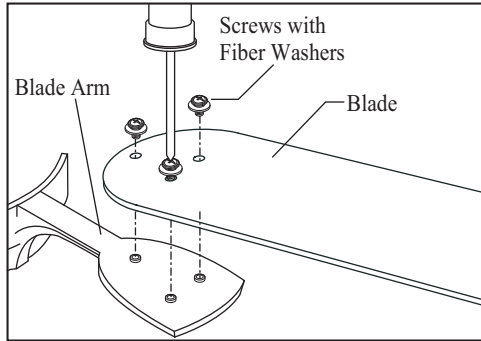


Figure 14

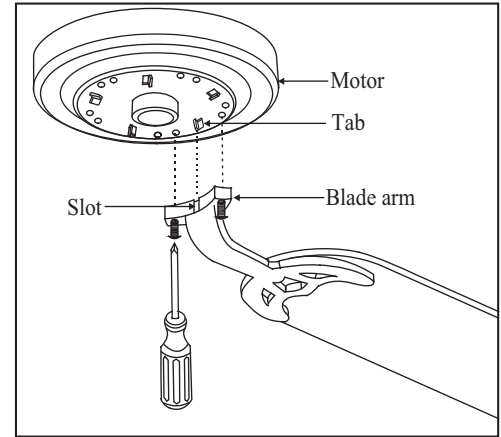


Figure 15

WARNING

TO REDUCE THE RISK OF PERSONAL INJURY, DO NOT BEND THE BLADE ARMS WHILE INSTALLING, BALANCING THE BLADES, OR CLEANING THE FAN. DO NOT INSERT FOREIGN OBJECTS BETWEEN ROTATING FAN BLADES.

Blade Balancing

The following procedure should correct most fan wobble. Check after each step.

1. Check that all blade and blade bracket screws are secure.
2. Most fan wobble problems are caused when blade levels are unequal. Check this level by selecting a point on the ceiling above the tip of one of the blades. Measure from a point on the center of each blade to the point on the ceiling. Measure this distance as shown in Figure 16. Rotate the fan until the next blade is positioned for measurement. Repeat for each blade. Measurements deviation should be within $1/8"$. Run the fan for 10 Minutes.
3. Use the enclosed Blade Balancing Kit if the blade wobble is still noticeable.

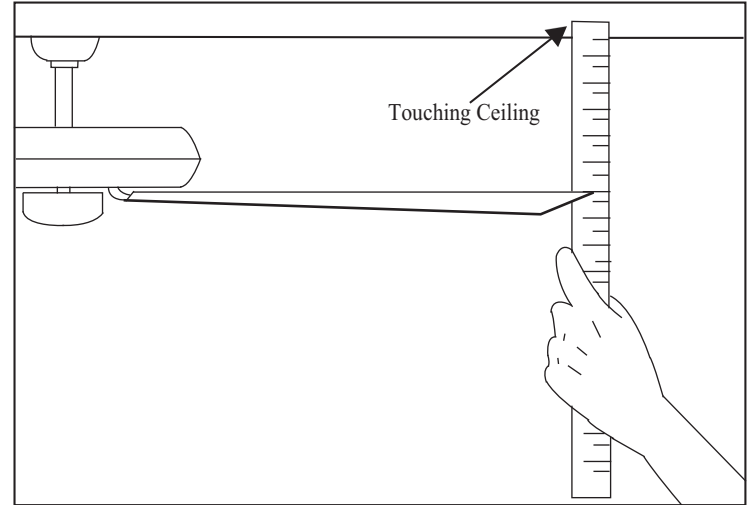


Figure 16

Attaching the Mounting Plate

1. Remove the 1 of 3 screws from the mounting ring and loosen the other 2 screws. (Do not remove)
2. Place the key holes on the mounting plate over the 2 screws previously loosened from the mounting ring, turn mounting plate until it locks in place at the narrow section of the key holes. Secure by tightening the 2 screws previously loosened and the one previously removed. (Fig. 17)

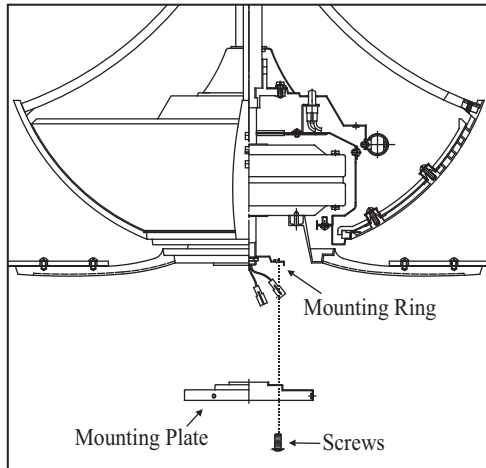


Figure 17

Installing the Light Kit

NOTE

BEFORE STARTING INSTALLATION, DISCONNECT THE POWER BY TURNING OFF THE CIRCUIT BREAKER OR REMOVING THE FUSE AT FUSE BOX. TURNING POWER OFF USING THE FAN SWITCH IS NOT SUFFICIENT TO PREVENT ELECTRIC SHOCK.

1. Remove the 1 of 3 screws from the mounting plate and loosen the other 2 screws. (Do not remove)
2. Raise and hold the light kit close to the mounting plate and proceed to do the wire connections. Connect the white wire connectors from the light plate and fan, follow the same procedure with the black wire connectors. (Fig. 18)
3. Carefully push all wires back into the mounting plate, place the key holes on the light kit over the 2 screws previously loosened from the mounting plate, turn light kit until it locks in place at the narrow section of the key holes. Secure by tightening the 2 screws previously loosened and the one previously removed. (Fig. 18)
4. Install 3 x 40W candelabra bulbs (included). (Fig. 19)
5. Remove the decorative nut from the light kit. Place the glass shade over the light kit stem, secure with the decorative nut. Do not overtighten. (Fig. 19)
6. Restore and your light kit is ready for operation.

NOTE

LIGHT BULBS HAVE NO WARRANTY; CAN BE PURCHASED AT ANY HOME DEPOT STORE.

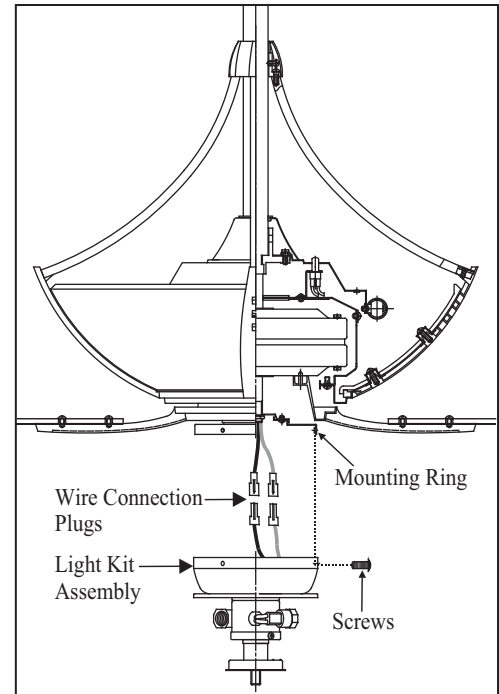


Figure 18

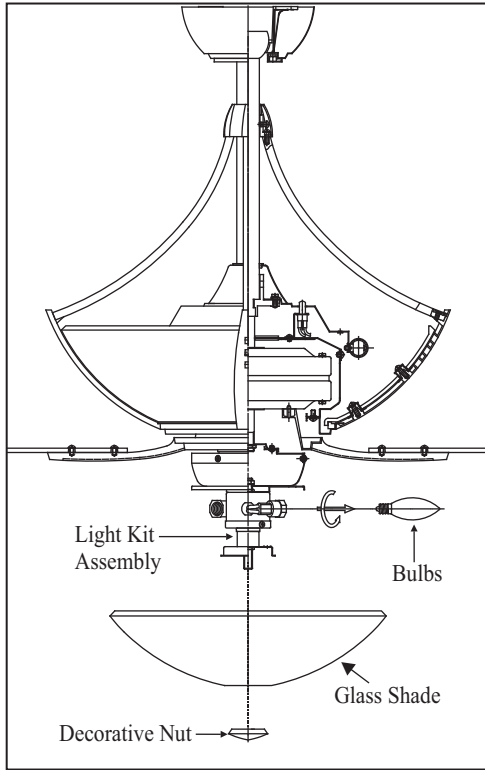


Figure 19

Fan without Light Kit (Optional)

1. Disassemble the switch housing from the light kit , you can keep the light kit for future use.
2. Attach the plastic plug to the switch housing. (Fig. 20)
3. Install the switch housing to the mounting plate with screws provided. (Fig. 20)

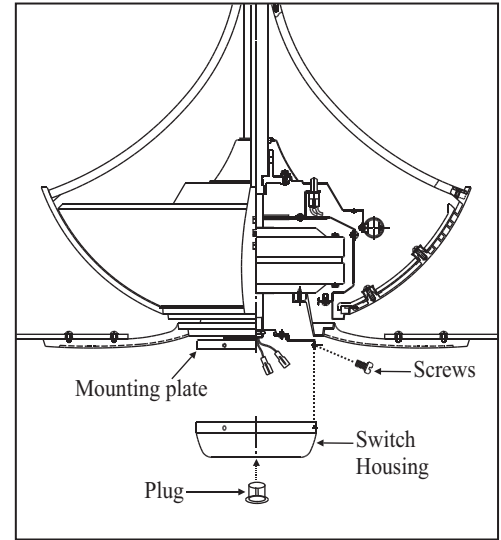


Figure 20

Operating Your Transmitter

Installing the Battery:

Install 12V MN21/A23 battery (included), to prevent damage to transmitter, remove the battery if not used for long periods (Figure 21).

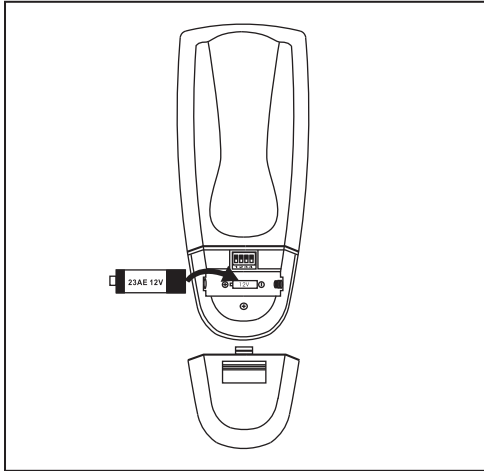


Figure 21

Restore power to the ceiling fan and test for proper operation.

1. "HI, MED, LOW" buttons:
These three buttons are used to set the fan speed as follows:
LOW=Low speed,
MED= Medium speed
HI=High speed
2. "OFF" button:
This button turns the fan off.
3. The "💡" button turns the upper light ON or OFF and also controls the brightness setting. The "💡" button turns the bottom light ON or OFF and also controls the brightness setting. Press and release the button to turn the light ON or OFF. Press and hold the button to set the desired brightness. The light button has an autoresume, it will stay at the same brightness as the last time it was turned off.

Speed settings for warm or cool weather depend on factors such as the room size, ceiling height, number of fans, etc.

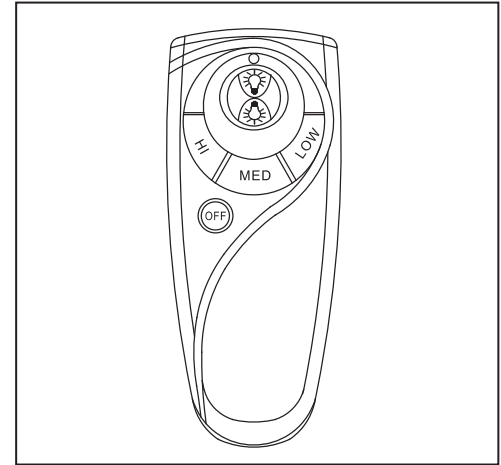


Figure 22

NOTE

DO NOT OPERATE REVERSING SWITCH WHILE FAN BLADES ARE IN MOTION. FAN MUST BE TURNED OFF AND BLADES STOPPED BEFORE REVERSING BLADE DIRECTION.

The Reverse switch is located on the switch housing. Slide the switch to the Left for warm weather operation. Slide the switch to the Right for cool weather operation.

Warm weather - (Counter-Clockwise direction) A downward air flow creates a cooling effect.(Fig. 23) This allows you to set your air conditioner on a higher setting without affecting your comfort.

Cool weather - (Clockwise direction) An upward airflow moves warm air off the ceiling area. (Fig. 24) This allows you to set your heating unit on a lower setting without affecting your comfort.

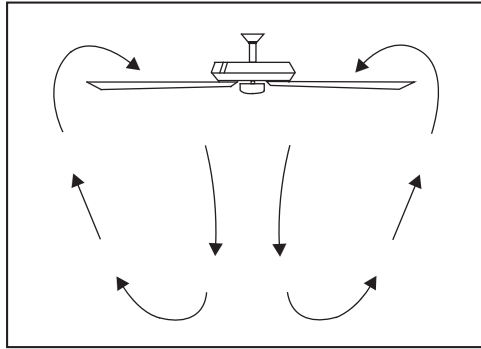


Figure 23

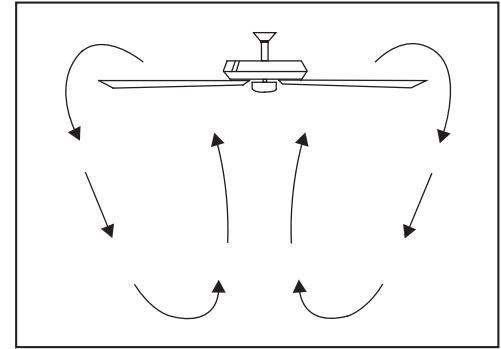


Figure 24

Care of Your Fan Troubleshooting

Here are some suggestions to help you maintain your fan.

1. Because of the fan's natural movement, some connections may become loose. Check the support connections, brackets, and blade attachments twice a year. Make sure they are secure. (It is not necessary to remove fan from ceiling.)
2. Clean your fan periodically to help maintain its new appearance over the years. Do not use water when cleaning. Use only a soft brush or lint-free cloth to avoid scratching the finish. The plating is sealed with a lacquer to minimize discoloration or tarnishing. Do not use water when cleaning. This could damage the motor, or the wood, or possibly cause an electrical shock.
3. You can apply a light coat of furniture polish to the wood blades for additional protection and enhanced beauty. Cover small scratches with a light application of shoe polish.
4. There is no need to oil your fan. The motor has permanently lubricated sealed ball bearings.

PROBLEM SOLUTION

Fan will not start

1. Check main and branch circuit fuses or breakers.
2. Check line wire connections to the fan and switch wire connections in the switch housing.
3. Check to make sure the dip switches from the transmitter and receiver are set to the same frequency.

Fan sounds noisy

1. Make sure all motor housing screws are snug.
2. Make sure the screws that attach the fan blade bracket to the motor hub is tight.
3. Make sure wire nut connections are not rattling against each other or the interior wall of the switch housing.
4. Allow a 24-hour "breaking-in" period. Most noises associated with a new fan disappear during this time.
5. If using an optional light kit, make sure the screws securing the glassware are tight. Check that the light bulb is also secure.
6. Make sure the upper canopy is a short distance from the ceiling. It should not touch the ceiling.
7. Make sure your ceiling box is secure and rubber isolator pads are used between mounting bracket and outlet box.

Remote control

1. Do not connect the fan with a wall mounted variable speed control(s).
2. Make sure the dip switches are set correctly.

WARNING

MAKE SURE THE POWER IS OFF AT THE ELECTRICAL PANEL BOX BEFORE YOU ATTEMPT ANY REPAIRS. REFER TO THE SECTION, "MAKING ELECTRICAL CONNECTIONS".

Specifications

| FAN SIZE | SPEED | VOLTS | AMPS | WATTS | RPM | CFM | N.W. | G.W. | C.F. |
|----------|-------|-------|------|-------|-----|------|------------------------|------------------------|------|
| 60" | LOW | 120 | 0.47 | 24 | 63 | 2874 | 15.8 kgs (34.8 lbs) | 17.5 kgs (38.6 lbs) | 4.3' |
| | MED. | | 0.64 | 53 | 105 | 4641 | | | |
| | HIGH | | 0.69 | 81 | 133 | 6114 | | | |

These are approximate measures. They do not include Amps and Wattage used by the light kit .

Lifetime Limited Warranty

(lifetime warranty on motor)

The Hampton Bay warrants the fan motor to be free from defects in workmanship and material present at time of shipment from the factory for a period of lifetime after the date of purchase by the original purchaser. Hampton Bay also warrants that all other fan parts, excluding any glass or acrylic blades, to be free from defects in workmanship and material at the time of shipment from the factory for a period of one year after the date of purchase by the original purchaser. We agree to correct such defects without charge or at our option replace with a comparable or superior model if the product is returned to Hampton Bay. To obtain warranty service, you must present a copy of the receipt as proof of purchase. All costs of removing and reinstalling the product are your responsibility. Damage to any part such as by accident or misuse or improper installation or by affixing any accessories, is not covered by this warranty. Because of varying climatic conditions this warranty does not cover any changes in brass finish, including rusting, pitting, corroding, tarnishing or peeling. Brass finishes of this type give their longest useful life when protected from varying weather conditions. A certain amount of “wobble” is normal and should not be considered a defect. Servicing performed by unauthorized persons shall render the warranty invalid. There is no other express warranty. Hampton Bay hereby disclaims any and all warranties, including but not limited to. Those of merchantability and fitness for a particular purpose to the extent permitted by law. The duration of any implied warranty which cannot be disclaimed is limited to the time period as specified in the express warranty. Some states do not allow limitation on how long an implied warranty lasts, so the above limitation may not apply to you. The retailer shall not be liable for incidental, consequential, or special damages arising out of or in connection with product use or performance except as may otherwise be accorded by law. Some states do not allow the exclusion of incidental or consequential damages, so the above exclusion or limitation may not apply to you. This warranty gives specific legal rights, and you may also have other rights which vary from state to state. This warranty supersedes all prior warranties. Shipping costs for any return of product as part of a claim on the warranty must be paid by the customer.

You must present a copy of the original purchase receipt to obtain warranty service.

Ceiling Fan Parts & Service Department
16040 North 59th Avenue
Glendale, AZ 85306-2350

Attach receipt here for easy location