



325 475



Beverley II 52 in Ceiling Fan Owner's Manual

**Beverley II
Ventilador de Techo de 1,32 m
Manual del Propietario**





Congratulations on your purchase of a Hampton Bay ceiling fan. Your new fan will be a beautiful addition to your home, and will keep you comfortable throughout the year.

The Hampton Bay Fan Company offers a wide variety of ceiling fans. We offer combinations of wood and brass finishes, solid designer colors, and our unique glass and crystal designs.

A large selection of light fixtures and light kits is also available. Ask your dealer about other accessories that will allow you to further customize your fan.

We're certain that your Hampton Bay fan will provide you with many years of comfort, energy savings and satisfaction. To ensure your personal safety and to maximize the performance of your fan, please read this manual thoroughly.

Beverley II by Hampton Bay®

52” BeverleyII

Ceiling Fan by Hampton Bay

Thank you for purchasing our ceiling fan. This product has been manufactured with the highest standards of safety and quality.

Date Purchased _____

Store Purchased _____

Model No. _____ 325-475

Serial No. _____

Vendor No. _____ 219032

UPC _____ 792145356097

Table of Contents

Safety Rules	1
Unpacking Your Fan	2
Installing Your Fan	3
Installing the Light Kit.	10
Operating Your Fan	12
Care of Your Fan	13
Troubleshooting	13
Specifications	14
Warranty Information	15

Safety Rules - Read and Save These Instructions

1. To reduce the risk of electric shock, insure electricity has been turned off at the circuit breaker or fuse box before beginning.
2. All wiring must be in accordance with the National Electrical Code “ANSI/NFPA 70-1999” and local electrical codes. Electrical installation should be performed by a qualified licensed electrician.
3. **WARNING:** To reduce the risk of electrical shock or fire, do not use this fan with any solid-state fan speed control device. It will permanently damage the electronic circuitry.
4. **CAUTION:** To reduce the risk of personal injury, use only the screws provided with the outlet box.
5. The outlet box and support structure must be securely mounted and capable of reliably supporting a minimum of 35 pounds. Use only UL Listed outlet boxes marked “**FOR FAN SUPPORT**”.
6. The fan must be mounted with a minimum of 7 feet clearance from the trailing edge of the blades to the floor.
7. Avoid placing objects in path of the blades.
8. To avoid personal injury or damage to the fan and other items, be cautious when working around or cleaning the fan.
9. Do not use water or detergents when cleaning the fan or fan blades. A dry dust cloth or lightly dampened cloth will be suitable for most cleaning.
10. After making electrical connections, spliced conductors should be turned upward and pushed carefully up into outlet box. The wires should be spread apart with the grounded conductor and the equipment-grounding conductor on one side of the outlet box and ungrounded conductor on the other side of the outlet box.
11. All set screws must be checked and retightened where necessary before installation.

WARNING

TO REDUCE THE RISK OF PERSONAL INJURY, DO NOT BEND THE BLADE ARMS (ALSO REFERRED TO AS FLANGES), WHEN INSTALLING THE BRACKETS, BALANCING THE BLADES OR CLEANING THE FAN. DO NOT INSERT FOREIGN OBJECTS IN BETWEEN ROTATING FAN BLADES.

WARNING

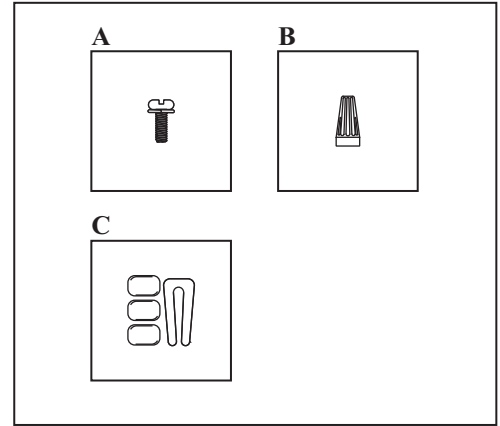
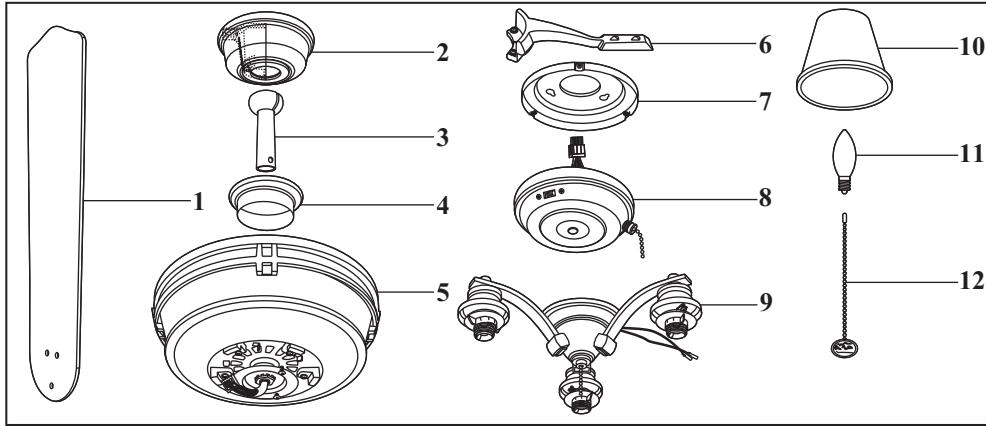
TO REDUCE THE RISK OF FIRE, ELECTRIC SHOCK OR PERSONAL INJURY, MOUNT FAN TO OUTLET BOX MARKED ACCEPTABLE FOR FAN SUPPORT WITH THE SCREWS PROVIDED WITH THE OUTLET BOX.

ATTENTION

FAN INCLUDES A 190W LIMITER TO COMPLY WITH THE DEPARTMENT OF ENERGY 2009 REGULATION. LAMPING THIS PRODUCT OVER 190W WILL CAUSE THIS FAN TO NOT LIGHT. PLEASE USE BULBS WITH A TOTAL WATTAGE UNDER THE 190W REGULATION.

Unpacking Your Fan

Unpack your fan and check the contents. You should have the following items:



- 1. Set of blades (5)
- 2. Canopy assembly
- 3. Ball/downrod assembly
- 4. Coupling cover
- 5. Fan motor assembly
- 6. Set of blade arms (5)
- 7. Mounting plate
- 8. Switch housing
- 9. Light kit
- 10. Glass shades (3)
- 11. 60 Watt candelabra bulbs (3)
- 12. Pull chains and fobs (2)

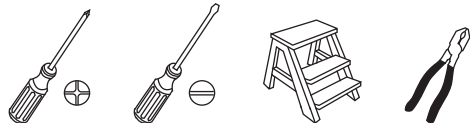
- A. Blade Attachment Hardware
(16 Screws with Fiber Washers)
- B. Electrical Hardware
(3 Plastic Wire Nuts)
- C. Balancing Kit

WARNING
DO NOT INSTALL OR USE FAN IF ANY
PART IS DAMAGED OR MISSING.
CALL TOLL FREE 1-877-902-5588.

Installing Your Fan

Tools Required

Phillips screwdriver, straight slot screwdriver, step ladder and wire cutters.



Mounting Options

If there isn't an existing UL listed mounting box, then read the following instructions. Disconnect the power by removing fuses or turning off circuit breakers.

Secure the outlet box directly to the building structure. Use appropriate fasteners and building materials. The outlet box and its support must be able to fully support the moving weight of the fan (at least 35 lbs). Do not use plastic outlet boxes.

WARNING

TO REDUCE THE RISK OF FIRE, ELECTRIC SHOCK OR PERSONAL INJURY, MOUNT FAN ONLY TO AN OULET BOX MARKED ACCEPTABLE FOR FAN SUPPORT AND USE THE MOUNTING SCREWS PROVIDED WITH THE OULET BOX. OULET BOX COMMONLY USED FOR THE SUPPORT OF LIGHTING FIXTURE MAY NOT BE ACCEPTABLE FOR FAN SUPPORT AND MAY NEED TO BE REPLACED. CONSULT A QUALIFIED ELECTRICIAN IF IN DOUBT.

Figures 1~3 are examples of different ways to mount the outlet box.

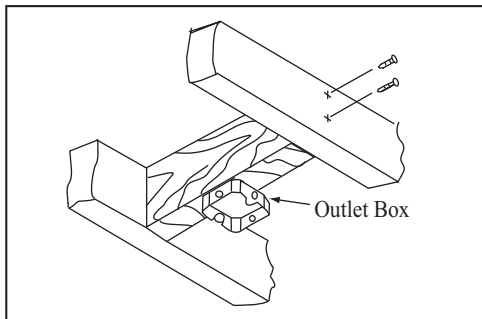


Figure 1

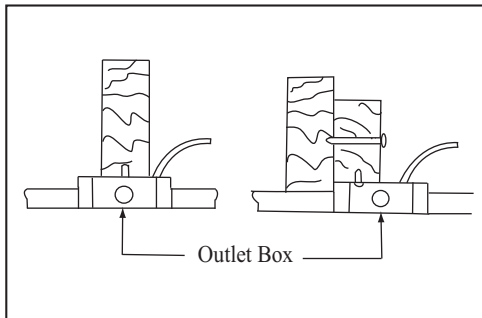


Figure 2

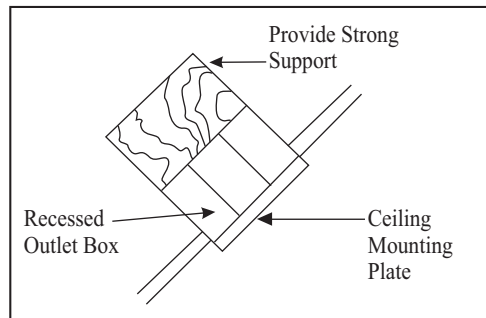


Figure 3

Note: You may need a longer downrod to maintain proper blade clearance when installing on a steep, sloped ceiling. The maximum angle allowable is 17°. If the canopy touches downrod, remove the decorative canopy bottom cover and turn the canopy 180° before attaching the canopy to the mounting plate.

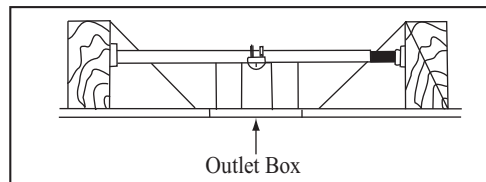


Figure 4

To hang your fan where there is an existing fixture but no ceiling joist, you may need an installation hanger bar as shown in Figure 4 (available at any Home Depot store).

Hanging the Fan

REMEMBER to turn off the power. Follow the steps below to hang your fan properly.

1. Remove the decorative canopy bottom cover from the canopy by turning the cover counter clockwise. (Figure 5)
2. Remove the mounting bracket from the canopy by removing the 1 of 2 screws from the bottom of the mounting bracket and loosening the other one a half turn from the screw head. Next, turn the canopy counter clockwise to removing the mounting bracket from the canopy. (Figure 5)
3. Remove the clevis pin, cotter pin and set screws from the top of the motor assembly. (Figure 6)

NOTE: If a longer downrod is needed, take out the screw located in the hanger ball, lower the hanger ball and remove the pin, remove all 3 pieces from the downrod and assemble them onto the new longer downrod before proceeding step 4. (The longer downrod is available at any Home Depot store)

4. Route wires exiting from the top of the fan motor through the coupling cover, canopy cover, canopy and then through the ball/downrod. (Figure 6)

5. Align the holes at the bottom of the downrod with the holes in the coupling on top of the motor housing (Figure 6). Carefully insert the clevis pin through the holes in the collar and downrod. Be careful not to jam the clevis pin against the wiring inside the downrod. Insert the cotter pin through the hole near the end of the clevis pin until it snaps into its locked position, as noted in the circle inset of Fig. 6.

WARNING

FAILURE TO PROPERLY INSTALL COTTER PIN AS NOTED IN STEP 5 COULD RESULT IN FAN LOOSENING AND POSSIBLY FALLING.

6. Tighten two set screws at top of the fan motor collar firmly and evenly. (Fig. 6)

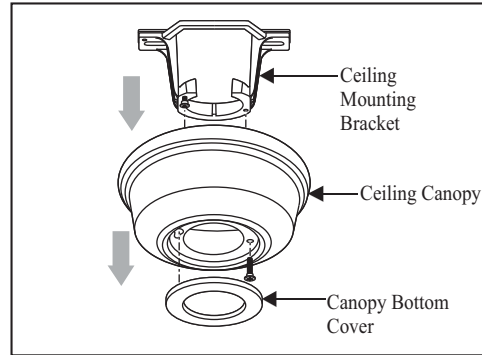


Figure 5

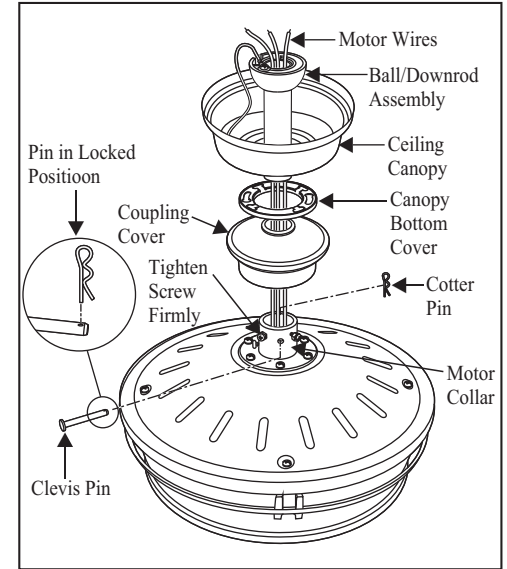


Figure 6

Installing Fan to the Electrical Box

WARNING

TO REDUCE THE RISK OF FIRE, ELECTRIC SHOCK OR OTHER PERSONAL INJURY, MOUNT FAN ONLY TO AN OUTLET BOX OR SUPPORTING SYSTEM MARKED ACCEPTABLE FOR FAN SUPPORT AND USE THE MOUNTING SCREWS PROVIDED WITH THE OUTLET BOX.

1. Pass the 120-volt supply wires through the center hole in the ceiling mounting bracket as shown in Figure 7.
2. Install the ceiling mounting bracket on the outlet box with the screws and washers provided with your outlet box (Figure 7).
3. Security tighten the two mounting screws.
4. Carefully lift the fan assembly up to the ceiling mounting bracket and seat the hanger ball in the mounting bracket socket. Make sure the tab on the mounting bracket socket is properly seated in the groove in the hanger ball (Figure 8). This will help to balance the ceiling fan.

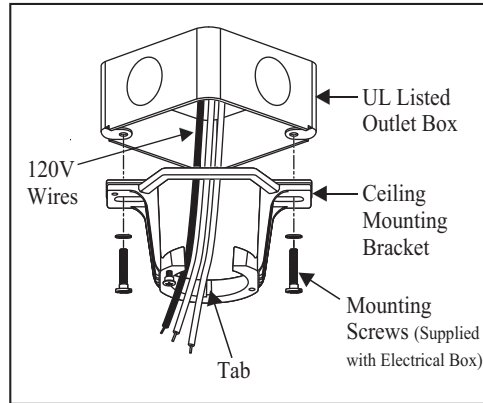


Figure 7

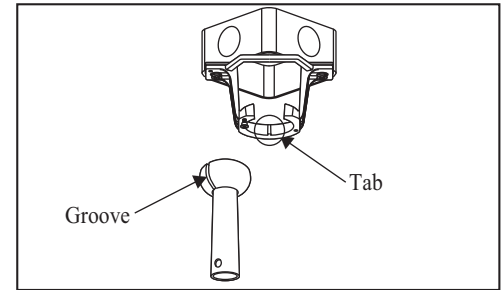


Figure 8

WARNING

THE TAB IN THE RING MUST REST IN THE GROOVE OF THE HANGER BALL AS FIGURE 8. FAILURE TO PROPERLY SEAT THE TAB IN THE GROOVE COULD CAUSE DAMAGE TO WIRING.

Making the Electrical Connections

REMEMBER to disconnect the power.

If you feel you do not have enough electrical wiring knowledge or experience, have your fan installed by a licensed electrician.

Follow the steps below to connect the fan to your household wiring. Use the wire nuts supplied with your fan. Secure the wire nuts with electrical tape. Make sure there are no loose strands or connections.

1. Connect the ground conductor of the 120V supply (this may be a bare wire or a wire with green colored insulation) to the green ground lead(s) of the fan. (Figure 9)
2. Connect the fan motor white wire to the supply white (neutral) wire using a wire nut. (Figure 9)
3. Connect the fan motor black wire to the supply black (hot) wire using a wire nut. (Figure 9)
4. Connect the blue wire for light kit to the black household supply wire.

5. Turn wire nut connections upward, spreading them apart so the green (ground) will be on one side of the outlet box and the white, black and blue wire will be on the other side, and push carefully up into the outlet box.

WARNING

CHECK TO SEE THAT ALL CONNECTIONS ARE TIGHT, INCLUDING GROUND, AND THAT NO BARE WIRE IS VISIBLE AT THE WIRE NUTS. EXCEPT FOR THE GROUND WIRE.

WARNING

ELECTRICAL DIAGRAMS ARE FOR REFERENCE ONLY. OPTIONAL USE OF ANY LIGHT KIT SHALL BE UL LISTED AND MARKED SUITABLE FOR USE WITH THIS FAN.

WARNING

TO REDUCE THE RISK OF FIRE OR ELECTRIC SHOCK. DO NOT USE THIS FAN WITH ANY SOLID-STATE SPEED CONTROL DEVICE.

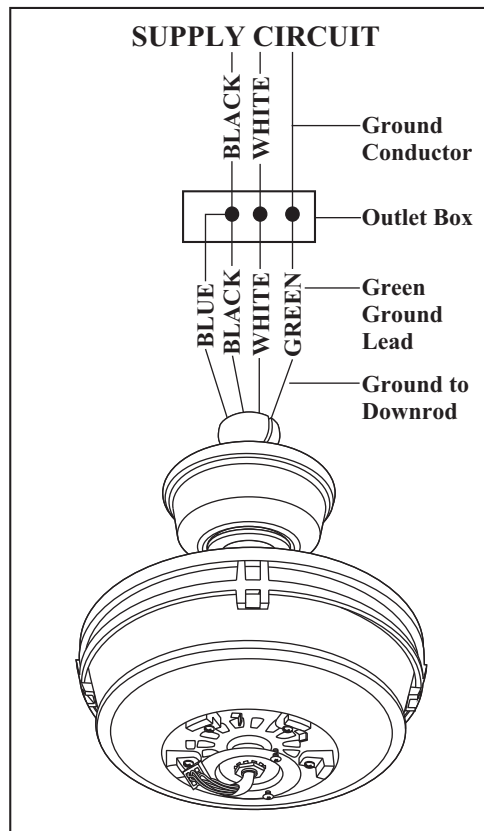


Figure 9

Finishing the Fan Installation

1. Tuck connections neatly into ceiling outlet box.
2. Slide the canopy up to mounting bracket and place the key hole on the canopy over the screw on the mounting bracket, turn canopy until it locks in place at the narrow section of the key holes. (Fig. 10)
3. Align the circular hole on canopy with the remaining hole on the mounting bracket, secure by tightening the two set screws. Note: Adjust the canopy screws as necessary until the canopy and canopy cover are snug.

WARNING

MAKE SURE THE TAB ON THE HANGER BRACKET PROPERLY SITS IN THE GROOVE IN THE HANGER BALL BEFORE ATTACHING THE CANOPY TO THE BRACKET BY TURNING THE HOUSING UNTIL IT DROPS INTO PLACE.

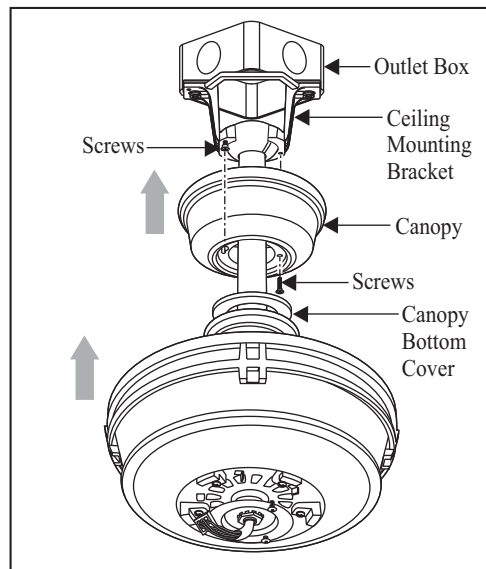


Figure 10

Attaching the Fan Blades

CAUTION

MOTOR IS SHIPPED WITH RUBBER PACKING MOUNTS TO PREVENT MOVEMENT DURING TRANSPORTATION. REMOVE 5 RUBBER PACKING MOUNTS FROM FAN MOTOR ASSEMBLY AND DISCARD PRIOR TO ATTACHING BLADE ARMS. (FIG. 11)

1. Attach blades to blade arm using the screws with fiber washers provided (Fig. 12). Start a screw into the blade arm, do not tighten. Repeat for the 2 remaining screws and washers.
2. Tighten each screw securely starting with the center screw. Make sure the blade is straight. Repeat steps for the remaining blades.
3. Fasten the blade assemblies to the motor housing by lining up the slots of the blade arms with the tabs on the motor housing, then tighten the two screws and washers already installed in the blade arms (Figure 13).

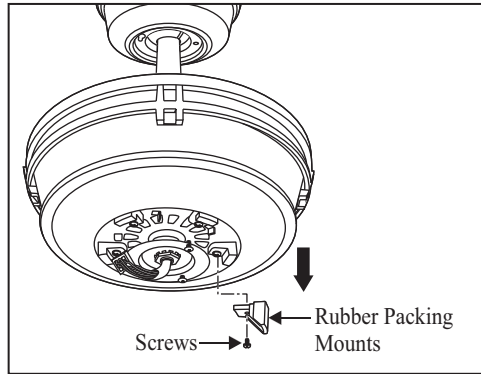


Figure 11

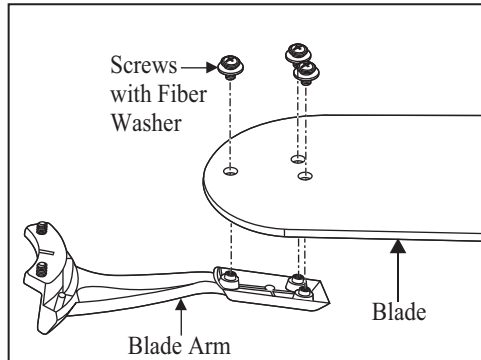


Figure 12

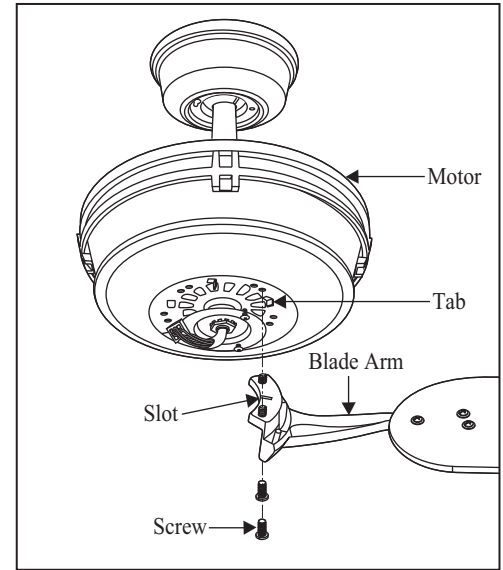


Figure 13

WARNING

TO REDUCE THE RISK OF PERSONAL INJURY, DO NOT BEND THE BLADE ARMS WHILE INSTALLING, BALANCING THE BLADES, OR CLEANING THE FAN. DO NOT INSERT FOREIGN OBJECTS BETWEEN ROTATING FAN BLADES.

Blade Balancing

The following procedure should correct most fan wobble. Check after each step.

1. Check that all blade and blade bracket screws are secure.
2. Most fan wobble problems are caused when blade levels are unequal. Check this level by selecting a point on the ceiling above the tip of one of the blades. Measure from a point on the center of each blade to the point on the ceiling. Measure this distance as shown in Figure 14. Rotate the fan until the next blade is positioned for measurement. Repeat for each blade. Measurements deviation should be within $1/8"$. Run the fan for 10 Minutes.
3. Use the enclosed Blade Balancing Kit if the blade wobble is still noticeable.

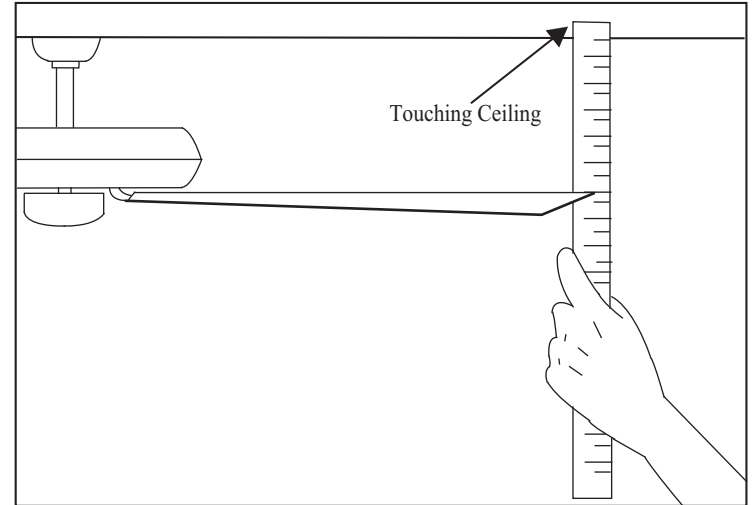


Figure 14

Installing the Mounting Plate

1. Remove 1 of 3 screws from the mounting ring and loosen the other 2 screws. (Do not remove)
2. Place the key holes on the mounting plate over the 2 screws previously loosened from the mounting ring, turn mounting plate until it locks in place at the narrow section of the key holes. Secure by tightening the 2 screws previously loosened and the one previously removed. (Fig. 15)

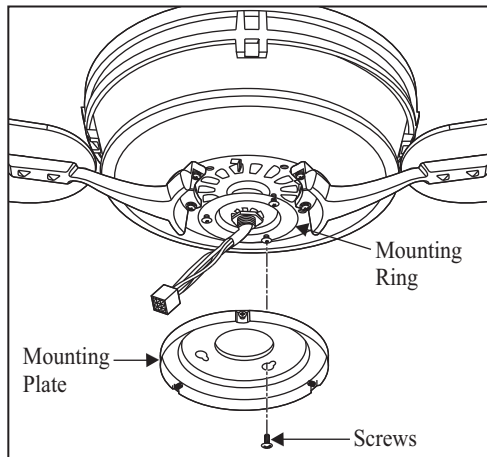


Figure 15

Installing the Light Kit

CAUTION

BEFORE STARTING INSTALLATION, DISCONNECT THE POWER BY TURNING OFF THE CIRCUIT BREAKER OR REMOVING THE FUSE AT FUSE BOX. TURNING POWER OFF USING THE FAN SWITCH IS NOT SUFFICIENT TO PREVENT ELECTRIC SHOCK.

NOTE

IF YOU DO NOT PLAN TO INSTALL THE LIGHT KIT WITH YOUR FAN AT THIS TIME, SKIP STEP 1-6.

1. Remove the plug from the switch housing. Attach the light kit to the switch housing by feeding the light kit wires (black and white) through the hole of switch housing and then screw it onto the switch housing by nut & lock washer. Be sure it is tight enough to prevent light kit from vibrating loose. (Fig. 16)
2. While holding the light kit assembly under your fan, snap together the wire connection plugs. (Fig. 17)
3. Carefully push all wires back into the switch housing, then install the light kit assembly onto the mounting plate with 3 screws provided. Be sure to tighten all screws. (Fig. 17)

4. Remove the lock ring from the socket by turning the lock ring clockwise until it unlocks. Insert the glass into the glass holder and turn the lock ring counter-clockwise to tighten the glass. Repeat for the remaining glass. (Fig. 17)
5. Install 3 x 60 Watt candelabra bulbs (included).
6. Restore power and your light kit is ready for operation.

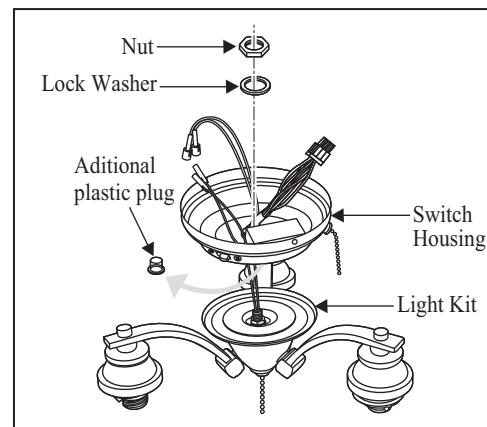


Figure 16

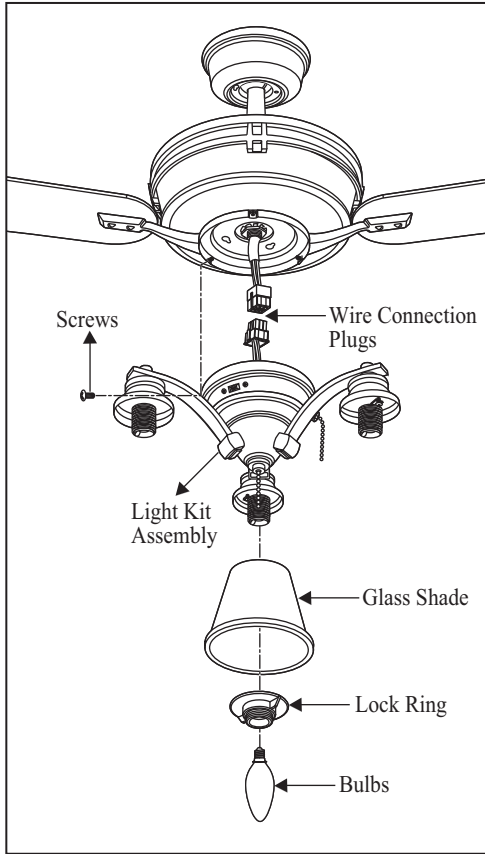


Figure 17

Fan without Light Kit (Optional)

CAUTION

BEFORE STARTING INSTALLATION, DISCONNECT THE POWER BY TURNING OFF THE CIRCUIT BREAKER OR REMOVING THE FUSE AT FUSE BOX. TURNING POWER OFF USING THE FAN SWITCH IS NOT SUFFICIENT TO PREVENT ELECTRIC SHOCK.

1. Holding the switch housing under your fan, snap the wire connection plugs together .
2. Install the switch housing to the mounting plate with screws provided. (Fig. 18)

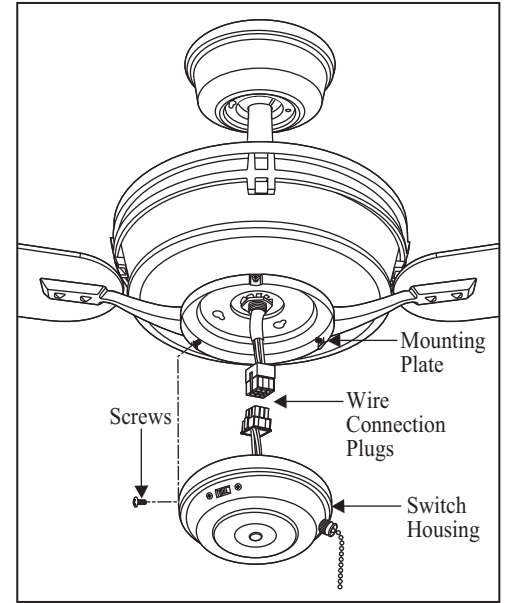


Figure 18

Operating Your Fan

NOTE

WAIT FOR FAN TO STOP BEFORE REVERSING THE DIRECTION OF THE BLADE ROTATION.

Turn on the power and check the operation of your fan. There are two pull chains available in your fan:

1. 3-speed pull chain- it controls the fan speed as follows: 1 pull- High, 2 pulls- Medium, 3 pulls- Low, and 4 pulls- Off.

Speed settings for warm or cool weather depend on factors such as the room size, ceiling height, number of fans, and so on.

2. Light kit pull chain- it controls the light kit in "ON" or "OFF".

The slide switch controls directions: forward (switch left) or reverse (switch right).

Warm weather - (Counter-Clockwise direction)
A downward air flow creates a cooling effect as shown in Figure 19. This allows you to set your air conditioner on a higher setting without affecting your comfort.

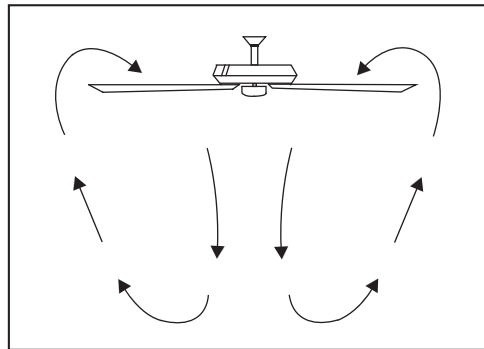


Figure 19

Cool weather - (Clockwise direction)
An upward air flow moves warm air off the ceiling as shown in Figure 20. This allows you to set your heating unit on a lower setting without affecting your comfort.

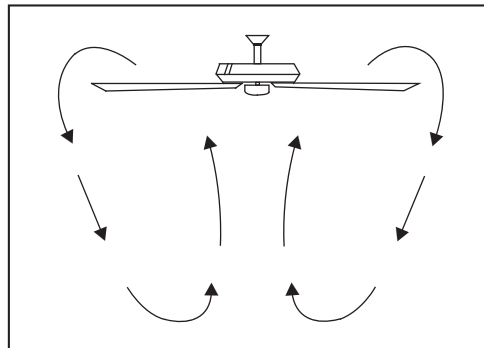


Figure 20

Care of Your Fan Troubleshooting

Here are some suggestions to help you maintain your fan.

1. Because of the fan's natural movement, some connections may become loose. Check the support connections, brackets, and blade attachments twice a year. Make sure they are secure. (It is not necessary to remove fan from ceiling.)
2. Clean your fan periodically to help maintain its new appearance over the years. Do not use water when cleaning. Use only a soft brush or lint-free cloth to avoid scratching the finish. The plating is sealed with a lacquer to minimize discoloration or tarnishing. Do not use water when cleaning. This could damage the motor, or the wood, or possibly cause an electrical shock.
3. You can apply a light coat of furniture polish to the wood blades for additional protection and enhanced beauty. Cover small scratches with a light application of shoe polish.
4. There is no need to oil your fan. The motor has permanently lubricated sealed ball bearings.

PROBLEM SOLUTION

Fan will not start

1. Check main and branch circuit fuses or breakers.
2. Check line wire connections to the fan and switch wire connections in the switch housing.

Fan sounds noisy

1. Make sure all motor housing screws are snug.
2. Make sure the screws that attach the fan blade bracket to the motor hub is tight.
3. Make sure wire nut connections are not rattling against each other or the interior wall of the switch housing.
4. Allow a 24-hour "breaking-in" period. Most noises associated with a new fan disappear during this time.
5. If using ceiling fan light kit, make sure the screws securing the glassware are tight. Check that the light bulb is also secure.
6. Make sure there is a short distance from the ceiling to the canopy. It should not touch the ceiling.
7. Make sure your ceiling box is secure and rubber isolator pads are used between mounting bracket and outlet box.

Lights shut off and will not come back on.

1. This unit is equipped with a wattage limiting device. Lamping in excess of 190 watts will disable your ceiling fan's light kit. To reset your light kit you must turn the power off and relamp, keeping the wattage under 190 watts. Restore power to your ceiling fan and continue normal operation.

WARNING

MAKE SURE THE POWER IS OFF AT THE ELECTRICAL PANEL BOX BEFORE YOU ATTEMPT ANY REPAIRS. REFER TO THE SECTION, "MAKING ELECTRICAL CONNECTIONS".

Specifications

FAN SIZE	SPEED	VOLTS	AMPS	WATTS	RPM	CFM	N.W.	G.W.	C.F.
52"	LOW	120	0.20	10	57	1716	10.8 kgs (23.76 lbs)	12.3 kgs (27.06 lbs)	2.41'
	MED.		0.35	30	106	3419			
	HIGH		0.48	58	154	4884			

These are approximate measures. They do not include Amps and Wattage used by the light kit .

Hampton Bay Lifetime Limited Warranty

(lifetime warranty on motor)

The Hampton Bay warrants the fan motor to be free from defects in workmanship and material present at time of shipment from the factory for a period of lifetime after the date of purchase by the original purchaser. Hampton Bay also warrants that all other fan parts, excluding any glass or acrylic blades, to be free from defects in workmanship and material at the time of shipment from the factory for a period of one year after the date of purchase by the original purchaser. We agree to correct such defects without charge or at our option replace with a comparable or superior model if the product is returned to Hampton Bay. To obtain warranty service, you must present a copy of the receipt as proof of purchase. All costs of removing and reinstalling the product are your responsibility. Damage to any part such as by accident or misuse or improper installation or by affixing any accessories, is not covered by this warranty. Because of varying climatic conditions this warranty does not cover any changes in brass finish, including rusting, pitting, corroding, tarnishing or peeling. Brass finishes of this type give their longest useful life when protected from varying weather conditions. A certain amount of “wobble” is normal and should not be considered a defect. Servicing performed by unauthorized persons shall render the warranty invalid. There is no other express warranty. Hampton Bay hereby disclaims any and all warranties, including but not limited to. Those r a particular purpose to the extent permitted by law. The duration of any implied warranty which cannot be disclaimed is limited to the time period as specified in the express warranty. Some states do not allow limitation on how long an implied warranty lasts, so the above limitation may not apply to you. The Hampton Bay shall not be liable for incidental, consequential, or special damages arising out of or in connection with product use or performance except as may otherwise be accorded by law. Some states do not allow the exclusion of incidental or consequential damages, so the above exclusion or limitation may not apply to you. This warranty gives specific legal rights, and you may also have other rights which vary from state to state. This warranty supersedes all prior warranties. Shipping costs for any return of product as part of a claim on the warranty must be paid by the customer.

IMPORTANT NOTE:

To ensure warranty service if ever needed, please register your fan at:
www.tal-usa.com/registration

You must present a copy of the original purchase receipt to obtain warranty service.

Ceiling Fan Parts & Service Department
2919 E. Philadelphia Street
Ontario, CA 91761
U.S.A.

Attach receipt here for easy location