

**AL14-BN**

**120 V~ 60 Hz 44 W**

**Read and follow all the instructions  
before using this product.**

**Model: 129 828**



# **Bentley II 18 in Ceiling Fan Owner's Manual**

---

**Bentley II  
Ventilador de Techo de 45.7 cm  
Manual del Propietario**



# HOME DECORATORS COLLECTION

**C**ongratulations on your purchase of a Home Decorators Collection ceiling fan. Your new fan will be a beautiful addition to your home, and will keep you comfortable throughout the year.

The Home Decorators Collection Fan Company offers a wide variety of ceiling fans. We offer combinations of wood and brass finishes, solid designer colors, and our unique glass and crystal designs.

A large selection of light fixtures and light kits is also available. Ask your dealer about other accessories that will allow you to further customize your fan.

We're certain that your Home Decorators Collection fan will provide you with many years of comfort, energy savings and satisfaction. To ensure your personal safety and to maximize the performance of your fan, please read this manual thoroughly.

## **Bentley II by Home Decorators Collection**

## VENTILADOR DE TECHO/CEILING FAN

Marca/Brand: Home Decorators Collection

Modelo/Model: **129828**

120 V~ 60 Hz 44 W



*Consumo de energía por unidad de tiempo en operación (Energy Consumption): 48,145 Wh*

**Importador/Importer: SERVICIOS HOME DEPOT, S. DE R.L. DE C.V.**

Ricardo Margain 605, Santa Engracia, San Pedro Garza García, Nuevo León, C.P. 66267 Tel./Phone: 01 800 004 6633

Lea y siga todas las instrucciones de seguridad y operación antes de usar este aparato/ Read and follow all the instructions of security and operation before using this product

**CONT. 1 Ventilador/Fan  
Requiere ensamblaje/Assembly Required**

**Hecho en/Made in: China**

# 18” Bentley II

## Ceiling Fan by HDC

Thank you for purchasing our ceiling fan. This product has been manufactured with the highest standards of safety and quality.

Date Purchased \_\_\_\_\_

Store Purchased \_\_\_\_\_

Model No. \_\_\_\_\_ 129 828

Serial No. \_\_\_\_\_

Vendor No. \_\_\_\_\_ 548810

UPC \_\_\_\_\_ 792145370864

## Table of Contents

Safety Rules . . . . .	1
Unpacking Your Fan . . . . .	2
Installing Your Fan . . . . .	3
Operating Your Fan . . . . .	9
Care of Your Fan . . . . .	10
Troubleshooting . . . . .	10
Specifications . . . . .	11

# Safety Rules - Read and Save These Instructions

1. To reduce the risk of electric shock, insure electricity has been turned off at the circuit breaker or fuse box before beginning.
2. All wiring must be in accordance with the National Electrical Code “ANSI/NFPA 70-1999” and local electrical codes. Electrical installation should be performed by a qualified licensed electrician.
3. A all-pole disconnection that provide full disconnection under overvoltage category III from the supply mains incorporated in the fixed wiring is to be provided during installed.
4. If the supply cord is damaged, it must be replaced by the manufacturer, its service agent or similarly qualified persons in order to avoid a hazard.
5. After installed, need a set of supply leads accommodated in a suitable compartment.
6. **WARNING:** To reduce the risk of electrical shock or fire, do not use this fan with any solid-state fan speed control device. It will permanently damage the electronic circuitry.
7. **CAUTION:** To reduce the risk of personal injury, use only the screws provided with the outlet box.
8. The outlet box and support structure must be securely mounted and capable of reliably supporting a minimum of 35 lbs (15.9 kg) or less. Use only UL-listed outlet boxes marked “**FOR FAN SUPPORT**”.
9. The fan must be mounted with a minimum of 10 ft (3.05m) clearance from the trailing edge of the blades to the floor.
10. Avoid placing objects in the path of the blades.
11. To avoid personal injury or damage to the fan and other items, be cautious when working around or cleaning the fan.
12. Do not use water or detergents when cleaning the fan or fan blades. A dry dust cloth or lightly dampened cloth will be suitable for most cleaning.
13. After making electrical connections, spliced conductors should be turned upward and pushed carefully up into outlet box. The wires should be spread apart with the grounded conductor and the equipment-grounding conductor on one side of the outlet box and ungrounded conductor on the other side of the outlet box.
14. All set screws must be checked and retightened where necessary before installation.
15. The appliance is not to be used by persons (including children) with reduced physical, sensory or metal capabilities, or lack of experience and knowledge, unless they have been given supervision or instruction.
16. This device complies with part 15 of the FCC Rules. Operation is subject to the following two conditions: (1) This device may not cause harmful interference, and (2) this device must accept any interference received, including interference that may cause undesired operation.
17. Instructions for the use of the apparatus according with NOM-024-SCFI, are provided with the apparatus.

## **WARNING**

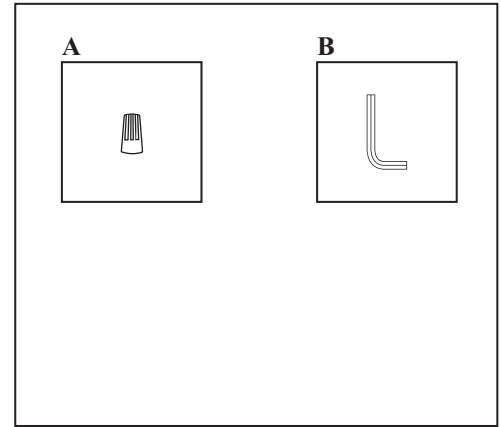
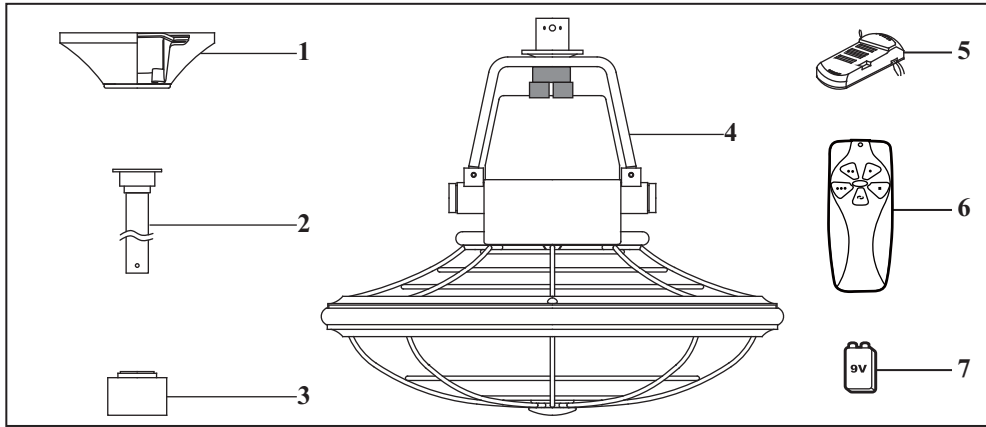
TO REDUCE THE RISK OF PERSONAL INJURY, DO NOT BEND THE BLADE ARMS (ALSO REFERRED TO AS FLANGES), WHEN INSTALLING THE BRACKETS, BALANCING THE BLADES OR CLEANING THE FAN. DO NOT INSERT FOREIGN OBJECTS IN – BETWEEN ROTATING FAN BLADES.

## **WARNING**

TO REDUCE THE RISK OF FIRE, ELECTRIC SHOCK OR PERSONAL INJURY, MOUNT FAN TO OUTLET BOX MARKED ACCEPTABLE FOR FAN SUPPORT WITH THE SCREWS PROVIDED WITH THE OUTLET BOX.

# Unpacking Your Fan

Unpack your fan and check the contents. You should have the following items:



1. Canopy assembly
2. Ball/downrod assembly
3. Coupling cover
4. Fan motor assembly

5. Receiver+6 wire nuts
6. Transmitter+holder+2 mounting screws
7. 9 Volt battery

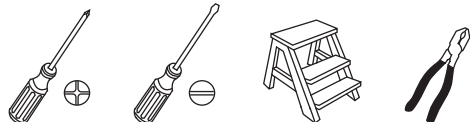
- A. Electrical Hardware  
(3 Plastic Wire Nuts)
- B. Allen wrench

**WARNING**  
DO NOT INSTALL OR USE FAN IF ANY  
PART IS DAMAGED OR MISSING.  
CALL TOLL FREE 01-800-004-6633.

# Installing Your Fan

## Tools Required

Phillips screwdriver, straight slot screwdriver, step ladder and wire cutters.



## Mounting Options

If there isn't an existing NOM listed mounting box, then read the following instructions. Disconnect the power by removing fuses or turning off circuit breakers.

Secure the outlet box directly to the building structure. Use appropriate fasteners and building materials. The outlet box and its support must be able to fully support the moving weight of the fan (at least 35 lbs). Do not use plastic outlet boxes.

### WARNING

TO REDUCE THE RISK OF FIRE, ELECTRIC SHOCK OR PERSONAL INJURY, MOUNT FAN ONLY TO AN OULET BOX MARKED ACCEPTABLE FOR FAN SUPPORT AND USE THE MOUNTING SCREWS PROVIDED WITH THE OULET BOX. OULET BOX COMMONLY USED FOR THE SUPPORT OF LIGHTING FIXTURE MAY NOT BE ACCEPTABLE FOR FAN SUPPORT AND MAY NEED TO BE REPLACED. CONSULT A QUALIFIED ELECTRICIAN IF IN DOUBT.

Figures 1~2 are examples of different ways to mount the outlet box.

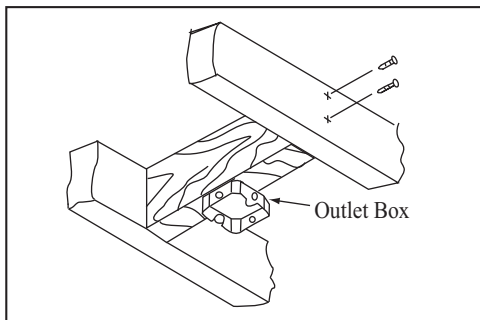


Figure 1

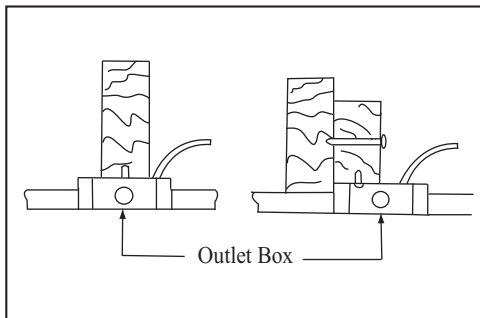


Figure 2

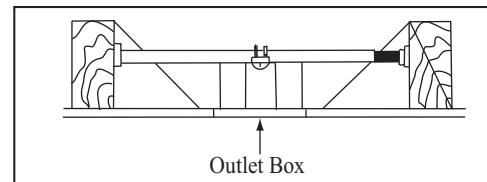


Figure 3

To hang your fan where there is an existing fixture but no ceiling joist, you may need an installation hanger bar as shown in Figure 4 (available at any Home Depot store).

# Hanging the Fan

**REMEMBER** to turn off the power. Follow the steps below to hang your fan properly.

1. Remove the decorative canopy bottom cover from the canopy by turning the cover counter clockwise. (Figure 4)
2. Remove the mounting bracket from the canopy by removing the 1 of 2 screws from the bottom of the mounting bracket and loosening the other one a half turn from the screw head. Next, turn the canopy counter clockwise to removing the mounting bracket from the canopy. (Figure 4)
3. Remove the clevis pin, cotter pin and set screws from the top of the motor assembly. (Figure 5)

**NOTE:** If a longer downrod is needed, take out the screw located in the hanger ball (you need to use the allen wrench to loosen your set screw), lower the hanger ball and remove the pin, remove all 3 pieces from the downrod and assemble them onto the new longer downrod before proceeding step 4. (The longer downrod is available at any Home Depot store)

4. Route wires and safety cable exiting from the top of the fan motor through the coupling cover, canopy cover, canopy and then through the ball/ downrod. (Figure 5)

5. Align the holes at the bottom of the downrod with the holes in the coupling on top of the motor housing (Figure 5). Carefully insert the clevis pin through the holes in the collar and downrod. Be careful not to jam the clevis pin against the wiring inside the downrod. Insert the cotter pin through the hole near the end of the clevis pin until it snaps into its locked position, as noted in the circle inset of Fig. 5.

## WARNING

**FAILURE TO PROPERLY INSTALL COTTER PIN AS NOTED IN STEP 5 COULD RESULT IN FAN LOOSENING AND POSSIBLY FALLING.**

6. Tighten two set screws at top of the fan motor collar. (Fig. 5)

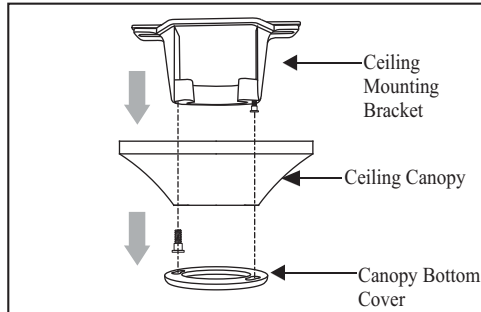


Figure 4

## WARNING

**THE FAN MOTOR ASSEMBLY IS SHIPPED WITH A STOPPER TO PREVENT MOVEMENT DURING TRANSPORTATION. DO NOT REMOVE THIS STOPPER UNTIL INSTRUCTED TO DO SO IN THIS MANUAL. (FIG. 5)**

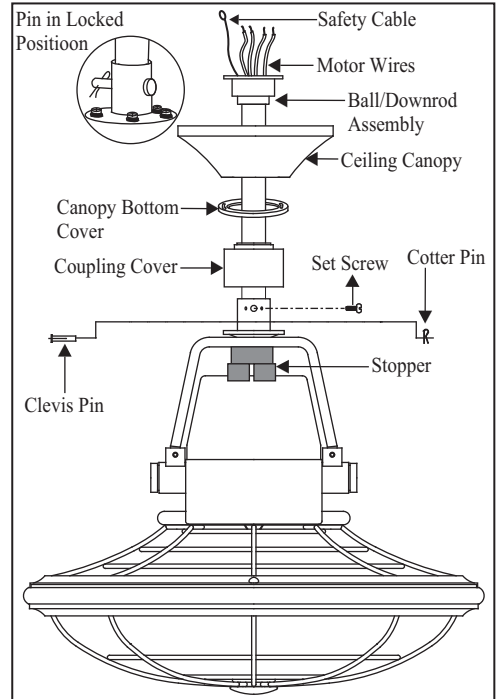


Figure 5



# Installing Fan to the Electrical Box

## WARNING

TO REDUCE THE RISK OF FIRE, ELECTRIC SHOCK OR OTHER PERSONAL INJURY, MOUNT FAN ONLY TO AN OUTLET BOX OR SUPPORTING SYSTEM MARKED ACCEPTABLE FOR FAN SUPPORT AND USE THE MOUNTING SCREWS PROVIDED WITH THE OUTLET BOX.

1. Pass the 120-volt supply wires through the center hole in the ceiling mounting bracket as shown in Figure 6.
2. Install the ceiling mounting bracket on the outlet box with the screws and washers provided with your outlet box. (Figure 6)
3. Security tighten the two mounting screws.
4. Hanging the assembled fan onto the mounting bracket, place the downrod ball into the mounting bracket. (Figure 7)
5. Secure the safety cable to the building structure as shown in Figure 8.

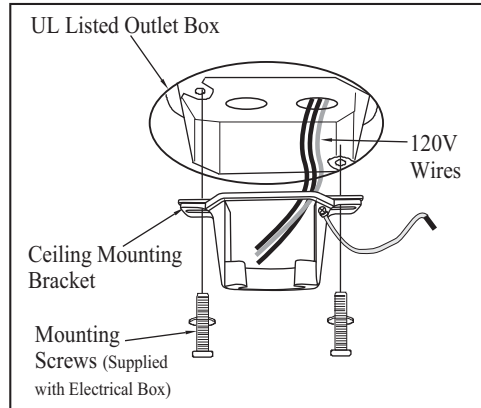


Figure 6

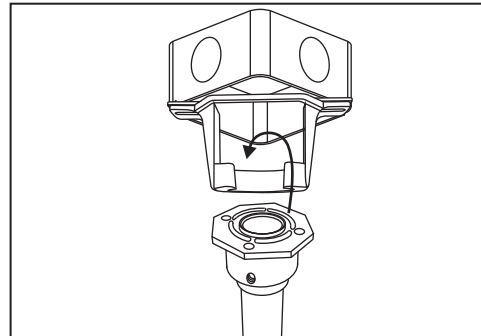


Figure 7

## WARNING

THE TAB IN THE RING MUST REST IN THE GROOVE OF THE HANGER BALL AS FIGURE 7. FAILURE TO PROPERLY SEAT THE TAB IN THE GROOVE COULD CAUSE DAMAGE TO WIRING.

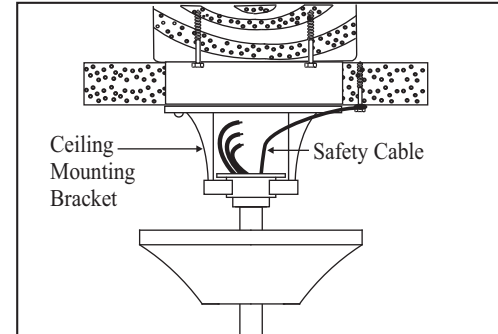


Figure 8

# Making the Electrical Connections

## WARNING

TO AVOID POSSIBLE ELECTRICAL SHOCK, BE SURE ELECTRICITY IS TURNED OFF AT THE MAIN FUSE BOX BEFORE WIRING.

If you feel you do not have enough electrical wiring knowledge or experience, have your fan installed by a licensed electrician.

This remote control unit is equipped with 16 code combinations to prevent possible interference from or to other remote units. The frequency switches on your receiver and transmitter have been preset at the factory. Please recheck to make sure the switches on the transmitter and the receiver are set to the same position, any combination of settings will operate the fan as long as the transmitter and receiver are set to the same position. (Figure 9).

1. Insert the receiver into the mounting bracket with the flat side of the receiver facing the ceiling as Figure 10.

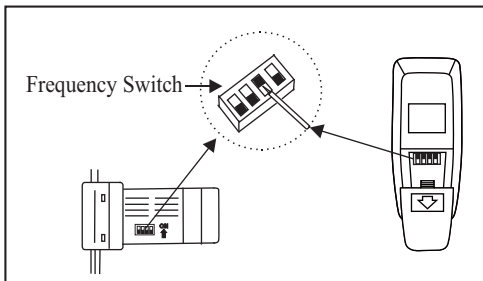


Figure 9

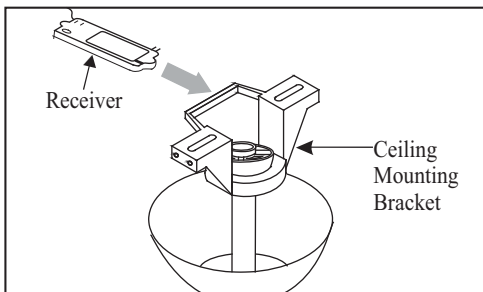


Figure 10

2. (Fig. 11) Motor to receiver electrical connections: Connect the black wire from the fan to black wire marked "TO MOTOR L". Connect the white wire from the fan to the white wire marked "TO MOTOR N" from the receiver. Connect the blue wire from the fan to the blue wire marked "FOR OSCILLATION"

from the receiver. Secure the wire connections with the plastic wire connecting nuts provided.

3. (Figure 11) Receiver to house supply wires electrical connections: Connect the black (hot) wire from the ceiling to the black wire marked "AC in L" from the receiver. Connect the white (neutral) wire from the ceiling to the white wire marked "AC in N" from the receiver. Secure the wire connections with the plastic wire connecting nuts provided.

4. (Figure 11) If your outlet box has a ground wire (green or bare copper) connect it to the fan ground wires; otherwise connect the hanging bracket ground wire to the mounting bracket. Secure the wire connection with a plastic nut provided. After connecting the wires spread them apart so that the green and white wires are on one side of the outlet box and black and blue wires are on the other side. Carefully tuck the wire connections up into the outlet box.

## NOTE

FAN MUST BE INSTALLED AT A MAXIMUM DISTANCE OF 20 FEET FROM THE TRANSMITTING UNIT FOR PROPER SIGNAL TRANSMISSION BETWEEN THE TRANSMITTING UNIT AND THE FAN'S RECEIVING UNIT.

## CAUTION

DO NOT USE WITH WALL LIGHT DIMMER SWITCH.

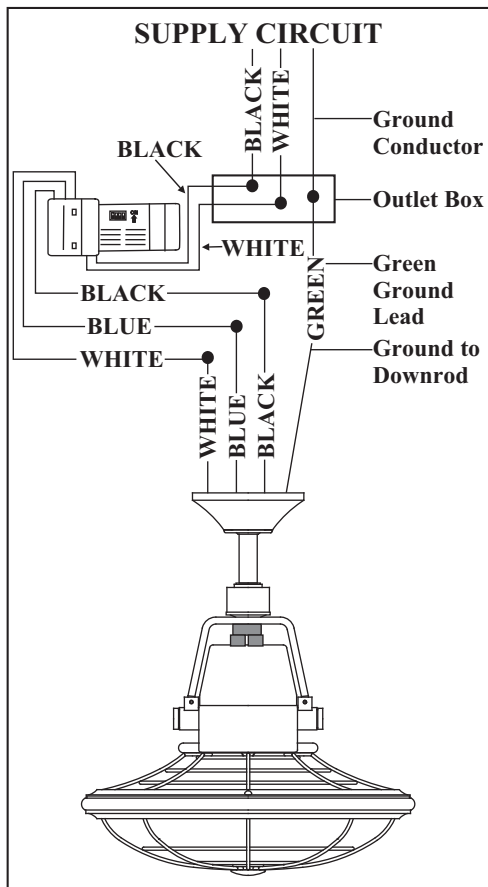


Figure 11

## Finishing the Fan Installation

1. Tuck connections neatly into ceiling outlet box.
2. Slide the canopy up to mounting bracket and place the key hole on the canopy over the screw on the mounting bracket, turn canopy until it locks in place at the narrow section of the key holes. (Fig. 12)
3. Align the circular hole on canopy with the remaining hole on the mounting bracket, secure by tightening the two set screws. **Note:** Adjust the canopy screws as necessary until the canopy and canopy cover are snug.
4. Remove the stopper by pressing the clip on the stopper and sliding it forward off of the tube and fan assembly.

### WARNING

MAKE SURE THE TAB ON THE HANGING BRACKET PROPERLY SITS IN THE GROOVE IN THE HANGER BALL BEFORE ATTACHING THE CANOPY TO THE BRACKET BY TURNING THE HOUSING UNTIL IT DROPS INTO PLACE.

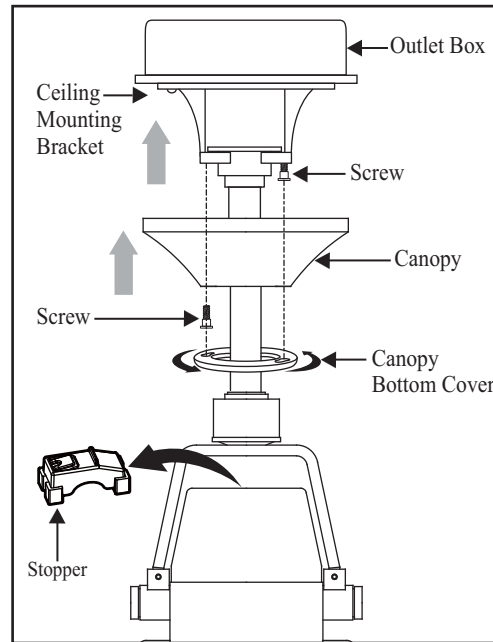


Figure 12

# Disassembling Your Fan

This fan is pre-assembled the rear guard, blade and front guard in factory before shipping for your easy installation, checking all screws are tighten and securely in place, following the below procedures if you are intended to disassemble the fan for cleaning: (Fig. 13)

1. Loose the screws on rear guard to disassemble the front guard from rear guard.
2. Remove the blade cover from the blade by turning the blade cover counter-clockwise.
3. Remove the blade from the rear guard by turning the blades counter-clockwise.
4. Remove the rear guard from the motor head by loosening the screws from the motor head.

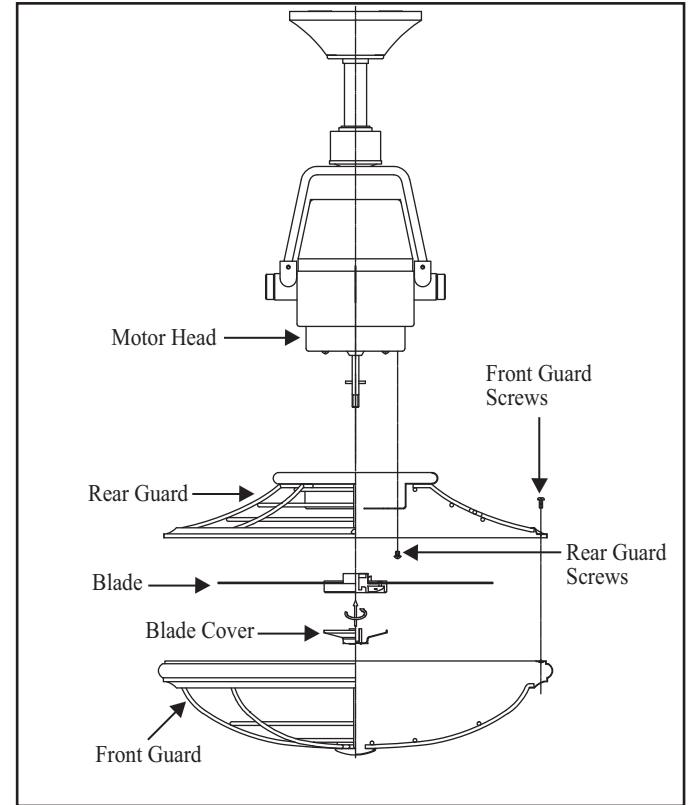



Figure 13

# Operating Your Fan

Restore power to ceiling fan and test for proper operation.

Install 9V battery (included). to prevent damage to transmitter, remove the battery if not used for long periods. (Fig. 14)

( **WARNING:** May explode or leak if recharged, disposed of in fire or dissected. Remove battery from device if not in use.)

1. "●●●●, ●●, ●" buttons:

These three buttons are used to set the fan speed as follows:

● = Low speed,

●● = Medium speed

●●● = High speed

2. "■" button: This button turns the fan off.

3. " " Button:

This button is used for oscillating operation; press the button to set the fan to oscillation, Press again to turn off the oscillation, and the fan will stay at the same direction where the oscillation is turned off. (Fig. 16)

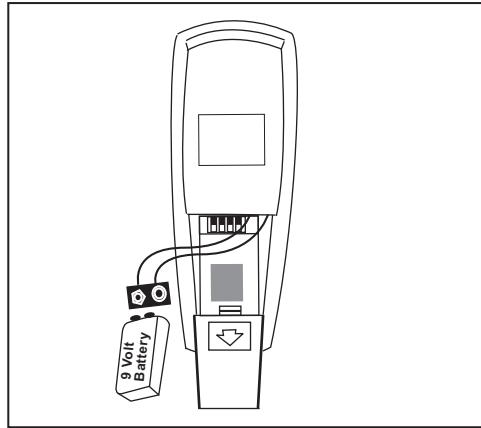


Figure 14

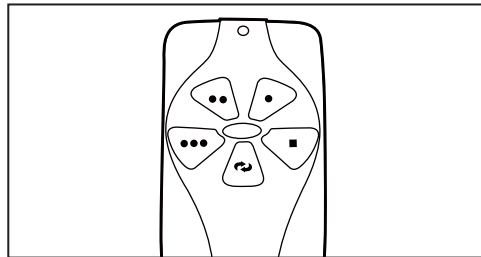


Figure 15

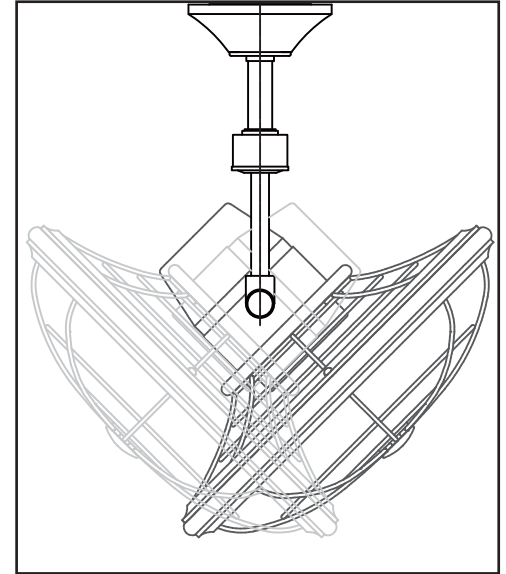


Figure 16

# Care of Your Fan Troubleshooting

Here are some suggestions to help you maintain your fan.

1. Because of the fan's natural movement, some connections may become loose. Check the all guards and protective devices are securely in place and all visible screws are tightened twice a year. Make sure they are secure.
2. Cleaning your fan periodically to help maintain its new appearance over the years, follow the sectioned "Disassembling Your Fan" for properly disassembling and cleaning. Do not use water when cleaning, this could damage the motor, or possibly cause an electrical shock. Use only a soft brush or lint-free cloth to avoid scratches the finish. The plating is sealed with a lacquer to minimize discoloration or tarnishing.
3. You can apply a soft damp cloth to clean the aluminum blades and front guard, taking care not to alter the angle of the blades.
4. There is no need to oil your fan. The motor has permanently lubricated sealed ball bearings.

## PROBLEM SOLUTION

Fan will not start

1. Check main and branch circuit fuses or breakers.
2. Check line wire connections to the fan.
3. Check to make sure the dip switches from the transmitter and receiver are set to the same frequency.

Fan sounds noisy

1. Make sure all screws on fan motor assembly and fan guards are snug.
2. Make sure the blade and the blade cover are securely in place.
3. Allow a 24-hour "breaking-in" period. Most noises associated with a new fan disappear during this time.
4. Make sure there is a short distance from the ceiling to the canopy. It should not touch the ceiling.
5. Make sure your ceiling box is secure and rubber isolator pads are used between mounting bracket and outlet box.

Remote control

1. Do not connect the fan with a wall mounted variable speed control(s).
2. Make sure the dip switches are set correctly.

### WARNING

**MAKE SURE THE POWER IS OFF AT THE ELECTRICAL PANEL BOX BEFORE YOU ATTEMPT ANY REPAIRS. REFER TO THE SECTION, "MAKING ELECTRICAL CONNECTIONS".**

# Specifications

FAN SIZE	SPEED	VOLTS	AMPS	WATTS	RPM	CMM	N.W.	G.W.	C.F.
18"	LOW	120	0.24	12.62	833	20.84	6.26 kgs (13.77 lbs)	8.5 kgs (18.70 lbs)	4.9'
	MED.		0.28	18.28	1097	29.02			
	HIGH		0.36	41.83	1611	41.29			

These are approximate measures. They do not include Amps and Wattage used by the light kit.

Importer: **SERVICIOS HOME DEPOT, S. DE R.L. DE C.V.**  
 Ricardo Margain 605, Santa Engracia, San Pedro Garza García,  
 Nuevo León, C.P. 66267. Tel. 01 800 004 6633

**Warranty printed on manual is not valid for Mexico**

Questions, problems, missing parts?

Before returning to the store call our customer service

**01 800 004 6633**

The appliance is not to be used by persons (including children) with reduced physical, sensory or mental capabilities, or lack of experience and knowledge, unless they have been given supervision or instruction.  
 Children should be supervised to ensure that they do not play with the appliance.