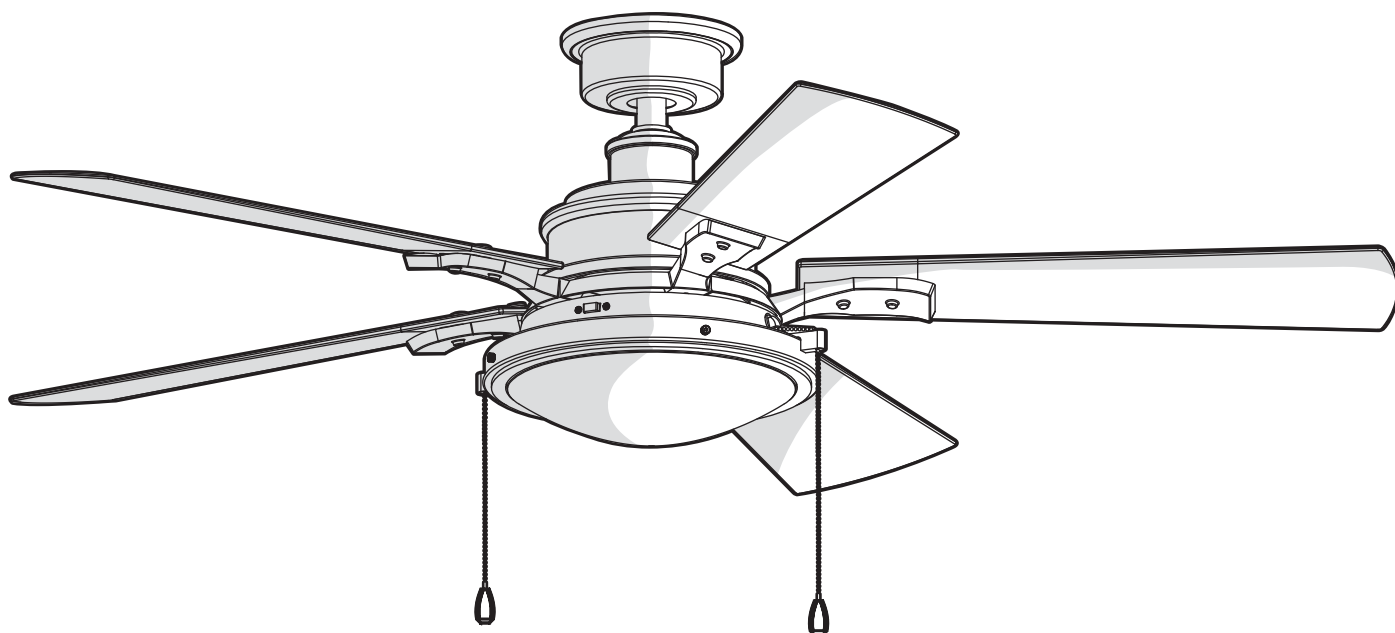


USE AND CARE GUIDE

BAXLEY POINT OUTDOOR 54 IN. CEILING FAN



Questions, problems, missing parts? Before returning to the store,
call Home Decorators Collection Customer Service
8 a.m. - 7 p.m., EST, Monday - Friday, 9 a.m.- 6 p.m., EST, Saturday

1-800-986-3460

HOMEDEPOT.COM/HOMEDECORATORS



Visual instruction of how to install this fan:

Visit www.homedepot.com and enter either the Item or Model number to find this fan and click the link of visual instruction in the product overview section.

THANK YOU

We appreciate the trust and confidence you have placed in Home Decorators Collection through the purchase of this ceiling fan. We strive to continually create quality products designed to enhance your home. Visit us online to see our full line of products available for your home improvement needs. Thank you for choosing Home Decorators Collection!

Table of Contents

Table of Contents	2	Operation	17
Safety Information	3	Pull Chain Operating Instructions	17
Warranty	4	Reverse Switch Operating Instructions	17
Pre-installation	4	Care and Cleaning	18
Specifications	4	Troubleshooting	18
Tools Required	4	Service Parts	20
Hardware Included	5		
Package Contents	6		
Installation	7		
Assembly	8		
Hanging the Fan	9		
Attaching the Fan Blades	13		
Installing the Light Kit	15		

READ AND SAVE THESE INSTRUCTIONS

Safety Information

1. To reduce the risk of electric shock, ensure electricity has been turned off at the circuit breaker or fuse box before beginning.
2. All wiring must be in accordance with the National Electrical Code "ANSI/NFPA 70-1999" and local electrical codes. Electrical installation should be performed by a qualified licensed electrician.
3. The outlet box and support structure must be securely mounted and capable of reliably supporting a minimum of 35 lbs (15.9 kg) or less. Use only UL-listed outlet boxes marked "FOR FAN SUPPORT."
4. The fan must be mounted with a minimum of 7 ft (2.1m) clearance from the trailing edge of the blades to the floor.
5. Avoid placing objects in the path of the blades.
6. To avoid personal injury or damage to the fan and other items, be cautious when working around or cleaning the fan.
7. Do not use water or detergents when cleaning the fan or fan blades. A dry dust cloth or lightly dampened cloth will be suitable for most cleaning.
8. After making electrical connections, spliced conductors should be turned upward and pushed carefully up into the outlet box. The wires should be spread apart with the grounded conductor and the equipment-grounding conductor on one side of the outlet box and ungrounded conductor on the other side of the outlet box.
9. All setscrews must be checked and retightened where necessary before installation.
10. This device complies with part 15 of the FCC Rules. Operation is subject to the following two conditions: (1) This device may not cause harmful interference, and (2) this device must accept any interference received, including interference that may cause undesired operation.

WARNING: Changes or modifications to this unit not expressly approved by the party responsible for compliance could void the user's authority to operate the equipment.

NOTE: This equipment has been tested and found to comply with the limits for a Class B digital device, pursuant to Part 15 of the FCC Rules. These limits are designed to provide reasonable protection against harmful interference in a residential installation. This equipment generates, uses and can radiate radio frequency energy and, if not installed and used in accordance with the instructions, may cause harmful interference to radio communications.

However, there is no guarantee that interference will not occur in a particular installation. If this equipment does cause harmful interference to radio or television reception, which can be determined by turning the equipment off and on, the user is encouraged to try to correct the interference by one or more of the following measures:

- Reorient or relocate the receiving antenna.
- Increase the separation between the equipment and receiver.
- Connect the equipment into an outlet on a circuit different from that to which the receiver is connected.
- Consult the dealer or an experienced radio/TV technician for help.

The following responsible party designated in FCC §2.909 is responsible for this declaration:

Model Number: YG786-MBK

Company Name: TAL INTERNATIONAL CORPORATION

Company Address: 2919 E. Philadelphia St., Ontario, CA 91761, U.S.A.

Full Name: James Lai Title: Manager

Telephone Number: (909) 923-2888 Fax: (909) 923-8337



WARNING: To reduce the risk of electrical shock or fire, do not use this fan with any solid-state fan speed control device. It will permanently damage the electronic circuitry.



WARNING: To reduce the risk of personal injury, do not bend the blade arms (also referred to as flanges), when installing the brackets, balancing the blades or cleaning the fan.



WARNING: Do not insert foreign objects between rotating fan blades.



WARNING: To reduce the risk of fire, electric shock or personal injury, mount the fan to the outlet box marked acceptable for fan support with the screws provided with the outlet box.



CAUTION: To reduce the risk of personal injury, use only the screws provided with the outlet box.

Warranty

The manufacturer warrants the fan motor to be free from defects in workmanship and material present at time of shipment from the factory for a period of lifetime after the date of purchase by the original purchaser. The manufacturer warrants the light kit (excluding any glass), to be free from defects in workmanship and material present at time of shipment from the factory for a period of five years after the date of purchase by the original purchaser. The manufacturer also warrants that all other fan parts, excluding any glass or acrylic blades, to be free from defects in workmanship and material at the time of shipment from the factory for a period of two years after the date of purchase by the original purchaser. We agree to correct such defects without charge or at our option replace with a comparable or superior model if the product is returned. To obtain warranty service, you must present a copy of the receipt as proof of purchase. All costs of removing and reinstalling the product are your responsibility. Damage to any part such as by accident, misuse, improper installation or by affixing any accessories, is not covered by this warranty. Because of varying climatic conditions this warranty does not cover any changes in brass finish, including rusting, pitting, corroding, tarnishing or peeling. Brass finishes of this type give the longest useful life when protected from varying weather conditions. A certain amount of “wobble” is normal and should not be considered a defect. Servicing performed by unauthorized persons shall render the warranty invalid. There is no other express warranty. We hereby disclaim any and all warranties, including but not limited to those of merchantability and fitness for a particular purpose to the extent permitted by law. The duration of any implied warranty which cannot be disclaimed is limited to the time period as specified in the express warranty. Some states do not allow limitation on how long an implied warranty lasts, so the above limitation may not apply to you. The retailer shall not be liable for incidental, consequential, or special damages arising out of or in connection with product use or performance except as may otherwise be accorded by law. Some states do not allow the exclusion of incidental or consequential damages, so the above exclusion or limitation may not apply to you. This warranty gives specific legal rights, and you may also have other rights which vary from state to state. This warranty supersedes all prior warranties. Shipping costs for any return of product as part of a claim on the warranty must be paid by the customer.

Contact the Customer Service Team at 1-800-986-3460 or visit www.HOMEDEPOT.COM/HOMEDECORATORS

Pre-Installation

SPECIFICATIONS

Fan size	Speed	Volts	Amps	Watts	RPM	CFM	N.W.	G.W.	C.F.
54 in.	Low	120	0.31	11.02	49	1549	9.1 kg (20.02 lbs.)	12.2 kg (26.84 lbs.)	2.47 cu. ft.
	Medium		0.40	31.11	101	3214			
	High		0.65	63.01	151	4920			



NOTE: These are approximate measures. They do not include amps and wattage used by the light kit.



TOOLS REQUIRED

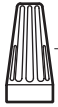


Pre-Installation (continued)

HARDWARE INCLUDED



NOTE: Hardware not shown to actual size.



AA



BB



CC

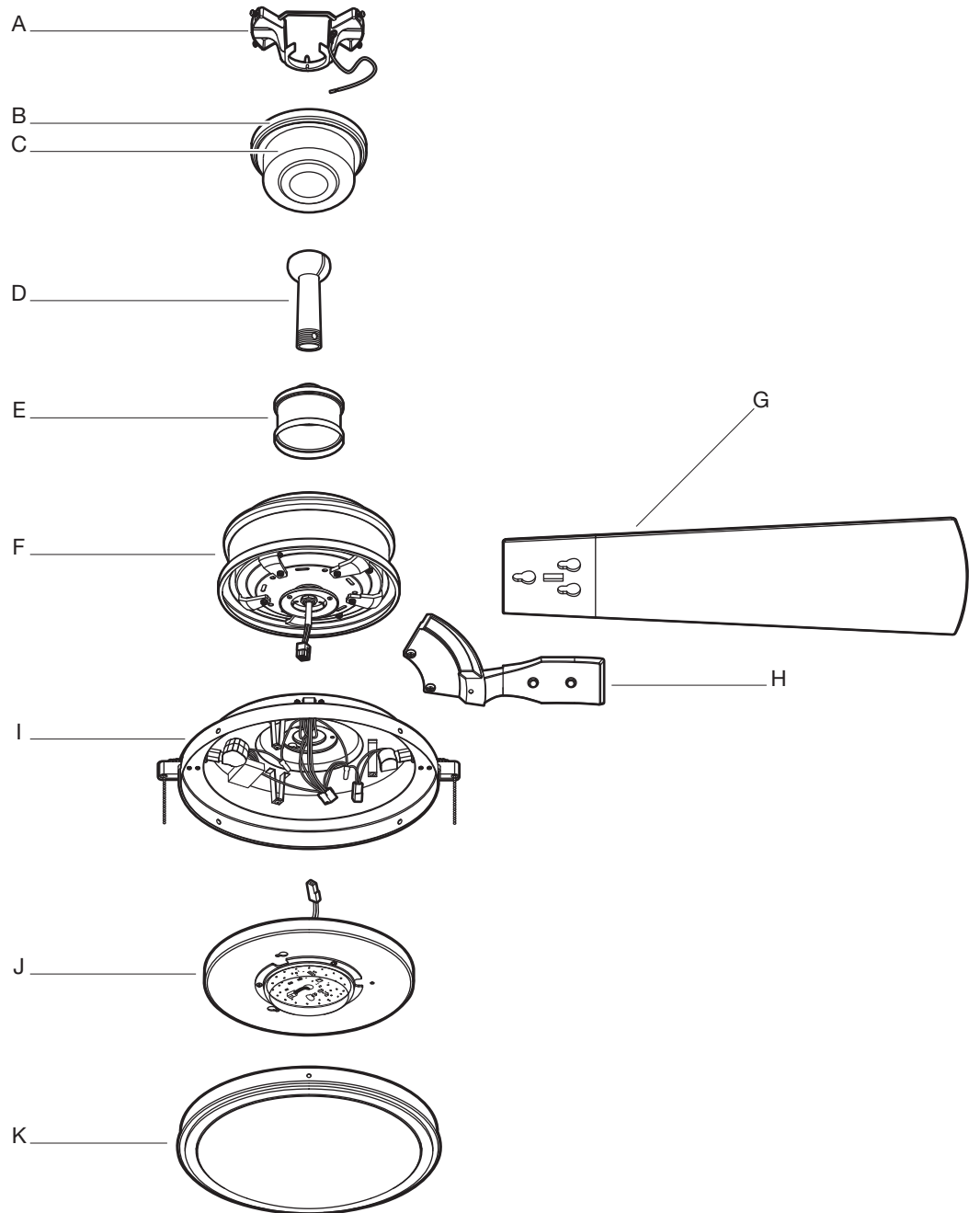


DD

Part	Description	Quantity
AA	Plastic wire nut	3
BB	Pull chain and fob	2
CC	Hex wrench	1
DD	Hex screw	5

Pre-Installation (continued)

PACKAGE CONTENTS



Part	Description	Quantity
A	Mounting bracket (preassembled)	1
B	Canopy ring (preassembled)	1
C	Canopy	1
D	Hanger ball/downrod assembly	1
E	Coupling cover	1
F	Fan motor assembly	1

Part	Description	Quantity
G	Blade	5
H	Blade arm	5
I	Switch housing	1
J	20W LED Light kit	1
K	Plastic shade assembly	1

Installation

MOUNTING OPTIONS

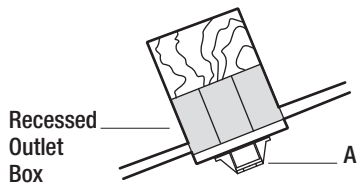
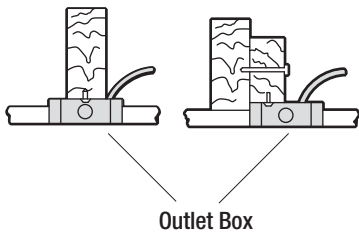
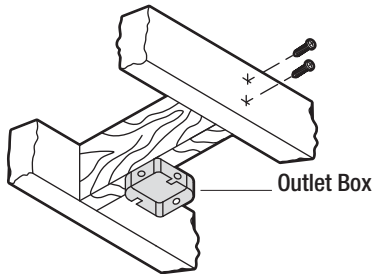


WARNING: To reduce the risk of fire, electric shock, or personal injury, mount the fan to an outlet box marked acceptable for fan support using the screws provided with the outlet box. An outlet box commonly used for the support of lighting fixtures may not be acceptable for fan support and may need to be replaced. If in doubt, consult a qualified electrician.

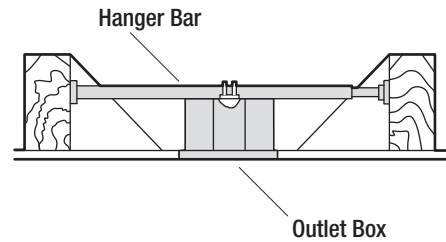
If your ceiling fan does not have an existing UL-listed mounting box, then install one using the following instructions:

- Disconnect the power by removing the fuses or turning off the circuit breakers.
- Secure the outlet box (not included) directly to the building structure. Use appropriate fasteners and materials (not included). The outlet box and its bracing must be able to fully support the weight of the moving fan (at least 35 lbs.). Do not use a plastic outlet box.

The illustrations below show three different ways to mount the outlet box (not included).



NOTE: You may need a longer downrod to maintain proper blade clearance when installing on a steep, sloped ceiling. The maximum angle allowable is 18° away from horizontal. If the canopy (C) touches the hanger ball/downrod assembly (D), turn the canopy (C) 180° before attaching the canopy (C) to the mounting bracket (A).

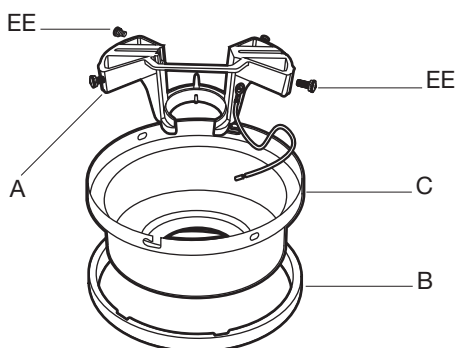


To hang your fan where there is an existing fixture but no ceiling joist, you may need an installation hanger bar (not included) as shown above.

Assembly

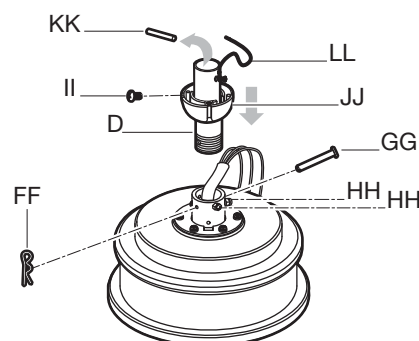
1 Preparing the canopy

- Remove the canopy ring (B) from the canopy (C).
- Remove the two non-slotted canopy mounting screws with lock washers (EE) from the canopy (C), and loosen the slotted canopy mounting screws with lock washers (EE) on the canopy (C).
- Remove the canopy (C) from the mounting bracket (A) by turning the canopy (C) counterclockwise.



2 Preparing the motor

- Remove the cotter pin (FF) and clevis pin (GG), and loosen the two collar setscrews (HH) from the motor collar.
- Take out the setscrew (II) located in the hanger ball (JJ), lower the hanger ball and remove the cross pin (KK). Remove the hanger ball (JJ) from the hanger ball/downrod assembly (D).
- Remove the ground lead (LL) from the downrod assembly (D).



3 Assembling the fan

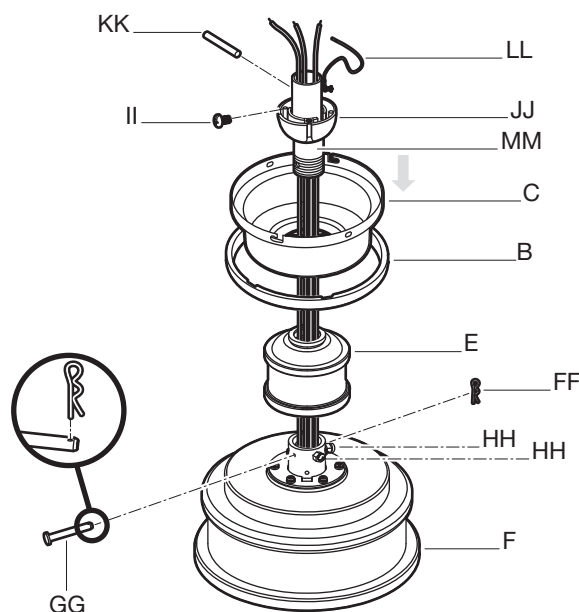


WARNING: Failure to properly install the cotter pin (FF) could result in the fan loosening and possibly falling.



NOTE: If a longer downrod (not included) is needed, take out the screw located in the hanger ball (JJ), lower the hanger ball (JJ) and remove the cross pin (KK). Remove all three pieces from the downrod and assemble them onto the new longer downrod before proceeding to the downrod installation.

- Carefully feed the motor wires up through the downrod (MM). Thread the downrod (MM) into the collar.
- Align the holes and replace the clevis pin (GG) and cotter pin (FF). Tighten the two collar setscrews (HH).
- Slip coupling cover (E), canopy ring (B), and canopy (C) onto the downrod (MM).
- Carefully reinstall the hanger ball (JJ) onto the downrod (MM) and reinstall the ground lead (LL) onto the downrod (MM), being sure that the cross pin (KK) is in the correct position, the setscrew (II) is tightened and wires are not twisted.



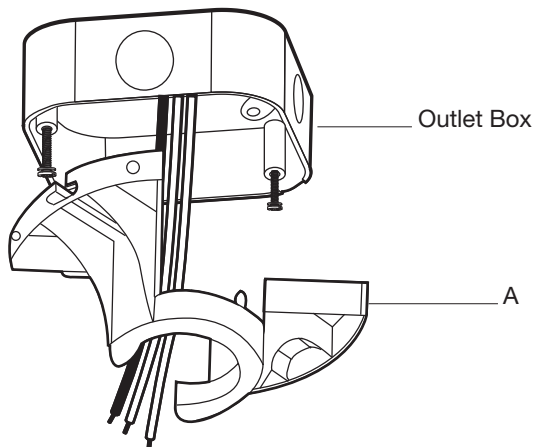
Assembly – Hanging the Fan

4 Installing the mounting bracket to the electrical box



WARNING: To reduce the risk of fire, electric shock or other personal injury, mount the fan only to an outlet box or supporting system marked acceptable for fan support and use the mounting screws provided with the outlet box.

- Pass the 120-volt supply wires through the center hole in the mounting bracket (A).
- Attach the mounting bracket (A) on the outlet box by sliding the mounting bracket (A) over the screws provided with the outlet box. Note that the flat side of the mounting bracket (A) is toward the outlet box.
- Securely tighten the two mounting screws.

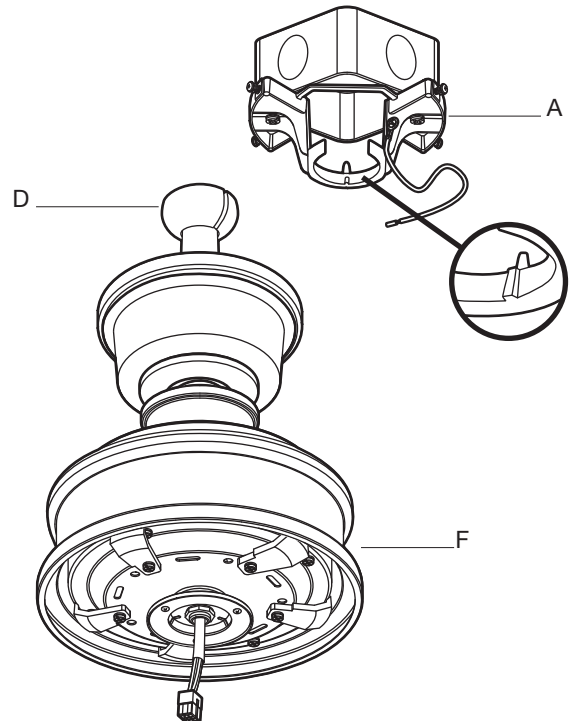


5 Hanging the fan to the mounting bracket



WARNING: The tab in the ring must rest in the groove of the hanger ball/downrod assembly (D). Failure to properly seat the tab in the groove could cause damage to the wiring.

- Carefully lift the fan motor assembly (F) up to the mounting bracket (A) and seat the hanger ball/downrod assembly (D) in the mounting bracket (A) socket. Make sure the tab on the mounting bracket (A) socket is properly seated in the groove in the hanger ball/downrod assembly (D). This will help to balance the ceiling fan.



Assembly — Hanging the Fan (continued)

6a Making the electrical connections



WARNING: To avoid possible electrical shock, be sure electricity is turned off at the main fuse box before wiring.



WARNING: Check to see that all connections are tight, including ground, and that no bare wire is visible at the wire nuts (except for the ground wire).



WARNING: To reduce the risk of fire or electric shock, do not use this fan with any solid-state speed control device.

If you feel you do not have enough electrical wiring knowledge or experience, have your fan installed by a licensed electrician.

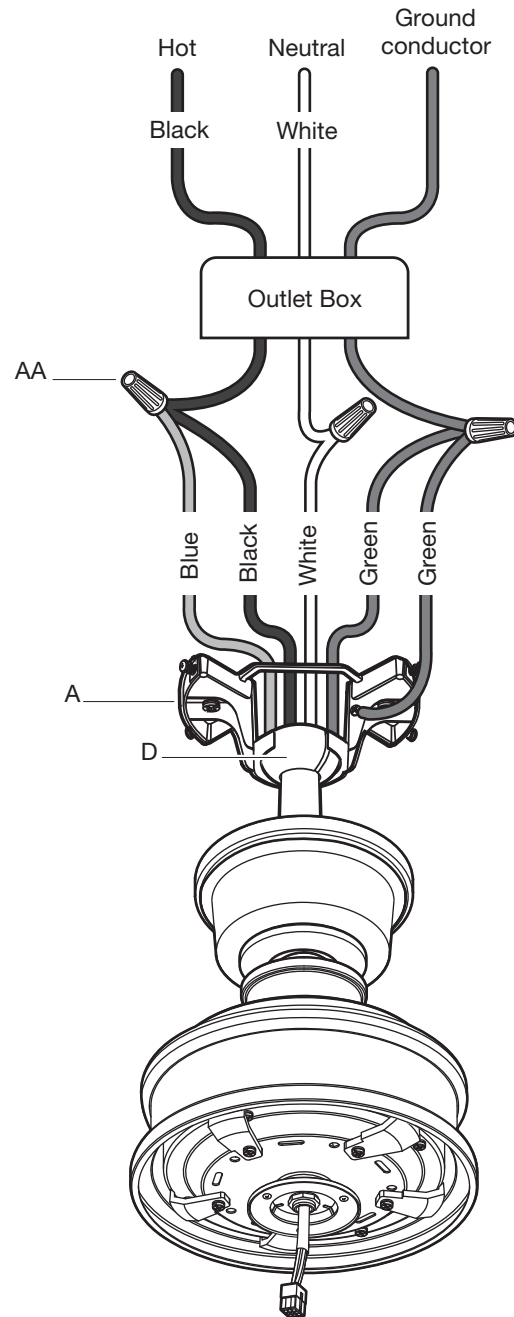
Follow the steps below to connect the fan to your household wiring. Use the plastic wire nuts (AA) with your fan. Secure the plastic wire nuts (AA) with electrical tape. Make sure there are no loose strands or connections.

- Make wire connections as follows, using the wire nuts (AA).

From Fan	To Outlet Box
Black + Blue Wires -----	Black Wire (Hot)
White Wire -----	White Wire (Neutral)
Green Wires* -----	Green or Bare Wire (Ground)

* There are two green grounding leads: one from the mounting bracket (A) and one from the hanger ball/ downrod assembly (D).

- Turn the wire nut connections upward, spreading them apart so the green (ground) and white wires will be on one side of the outlet box and the black and blue wires will be on the other side. Carefully tuck the connections up into the outlet box.

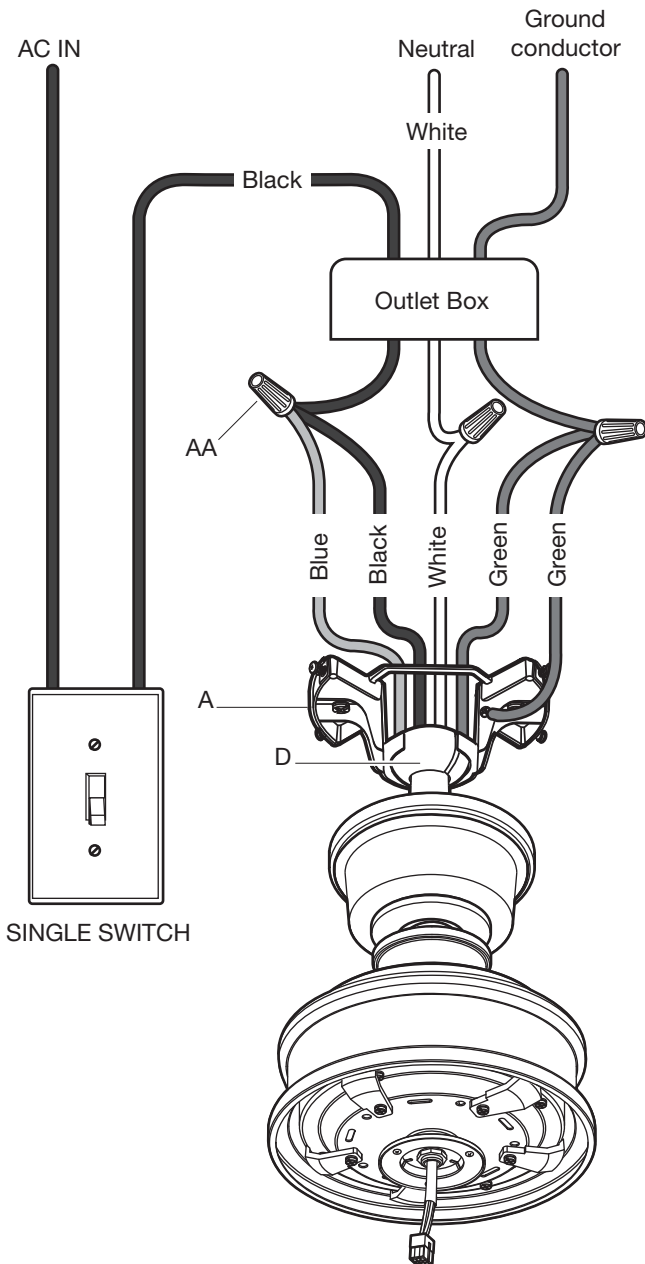


Assembly – Hanging the Fan (optional)

6b Single Switch Connections

- On a single switch the fan and light can be turned on or off together. Make wire connections as follows, using the wire nuts (AA). *Wall switch not included.*

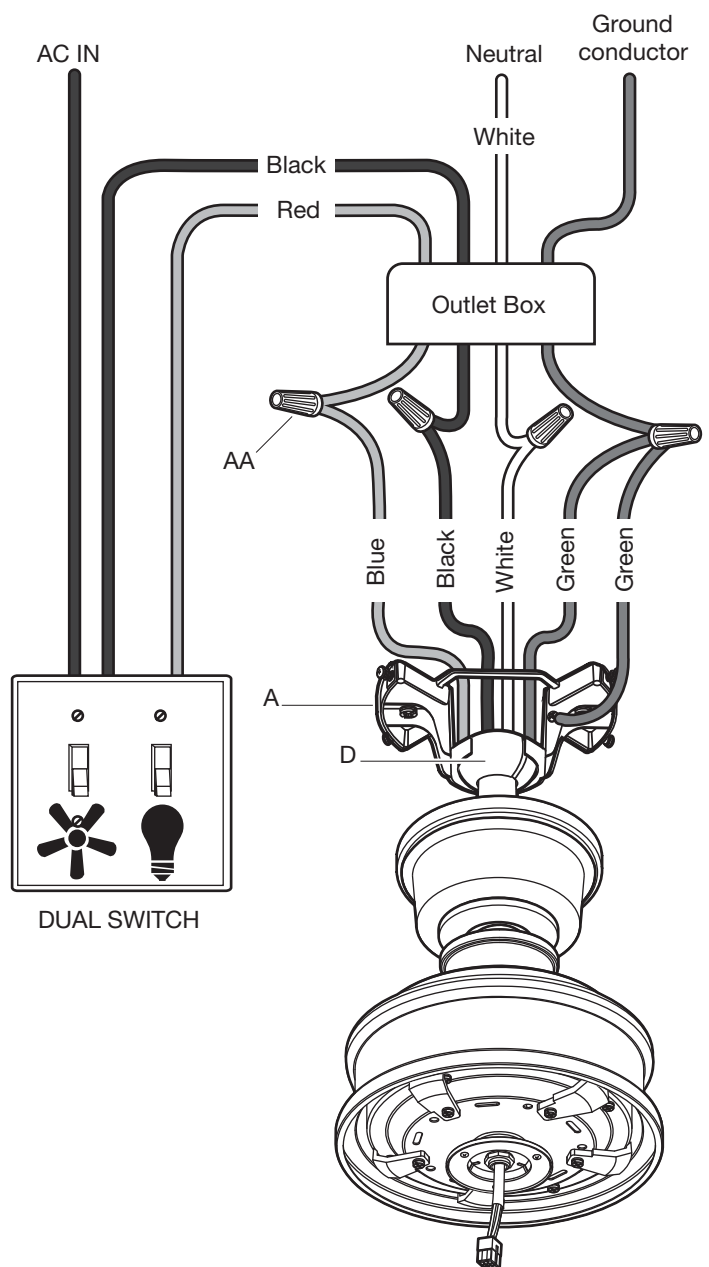
From Fan	To Outlet Box
Black + Blue Wires	Black Wire (Hot)
White Wire	White Wire (Neutral)
Green Wires*	Green or Bare Wire (Ground)



6c Dual Switch Connections

- On a dual switch the fan and light can be turned on or off separately. Make wire connections as follows, using the wire nuts (AA). *Wall switch not included.*

From Fan	To Outlet Box
Black Wire (for Fan)	Black Wire (Hot #1)
Blue Wire (for Light)	Red Wire (Hot #2)
White Wire	White Wire (Neutral)
Green Wires*	Green or Bare Wire (Ground)



Assembly – Hanging the Fan (continued)

7 Installing the canopy

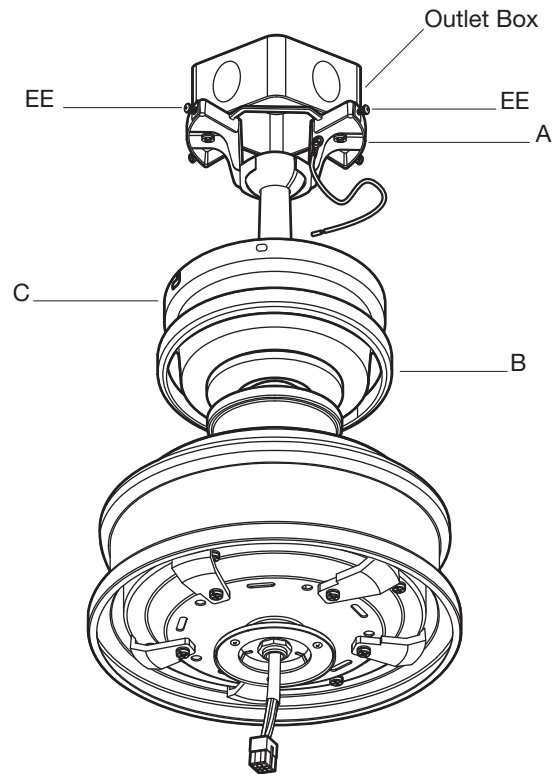


WARNING: Make sure the tab on the mounting bracket (A) properly sits in the groove in the hanger ball/downrod assembly (D) before attaching the canopy (C) to the mounting bracket (A) by turning the canopy (C) until it drops into place.



WARNING: The locking slots of the canopy (C) are provided only as an aid to mounting. Do not leave the fan assembly unattended until all four canopy mounting screws with lock washers (EE) are engaged and firmly tightened.

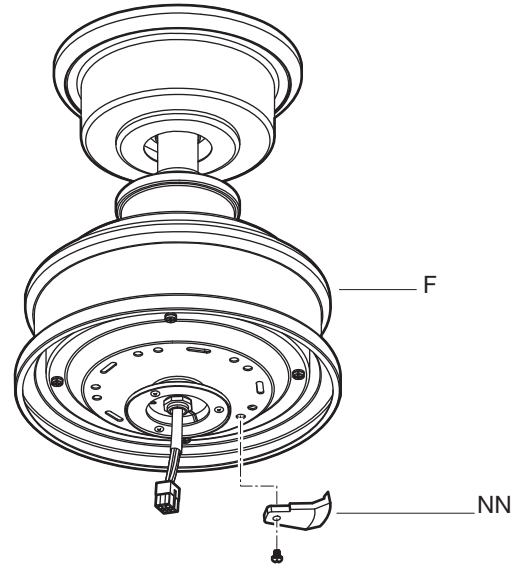
- Slide the canopy (C) up to the ceiling. Make sure you have placed the wires safely into the outlet box.
- Secure the canopy (C) to the mounting bracket (A) with the four canopy mounting screws with lock washers (EE) included with your fan.
- Slide the canopy ring (B) over the canopy (C) and tighten by turning the ring (B).



Assembly — Attaching the Fan Blades

8 Removing the rubber packing mounts

- The fan motor assembly (F) is shipped with rubber packing mounts (NN) to prevent movement during transportation. Remove the five rubber packing mounts (NN) from the fan motor assembly (F) and discard prior to attaching the blade arms (H).



9 Attaching the blades to the blade arms



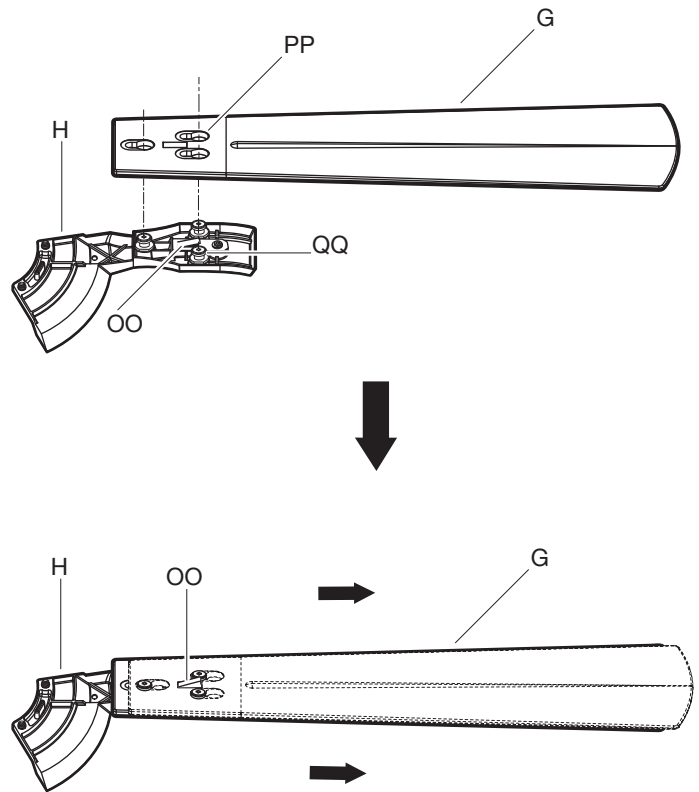
WARNING: Failure to properly seat the blades (G) on the blade arms (H) and engage in the spring locking mechanism (OO) could result in the fan blades (G) loosening and possibly falling.

To install the blade to the blade arm:

- Hold the blade (G) with hands close to the blade arm (H), align the key-slot holes (PP) with the blade arm posts (QQ) and press the blade down firmly. Ensure the key-slot holes (PP) are properly seated on the blade arm posts (QQ).
- Firmly slide the blade (G) away from the blade arm (H) until the blade (G) engages in the spring locking mechanism (OO). Make sure the spring of the spring locking mechanism (OO) is upward and the butt of the spring locking mechanism (OO) is against the edge of the blade.

To detach the blade from the blade arm:

- Press down the spring locking mechanism (OO) to release the blade (G) from the blade arm (H). Slide the blade (G) toward the blade arm (H) until the blade (G) disengages from the spring locking mechanism (OO), carefully push the blade (G) up to detach from the blade arm (H).



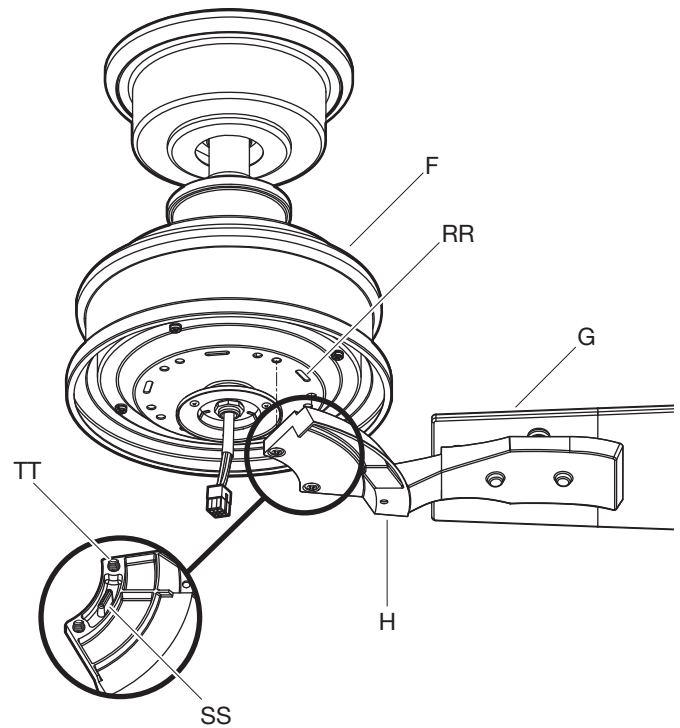
Assembly – Attaching the Fan Blades (continued)

10 Fastening the blade assemblies to the motor



WARNING: To reduce the risk of personal injury, do not bend the blade arms (H) while installing, balancing the blades (G), or cleaning the fan. Do not insert foreign objects between rotating fan blades (G).

- Fasten the blade assemblies to the fan motor assembly (F) by lining up the slots of the motor (RR) with the tabs (SS) on the blade arms (H).
- Tighten the two blade arm screws with lock washers (TT) already installed in the blade arms (H).
- Repeat this procedure for the remaining blade arms (H).



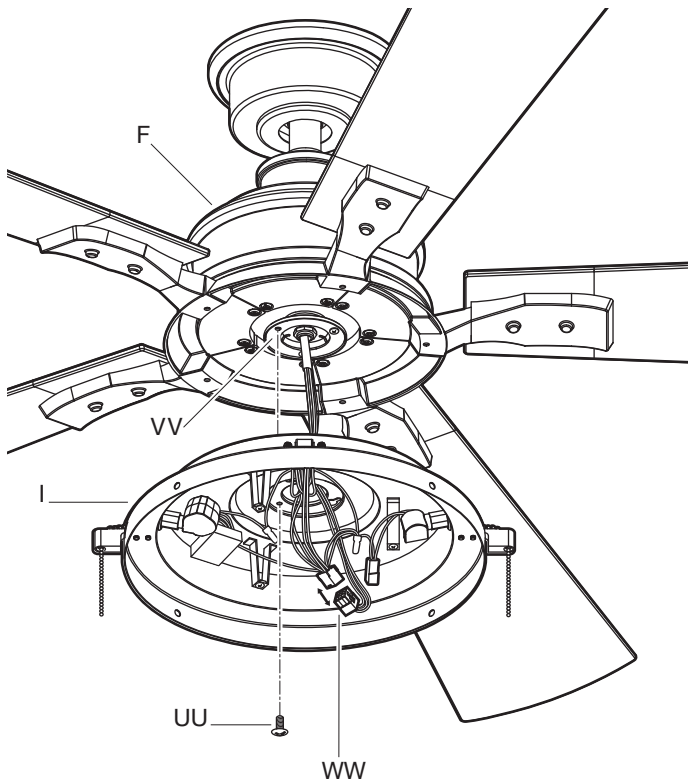
Assembly – Installing the Light Kit

11 Attaching the switch housing to the mounting ring



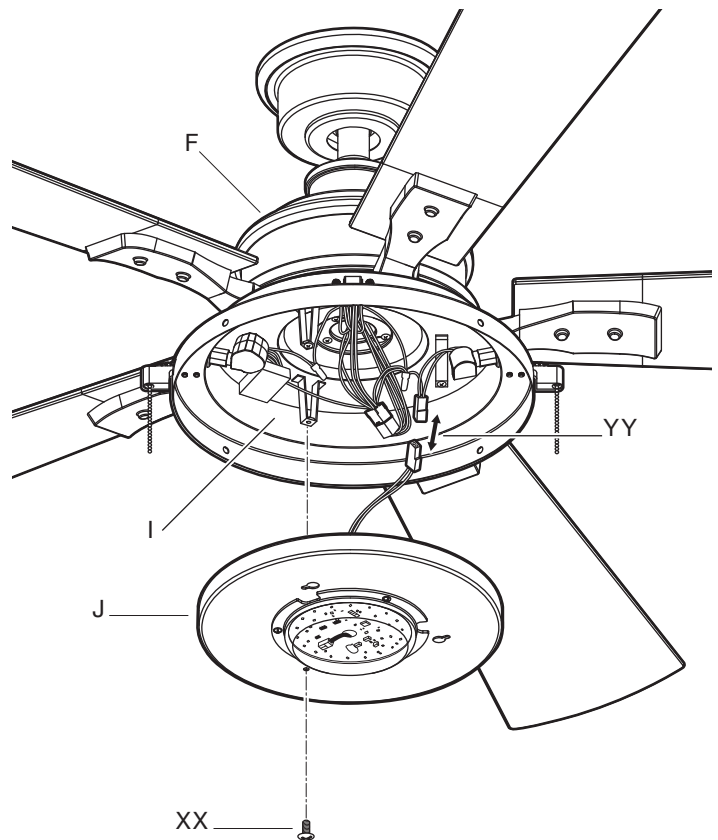
CAUTION: Before starting installation, disconnect the power by turning off the circuit breaker or removing the fuse at the fuse box. Turning power off using the fan switch is not sufficient to prevent electric shock.

- Remove one of the three switch housing mounting screws (UU) from the mounting ring (VV) and loosen the other two screws (UU). (Do not remove.)
- While holding the switch housing (I) under the fan motor assembly (F), snap together the wire connection plugs (WW).
- Place the key holes in the switch housing (I) over the two screws (UU) previously loosened from the mounting ring (VV). Turn the switch housing (I) until the switch housing (I) locks in place at the narrow section of the key holes.
- Securely tighten the two switch housing mounting screws (UU) previously loosened and the one previously removed.



12 Attaching the light kit to the switch housing

- Remove one of the three light kit mounting screws (XX) from the switch housing (I) and loosen the other two screws (XX). (Do not remove.)
- While holding the 20W LED light kit (J) under your fan motor assembly (F), make the polarized plug connections (YY):
 - White to white
 - Black to blue
- Carefully push all wires back into the switch housing (I). Place the key holes in the 20W LED light kit (J) over the two mounting screws (XX) previously loosened from the switch housing (I). Turn the 20W LED light kit (J) until the 20W LED light kit (J) locks in place at the narrow section of the key holes. Secure by tightening the two light kit mounting screws (XX) previously loosened and the one previously removed.



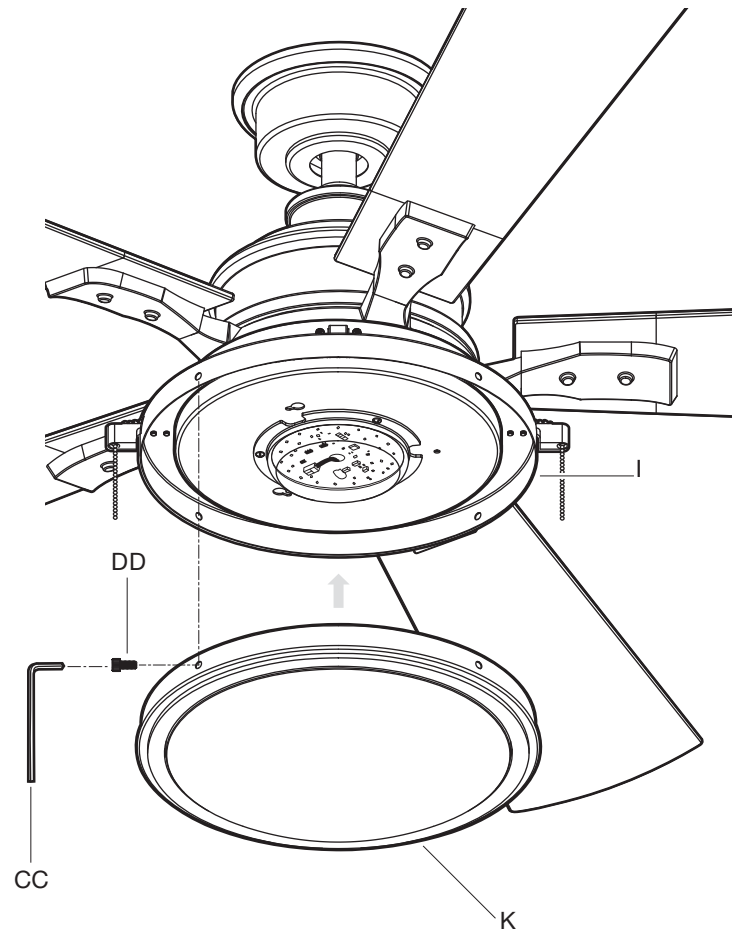
Assembly – Installing the Light Kit (continued)

13 Installing the light plastic shade assembly



CAUTION: Before starting installation, disconnect the power by turning off the circuit breaker or removing the fuse at the fuse box. Turning power off using the fan switch is not sufficient to prevent electric shock.

- Raise the plastic shade assembly (K) up against the switch housing (I), and use the four hex screws (DD) to tighten it firmly with a hex wrench (CC).



Operation

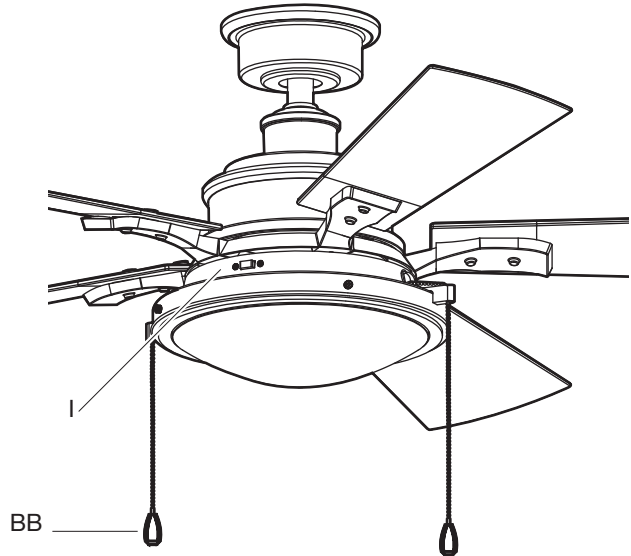
PULL CHAIN OPERATING INSTRUCTIONS

Install two pull chains and fobs (BB) onto the pull chains located in the switch housing (I). Turn on the power and check the operation of the fan.

The pull chain controls the fan speed as follows:
1 pull - High, 2 pulls - Medium, 3 pulls - Low, and 4 pulls - Off.

Speed settings for warm or cool weather depend on factors such as the room size, ceiling height, and numbers of fans.

To turn the light kit on or off, pull the chain that is attached to the switch housing (I).

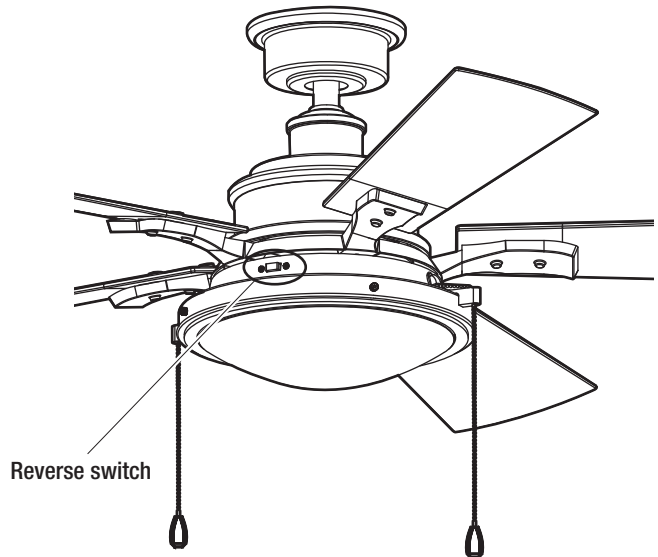


REVERSE SWITCH OPERATING INSTRUCTIONS

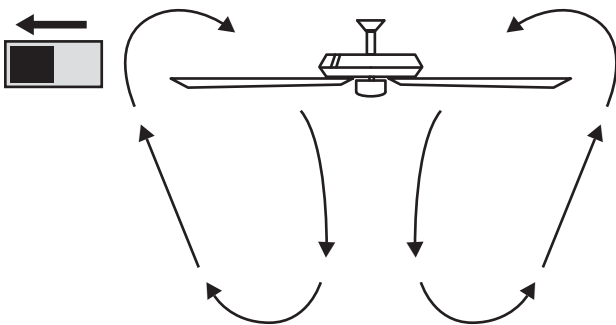
The reverse switch is located on the surface of the switch housing. Slide the switch to the left for warm weather operation. Slide the switch to the right for cool weather operation.



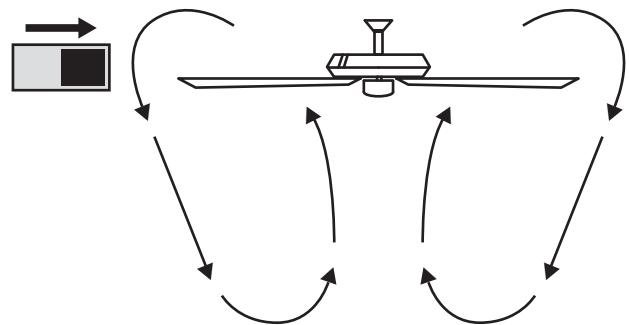
NOTE: Wait for the fan to stop before reversing the direction of the blade rotation.



Warm weather - (Counterclockwise Direction) A downward air flow creates a cooling effect. This allows you to set your air conditioner on a warmer setting without affecting your comfort.



Cool weather - (Clockwise Direction) An upward air flow moves warm air off the ceiling. This allows you to set your heating unit on a cooler setting without affecting your comfort.



Care and Cleaning

Do

- Check the support connections, brackets, and blade attachments twice a year. Make sure they are secure. Because of the fan's natural movement, some connections may become loose over time. It is not necessary to remove the fan from the ceiling.
- Clean your fan periodically. Use only a soft brush or lint-free cloth to avoid scratching the finish. The plating is sealed with a lacquer to minimize discoloration or tarnishing.
- (Optional) Apply a light coat of furniture polish to the wood blades.
- (Optional) Cover small scratches with a light application of shoe polish.

Do not

- Use water when cleaning. Water could damage the motor, or the wood, or possibly cause an electrical shock.
- Apply oil to your fan or motor. The motor has permanently-lubricated sealed ball bearings.

Troubleshooting



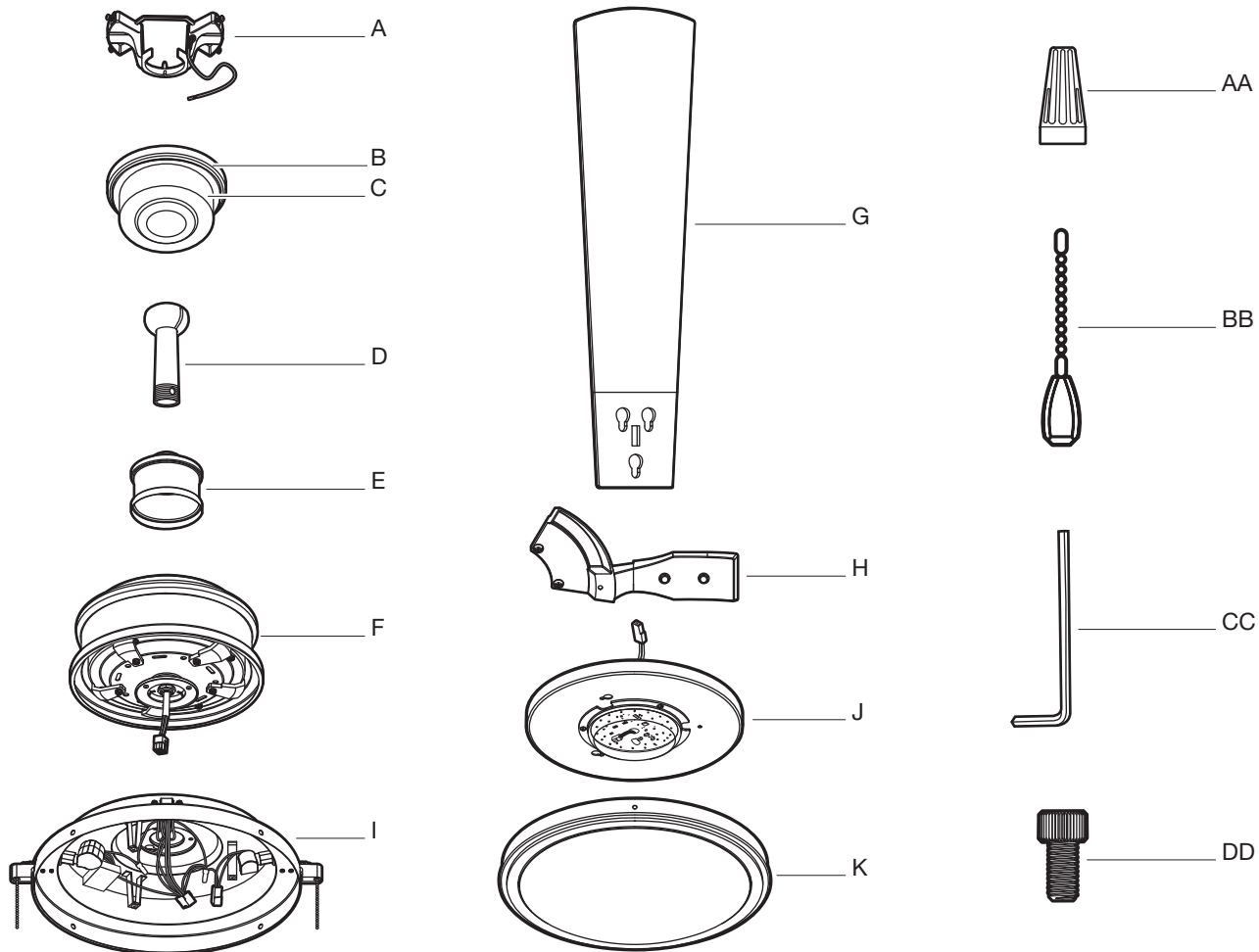
WARNING: Make sure the power is off at the electrical panel box before you attempt any repairs. Refer to step 6 "Making the electrical connections" on page 10.

Problem	Solution
The fan will not start.	<input type="checkbox"/> Check the main and branch circuit fuses or breakers.
	<input type="checkbox"/> Check the line wire connections to the fan and switch wire connections in the switch housing.
The fan sounds noisy.	<input type="checkbox"/> Make sure all motor housing screws are snug.
	<input type="checkbox"/> Make sure the screws that attach the fan blade arm to the motor hub are tight.
	<input type="checkbox"/> Make sure the wire nut connections are not rattling against each other or the interior wall of the switch housing.
	<input type="checkbox"/> Allow a 24-hour "breaking-in" period. Most noises associated with a new fan disappear during this time.
	<input type="checkbox"/> If using the ceiling light kit, make sure the screws securing the glassware are tight. Check that the light bulbs are also secure.
	<input type="checkbox"/> Make sure there is a short distance from the ceiling to the canopy. It should not touch the ceiling.
	<input type="checkbox"/> Make sure your ceiling box is secure and that rubber isolator pads are used between the mounting bracket and outlet box.

Troubleshooting (continued)

Problem	Solution
The fan wobbles.	<ul style="list-style-type: none"><li data-bbox="397 296 1485 380">□ Verify that all blades and blade bracket screws are secure (most fan wobble problems are caused by loose parts). Once the fan is properly installed, run the ceiling fan for 10 minutes to let the fan self-adjust. <p data-bbox="446 411 1477 436">If wobble occurs after running the fan for 10 minutes, verify blade level using the following process:</p> <ul style="list-style-type: none"><li data-bbox="446 468 1502 583">- Select a point on the ceiling above the tip of one of the blades, then select any fan blade and measure from the center of the selected blade to the point on the ceiling. Rotate the fan until the next blade is positioned and repeat the measurement using the same point from the ceiling for every blade. Measurement deviations should be within 1/8 in..<li data-bbox="446 615 1494 674">- If all deviations are less than 1/8 in. and the fan continues to wobble, please call Customer Service (1-800-986-3460) to order a complimentary Blade Balancing Kit.<li data-bbox="446 705 1377 764">- If deviation is greater than 1/8 in. , please call Customer Service (1-800-986-3460) to order complimentary replacements of your brackets.

Service Parts



Part	Description
A	Mounting bracket (preassembled)
B	Canopy ring (preassembled)
C	Canopy
D	Hanger ball/downrod assembly
E	Coupling cover
F	Fan motor assembly
G	Blade
H	Blade arm
I	Switch housing
J	20W LED Light kit
K	Plastic shade assembly

Part	Description
AA	Plastic wire nut
BB	Pull chain and fob
CC	Hex wrench
DD	Hex screw

HOME
DECORATORS
COLLECTION®

Questions, problems, missing parts? Before returning to the store,
call Home Decorators Collection Customer Service
8 a.m. - 7 p.m., EST, Monday - Friday, 9 a.m.- 6 p.m., EST, Saturday

1-800-986-3460

HOMEDEPOT.COM/HOMEDECORATORS

Retain this manual for future use.