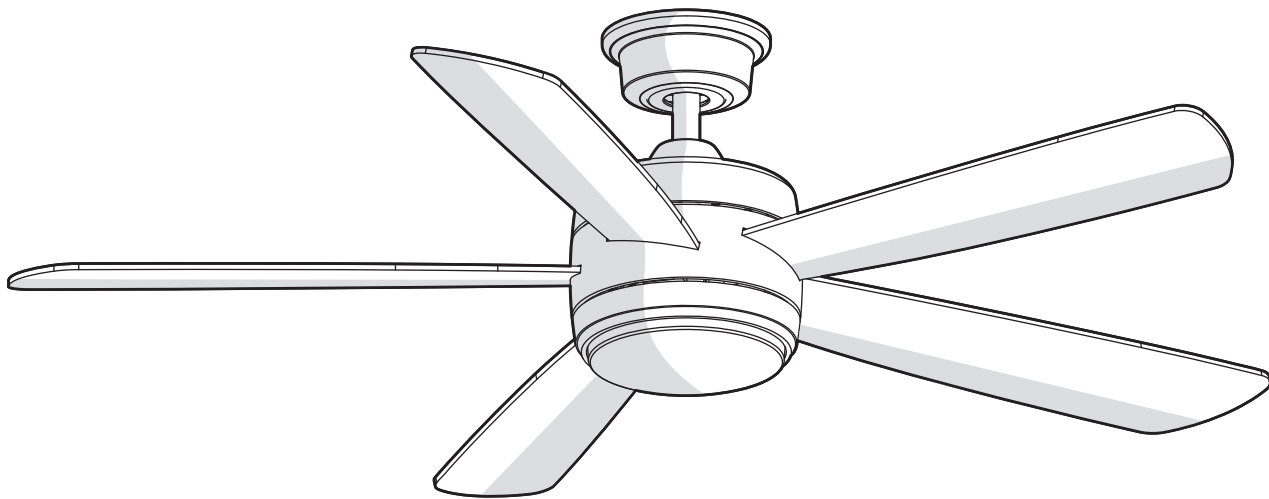


Item #1005 092 311
#1005 092 078
#1005 462 891
Model #AK18B-BN
#AK18B-MBK
#AK18B-MWH

HAMPTON BAY[®]

USE AND CARE GUIDE

AVERLY 52 IN. CEILING FAN



Questions, problems, missing parts? Before returning to the store,
call Hampton Bay Customer Service
8 a.m. - 7 p.m., EST, Monday-Friday, 9 a.m. - 6 p.m., EST Saturday

1-855-HD-HAMPTON

HAMPTONBAY.COM



Visual instruction of how to install this fan:
Visit www.homedepot.com and enter either the Item or Model number to find
this fan and click the link of visual instruction in the product overview section.

THANK YOU

We appreciate the trust and confidence you have placed in Hampton Bay through the purchase of this ceiling fan. We strive to continually create quality products designed to enhance your home. Visit us online to see our full line of products available for your home improvement needs. Thank you for choosing Hampton Bay!

Table of Contents

Table of Contents	2	Operation	16
Safety Information	3	Reverse Switch Operating Instructions	17
Warranty	4	Care and Cleaning	17
Pre-Installation	4	Troubleshooting	18
Specifications	4	Service Parts	19
Tools Required	4		
Hardware Included	5		
Package Contents	6		
Installation	7		
Assembly	8		
Hanging the Fan	9		
Attaching the Fan Blades	13		
Installing the Light Kit	14		

READ AND SAVE THESE INSTRUCTIONS

Safety Information

1. To reduce the risk of electric shock, ensure electricity has been turned off at the circuit breaker or fuse box before beginning.
2. All wiring must be in accordance with the National Electrical Code "ANSI/NFPA 70-1999" and local electrical codes. Electrical installation should be performed by a qualified licensed electrician.
3. The outlet box and support structure must be securely mounted and capable of reliably supporting a minimum of 35 lbs (15.9 kg) or less. Use only UL-listed outlet boxes marked "FOR FAN SUPPORT."
4. The fan must be mounted with a minimum of 7 ft. (2.1m) clearance from the trailing edge of the blades to the floor.
5. Avoid placing objects in the path of the blades.
6. To avoid personal injury or damage to the fan and other items, be cautious when working around or cleaning the fan.
7. Do not use water or detergents when cleaning the fan or fan blades. A dry dust cloth or lightly dampened cloth will be suitable for most cleaning.
8. After making electrical connections, spliced conductors should be turned upward and pushed carefully up into the outlet box. The wires should be spread apart with the grounded conductor and the equipment-grounding conductor on one side of the outlet box and ungrounded conductor on the other side of the outlet box.
9. All setscrews must be checked and retightened where necessary before installation.
10. Suitable for use with solid-state speed control (AP-8RDL only).
11. This device complies with part 15 of the FCC Rules. Operation is subject to the following two conditions: (1) This device may not cause harmful interference, and (2) this device must accept any interference received, including interference that may cause undesired operation.

Warning: Changes or modifications to this unit not expressly approved by the party responsible for compliance could void the user's authority to operate the equipment.

NOTE: This equipment has been tested and found to comply with the limits for a Class B digital device, pursuant to Part 15 of the FCC Rules. These limits are designed to provide reasonable protection against harmful interference in a residential installation. This equipment generates, uses and can radiate radio frequency energy and, if not installed and used in accordance with the instructions, may cause harmful interference to radio communications.

However, there is no guarantee that interference will not occur in a particular installation. If this equipment does cause harmful interference to radio or television reception, which can be determined by turning the equipment off and on, the user is encouraged to try to correct the interference by one or more of the following measures:

- Reorient or relocate the receiving antenna.
- Increase the separation between the equipment and receiver.
- Connect the equipment into an outlet on a circuit different from that to which the receiver is connected.
- Consult the dealer or an experienced radio/TV technician for help.

The following responsible party designated in FCC §2.909 is responsible for this declaration:

Model Number: AK18B-BN, AK18B-MBK, AK18B-MWH
Company Name: TAL INTERNATIONAL CORPORATION
Company Address: 2919 E. Philadelphia St., Ontario, CA 91761, U.S.A.
Full Name: James Lai Title: Manager
Telephone Number: (909) 923-2888 Fax: (909) 923-8337



WARNING: To reduce the risk of electric shock, this fan must be installed with an isolating wall control/switch.



WARNING: To reduce the risk of personal injury, do not bend the blade arms (also referred to as flanges), when installing the brackets, balancing the blades or cleaning the fan.



WARNING: Do not insert foreign objects between rotating fan blades.



WARNING: To reduce the risk of fire, electric shock or personal injury, mount the fan to the outlet box marked acceptable for fan support with the screws provided with the outlet box.



CAUTION: To reduce the risk of personal injury, use only the screws provided with the outlet box.

Warranty

The manufacturer warrants the fan motor to be free from defects in workmanship and material present at time of shipment from the factory for a period of lifetime after the date of purchase by the original purchaser. The manufacturer warrants the light kit (excluding any glass), to be free from defects in workmanship and material at the time of shipment from the factory for a period of three years after the date of purchase by the original purchaser. The manufacturer also warrants that all other fan parts, excluding any glass or acrylic blades, to be free from defects in workmanship and material at the time of shipment from the factory for a period of one year after the date of purchase by the original purchaser. We agree to correct such defects without charge or at our option replace with a comparable or superior model if the product is returned. To obtain warranty service, you must present a copy of the receipt as proof of purchase. All costs of removing and reinstalling the product are your responsibility. Damage to any part such as by accident, misuse, improper installation or by affixing any accessories, is not covered by this warranty. Because of varying climatic conditions this warranty does not cover any changes in brass finish, including rusting, pitting, corroding, tarnishing or peeling. Brass finishes of this type give the longest useful life when protected from varying weather conditions. A certain amount of "wobble" is normal and should not be considered a defect. Servicing performed by unauthorized persons shall render the warranty invalid. There is no other express warranty. We hereby disclaim any and all warranties, including but not limited to those of merchantability and fitness for a particular purpose to the extent permitted by law. The duration of any implied warranty which cannot be disclaimed is limited to the time period as specified in the express warranty. Some states do not allow limitation on how long an implied warranty lasts, so the above limitation may not apply to you. The retailer shall not be liable for incidental, consequential, or special damages arising out of or in connection with product use or performance except as may otherwise be accorded by law. Some states do not allow the exclusion of incidental or consequential damages, so the above exclusion or limitation may not apply to you. This warranty gives specific legal rights, and you may also have other rights which vary from state to state. This warranty supersedes all prior warranties. Shipping costs for any return of product as part of a claim on the warranty must be paid by the customer.

Contact the Customer Service Team at 1-855-HD-HAMPTON or visit www.hamptonbay.com.

Pre-Installation

SPECIFICATIONS

Fan size	Speed	Volts	Amps	Watts	RPM	CFM	N.W.	G.W.	C.F.
52 in.	Low	120	0.31	13.58	73	1973	8.16 kgs (18.00 lbs)	9.30 kgs (20.50 lbs)	1.8 cu. ft.
	Medium		0.42	36.62	131	3652			
	High		0.52	62.67	177	4778			



NOTE: These are approximate measures. They do not include amps and wattage used by the light kit.



TOOLS REQUIRED



Pre-Installation (continued)

HARDWARE INCLUDED



NOTE: Hardware not shown to actual size.



AA



BB



CC

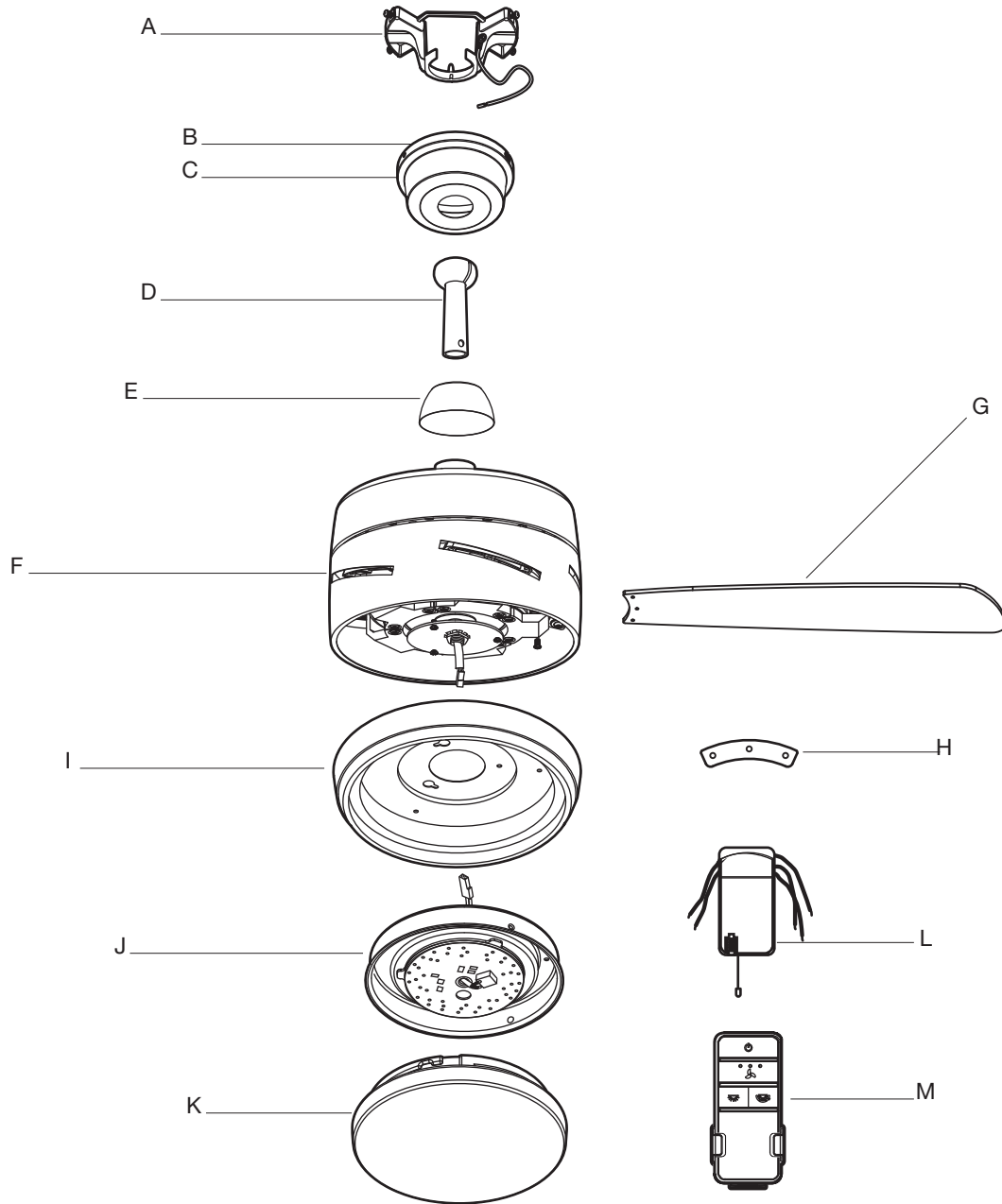


DD

Part	Description	Quantity
AA	Plastic wire nut	3
BB	Blade attachment screw with lock washer	16
CC	Plastic wire nut	6
DD	23A 12V battery	1

Pre-Installation (continued)

PACKAGE CONTENTS



Part	Description	Quantity
A	Mounting bracket (preassembled)	1
B	Canopy ring (preassembled)	1
C	Canopy	1
D	Hanger ball/downrod assembly	1
E	Coupling cover	1
F	Fan motor assembly	1
G	Blade	5

Part	Description	Quantity
H	Blade support plate	5
I	Light kit mounting plate	1
J	20W LED Light kit	1
K	Glass shade	1
L	Receiver	1
M	Remote control	1

Installation

MOUNTING OPTIONS



WARNING: To reduce the risk of fire, electric shock, or personal injury, mount the fan to an outlet box marked acceptable for fan support using the screws provided with the outlet box. An outlet box commonly used for the support of lighting fixtures may not be acceptable for fan support and may need to be replaced. If in doubt, consult a qualified electrician.

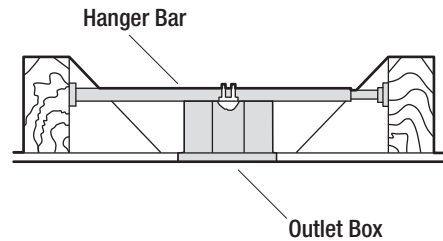
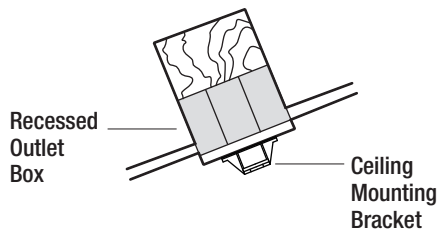
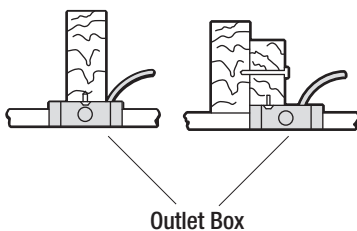
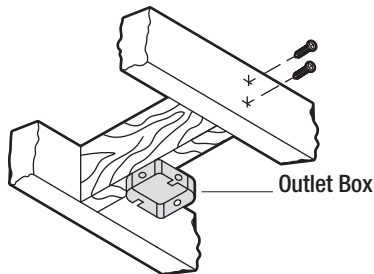


NOTE: You may need a longer downrod to maintain proper blade clearance when installing on a steep, sloped ceiling. The maximum angle allowable is 18° away from horizontal. If the canopy (C) touches the hanger ball/downrod assembly (D), then turn the canopy (C) 180° before attaching the canopy (C) to the mounting bracket (A).

If your ceiling fan does not have an existing UL-listed mounting box, then install one using the following instructions:

- Disconnect the power by removing the fuses or turning off the circuit breakers.
- Secure the outlet box (not included) directly to the building structure. Use appropriate fasteners and materials (not included). The outlet box and its bracing must be able to fully support the weight of the moving fan (at least 35 lbs.). Do not use a plastic outlet box.

The illustrations below show three different ways to mount the outlet box (not included).

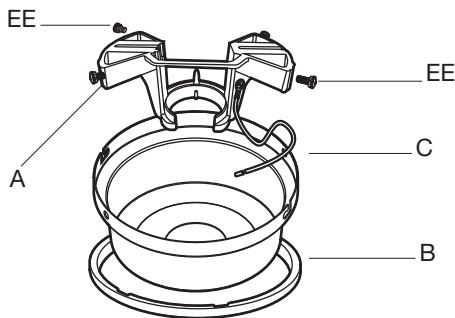


To hang your fan where there is an existing fixture but no ceiling joist, you may need an installation hanger bar (not included) as shown above.

Assembly

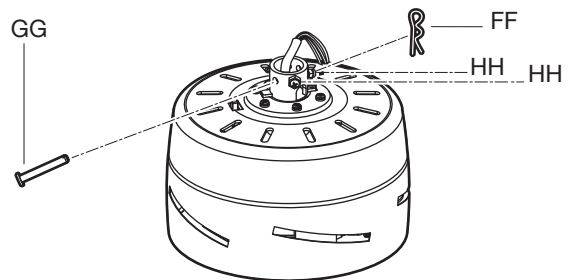
1 Preparing the canopy

- Remove the canopy ring (B) from the canopy (C).
- Remove the two non-slotted canopy mounting screws with lock washers (EE) from the canopy (C), and loosen the slotted canopy mounting screws with lock washers (EE) on the canopy (C).
- Remove the canopy (C) from the mounting bracket (A) by turning the canopy (C) counterclockwise.



2 Preparing the motor

- Remove the cotter pin (FF), and clevis pin (GG), and loosen the two collar setscrews (HH) from the motor collar.



3 Assembling the fan



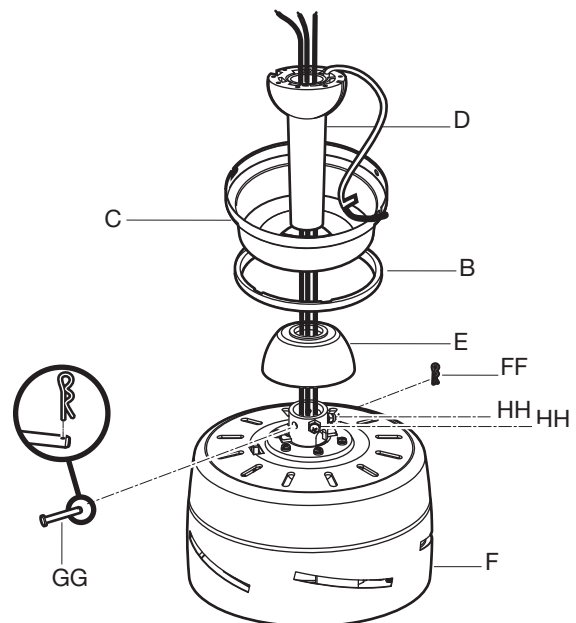
WARNING: Failure to properly install the cotter pin (FF) could result in the fan becoming loose and possibly falling.



NOTE: If a longer downrod is needed (not included), take out the screw located in the hanger ball, lower the hanger ball and remove the pin. Remove all three pieces from the downrod, and assemble them onto the new longer downrod before proceeding step 3.

- Route the wires exiting from the top of the fan motor assembly (F) through the coupling cover (E). Ensure the slot openings are on top.
- Route the wires through the canopy (C) and then through the hanger ball/downrod assembly (D).
- Align the holes at the bottom of the hanger ball/downrod assembly (D) with the holes in the collar on top of the fan motor assembly (F).
- Carefully insert the clevis pin (GG) through the holes in the collar and the hanger ball/downrod assembly (D). Be careful not to jam the clevis pin (GG) against the wiring inside the hanger ball/downrod assembly (D).

- Insert the cotter pin (FF) through the hole near the end of the clevis pin (GG) until it snaps into the locked position.
- Tighten the two collar setscrews (HH) on top of the fan motor assembly (F) firmly.



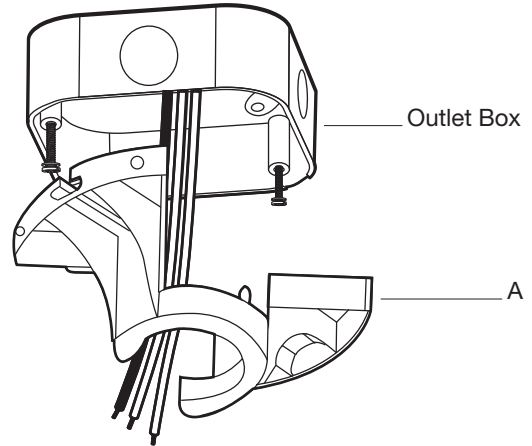
Assembly — Hanging the Fan

4 Attaching the fan to the electrical box



WARNING: To reduce the risk of fire, electric shock or other personal injury, mount the fan only to an outlet box or supporting system marked acceptable for fan support and use the mounting screws provided with the outlet box.

- Pass the 120-volt supply wires through the center hole in the mounting bracket (A).
- Attach the mounting bracket (A) on the outlet box by sliding the mounting bracket (A) over the screws provided with the outlet box.
- Securely tighten the two mounting screws.

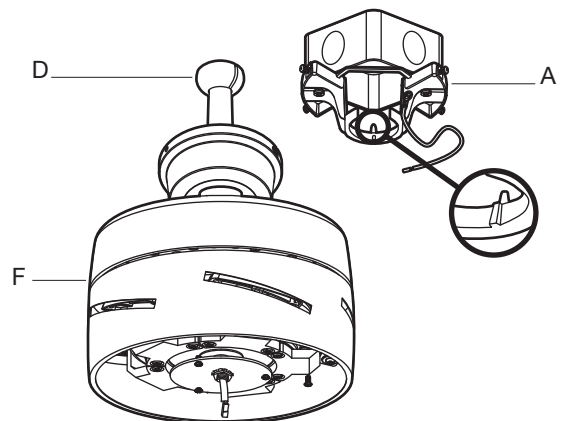


5 Hanging the fan to the mounting bracket



WARNING: The tab in the ring must rest in the groove of the hanger ball (D). Failure to properly seat the tab in the groove could cause damage to the wiring.

- Carefully lift the fan motor assembly (F) up to the mounting bracket (A) and seat the hanger ball (D) in the mounting bracket (A) socket. Make sure the tab on the mounting bracket (A) socket is properly seated in the groove in the hanger ball (D). This will help to balance the ceiling fan.



Assembly — Hanging the Fan (continued)

6 Preparing the receiver and remote control



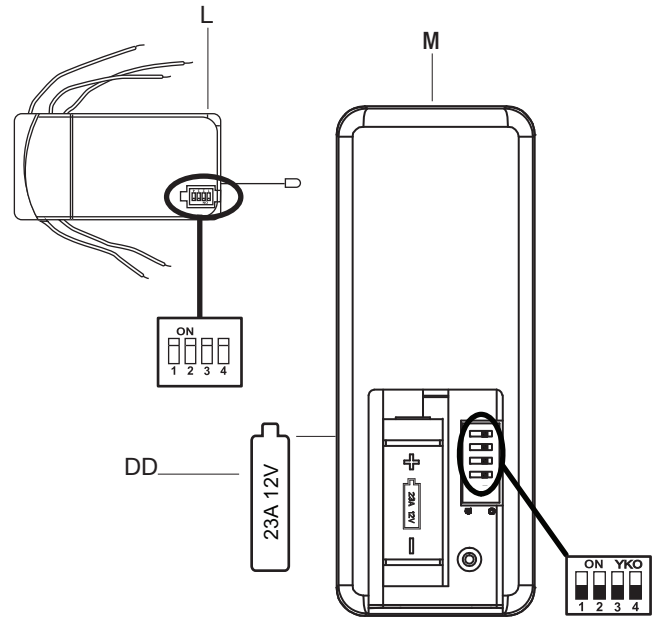
NOTE: The frequencies on your receiver and remote control have been preset at the factory. Before installing the receiver, make sure the dip switches on the receiver and remote control are set to the same frequency. The dip switches on the remote control are located inside the battery compartment.



NOTE: The battery will weaken with age and should be replaced before leaking takes place as this will damage the remote control. Dispose of the used battery properly and keep the battery out of the reach of children.



NOTE: The frequency switches on the receiving unit are covered with a rubber cover, remove the rubber cover and then replace it after making any changes to the frequency switches.

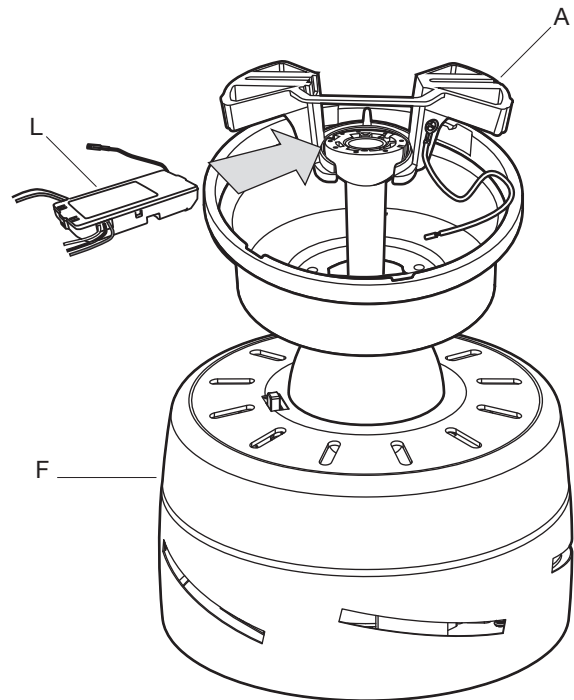


Setting the Code on the Remote:

- ❑ Remove the battery cover on the back of the remote control (M) by pressing firmly on the arrow and sliding the cover off.
- ❑ Slide the code switches to your choice of either up or down. The factory setting is up.
- ❑ Install the 23A 12V battery (DD) (included).
- ❑ Replace the battery cover on the remote control (M).

Setting the Code on the Receiver:

- ❑ Slide the code switches on the receiver (L) to the same positions as set on the remote control (M).
- ❑ After checking the switches, insert the receiver (L) into the mounting bracket (A) with the flat side of the receiver (L) facing the ceiling.



Assembly – Hanging the Fan (continued)

7 Making the electrical connections



WARNING: Check to see that all connections are tight, including ground, and that no bare wire is visible at the wire nuts, except for the ground wire.



CAUTION: Do not use with a wall light dimmer switch.



NOTE: The fan must be installed at a maximum distance of 20 ft. from the remote control for proper signal transmission between the remote control and the fan's receiving unit.

If you feel you do not have enough electrical wiring knowledge or experience, have your fan installed by a licensed electrician.

Follow the steps below to connect the fan to your household wiring. Use the plastic wire nuts (AA or CC) with your fan. Secure the plastic wire nuts (AA or CC) with electrical tape. Make sure there are no loose strands or connections.

- Make wire connections from the fan to the receiver (L) and outlet box as follows, using the wire nuts (CC).

From Fan	To Receiver
Blue Wire -----	Blue Wire "For Light"
Black Wire -----	Black Wire "To Motor L"
White Wire -----	White Wire "To Motor N"

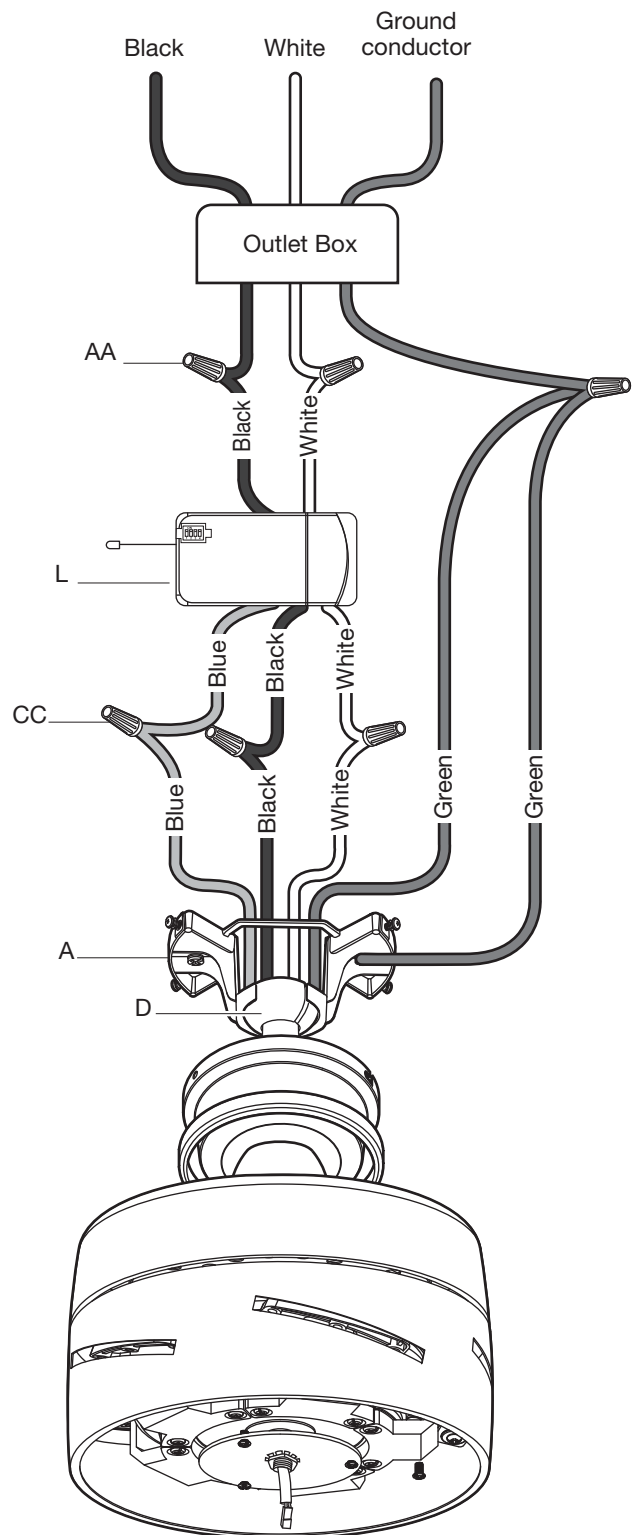
- Make wire connections from the receiver (L) and fan to the outlet box as follows, using the wire nuts (AA).

From Receiver	To Outlet Box
Black Wire "AC in L" -----	Black Wire (Hot)
White Wire "AC in N" -----	White Wire (Neutral)

From Fan	To Outlet Box
Green Wires* -----	Green or Bare Wire (Ground)

* There are two green grounding leads: one from the mounting bracket (A) and one from the hanger ball/downrod assembly (D).

- Turn the wire nut connections upward, spreading them apart so the green (ground) and white wires will be on one side of the outlet box and the black and blue wires will be on the other side. Carefully tuck the connections up into the outlet box.



Assembly — Hanging the Fan (continued)

8 Installing the canopy

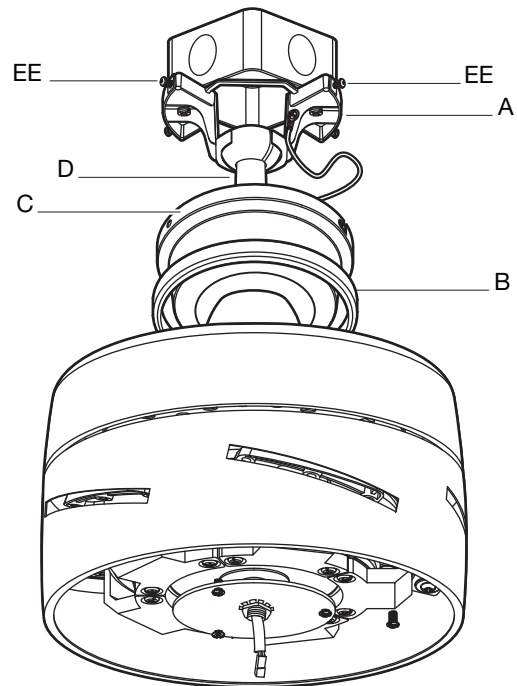


WARNING: Make sure the tab on the mounting bracket (A) properly sits in the groove in the hanger ball (D) before attaching the canopy (C) to the mounting bracket (A) by turning the canopy (C) until it drops into place.



WARNING: The locking slots of the canopy (C) are provided only as an aid to mounting. Do not leave the fan assembly unattended until all four canopy mounting screw with lock washer (EE) are engaged and firmly tightened.

- Make sure connections are neatly tucked into the ceiling outlet box.
- Slide the canopy (C) up to the ceiling. Make sure you have placed the wires safely into the outlet box.
- Secure the canopy (C) to the mounting bracket (A) with the four canopy mounting screw with lock washer (EE) included with your fan.
- Slide the canopy ring (B) over the canopy (C) and tighten by turning the ring (B).



Assembly — Attaching the Fan Blades

9 Attaching the fan blades



WARNING: To reduce the risk of personal injury, do not bend the blades (G) while installing, balancing the blades (G), or cleaning the fan.

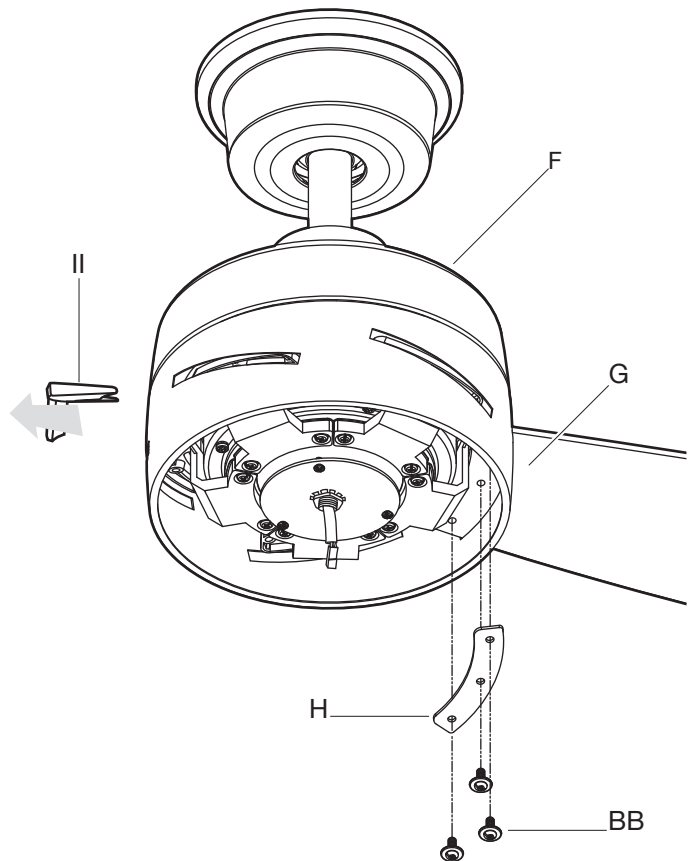


WARNING: Remove the three rubber packing mounts (II) from the fan motor assembly (F) and discard prior to attaching the blades (G).



WARNING: Do not insert foreign objects between rotating fan blades (G).

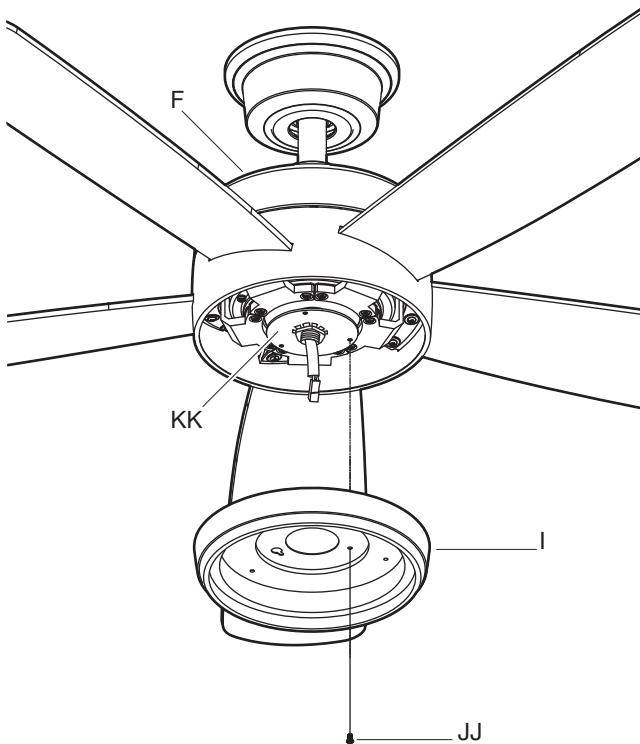
- Insert the blade (G) through the slot in the housing. Align the holes in the blade (G), the blade support plate (H), and the fan motor assembly (F) and secure with a blade attachment screw with lock washers (BB).
- Repeat this procedure with the remaining blades (G).



Assembly – Installing the Light Kit

10 Attaching the light kit mounting plate to the mounting ring

- Remove one of the three light kit mounting plate screws (JJ) from the mounting ring (KK) and loosen the other two screws. (Do not remove.)
- Place the key holes in the light kit mounting plate (I) over the two screws (JJ) previously loosened from the mounting ring (KK). Turn the light kit mounting plate (I) until the light kit mounting plate (I) locks in place at the narrow section of the key holes.
- Securely tighten the two light kit mounting plate screws (JJ) previously loosened and the one (JJ) previously removed.

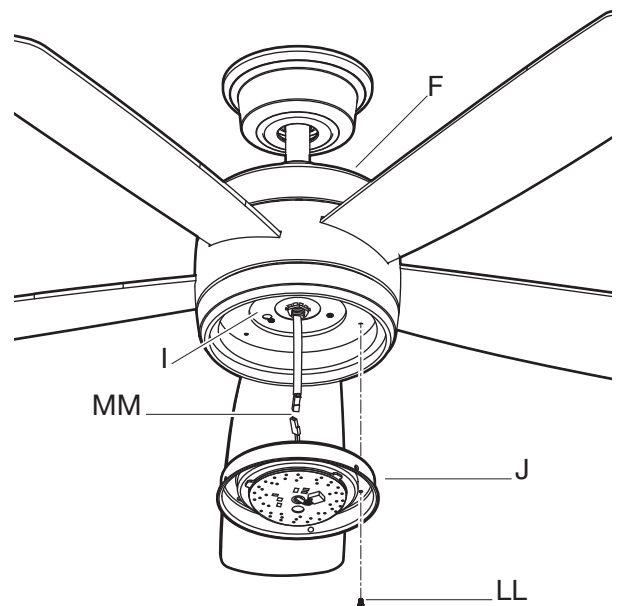


11 Attaching the light kit to the light kit mounting plate and glass shade



CAUTION: Before starting installation, disconnect the power by turning off the circuit breaker or removing the fuse at the fuse box. Turning power off using the fan switch is not sufficient to prevent electric shock.

- Remove one of the three light kit mounting screws (LL) from the light kit mounting plate (I) and loosen the other two screws (LL). (Do not remove.)
- While holding the 20W LED light kit (J) under the fan motor assembly (F), snap together the wire connection plugs (MM) :
 - White to white
 - Black to blue
- Place the key holes in the 20W LED light kit (J) over the two mounting screws (LL) previously loosened from the light kit mounting plate (I). Turn the 20W LED light kit (J) until the 20W LED light kit (J) locks in place at the narrow section of the key holes. Secure by tightening the two light kit mounting screws (LL) previously loosened and the one previously removed.



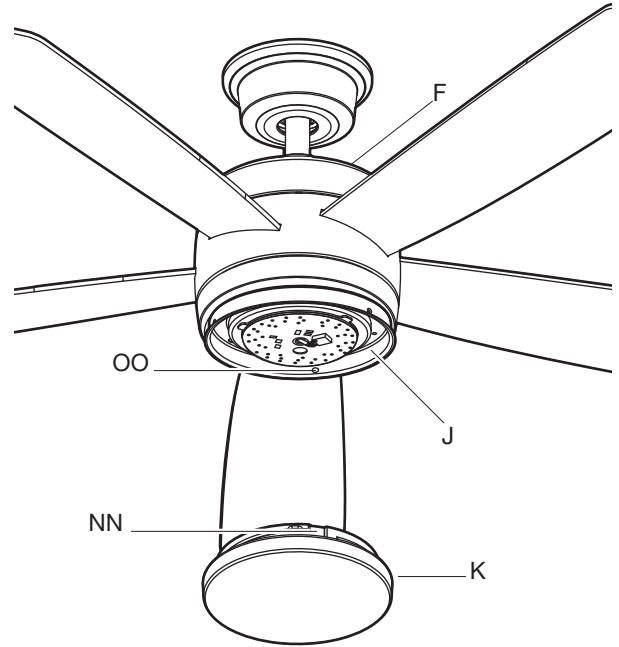
Assembly – Installing the Light Kit (continued)

12 Installing the glass shade




CAUTION: Before starting installation, disconnect the power by turning off the circuit breaker or removing the fuse at the fuse box. Turning power off using the fan switch is not sufficient to prevent electric shock.


- Position the notches (NN) in the outer rim of the glass shade (K) so they line up with the tabs (OO) on the inside of the rim on the 20W LED light kit (J). Carefully lift the glass shade (K) up inside the 20W LED light kit (J) and secure it to the fan by turning the glass shade (K) clockwise until snug. **DO NOT OVERTIGHTEN.**



Operation

 **Power ON/OFF:** Press and release the power button to turn the fan and light on or off.

Press and hold the  button for 3 seconds to use the “walk away time delay”; this will activate the light for 30 seconds after the light flashes.

 **Fan speed:** LEDs on the fan speed button will illuminate to the corresponding speed.

Press and release 1 time: turns the fan on high speed.

Press and release 2 times: turns the fan on medium speed.

Press and release 3 times: turns the fan on low speed.

Press and release 4 times: turns the fan off.

Light ON/OFF

Press and release the button to turn the light on or off.

Press and hold the button to activate the dimmer function

Correlated Color Temperature (CCT) changing



NOTE: The default temperature of the ceiling fan light is 3000k (Soft White).

Push and release the button to cycle through the three color temperature options.

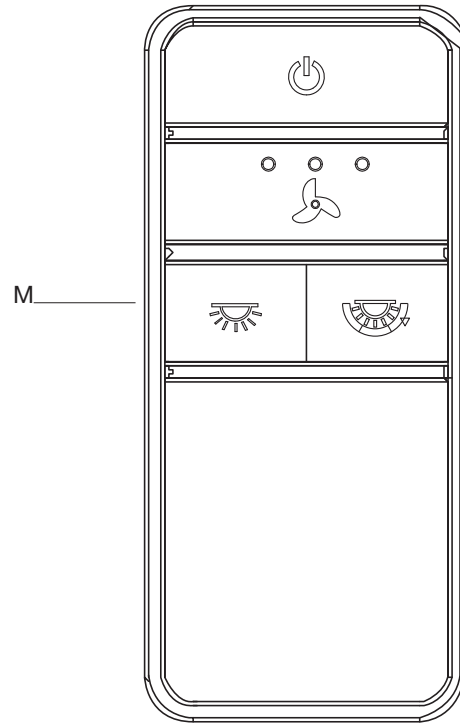
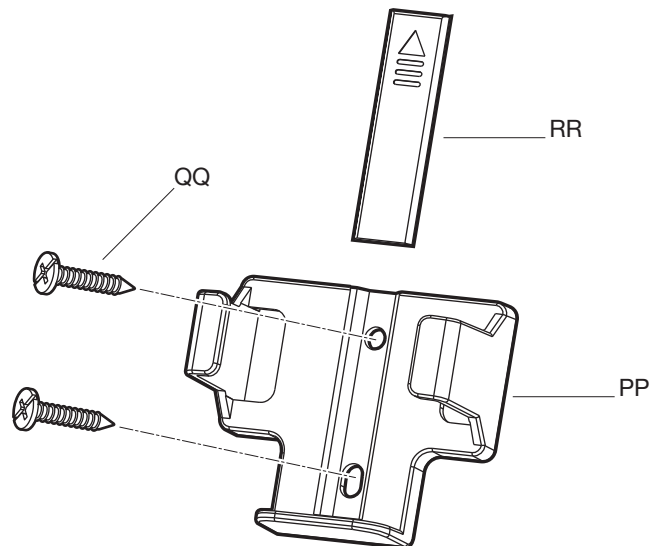
Option 1: 3000K (Soft White).

Option 2: 4000K (Bright White).

Option 3: 5000K (Daylight).

INSTALLING THE REMOTE CONTROL HOLDER

- Attach the remote control holder (PP) with the two remote control holder mounting screws (QQ).
- Replace the remote control holder cover (RR) into the remote control holder (PP).



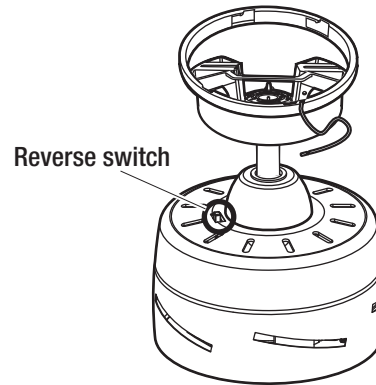
Operation (continued)

REVERSE SWITCH OPERATING INSTRUCTIONS

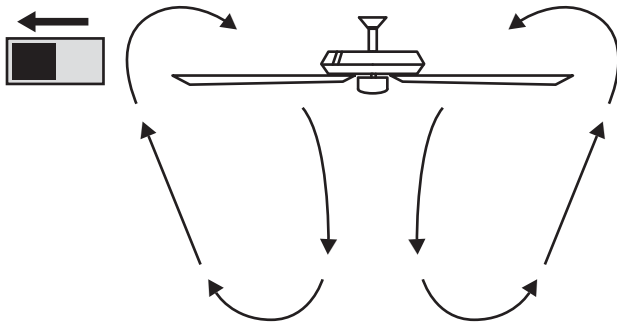
The reverse switch is located on the surface of the motor housing. Slide the switch to the left for warm weather operation. Slide the switch to the right for cool weather operation.



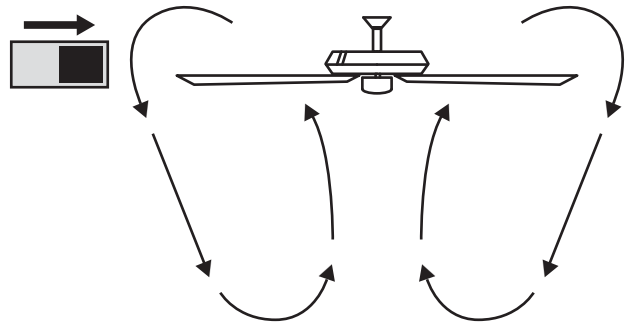
NOTE: Wait for the fan to stop before reversing the direction of the blade rotation.



Warm weather - (Counterclockwise Direction) A downward air flow creates a cooling effect. This allows you to set your air conditioner on a warmer setting without affecting your comfort.



Cool weather - (Clockwise Direction) An upward air flow moves warm air off the ceiling. This allows you to set your heating unit on a cooler setting without affecting your comfort.



Care and Cleaning

Do

- Check the support connections, brackets, and blade attachments twice a year. Make sure they are secure. Because of the fan's natural movement, some connections may become loose over time. It is not necessary to remove the fan from the ceiling.
- Clean your fan periodically. Use only a soft brush or lint-free cloth to avoid scratching the finish. The plating is sealed with a lacquer to minimize discoloration or tarnishing.
- (Optional) Apply a light coat of furniture polish to the wood blades.
- (Optional) Cover small scratches with a light application of shoe polish.

Do not

- Use water when cleaning. Water could damage the motor, or the wood, or possibly cause an electrical shock.
- Apply oil to your fan or motor. The motor has permanently-lubricated sealed ball bearings.

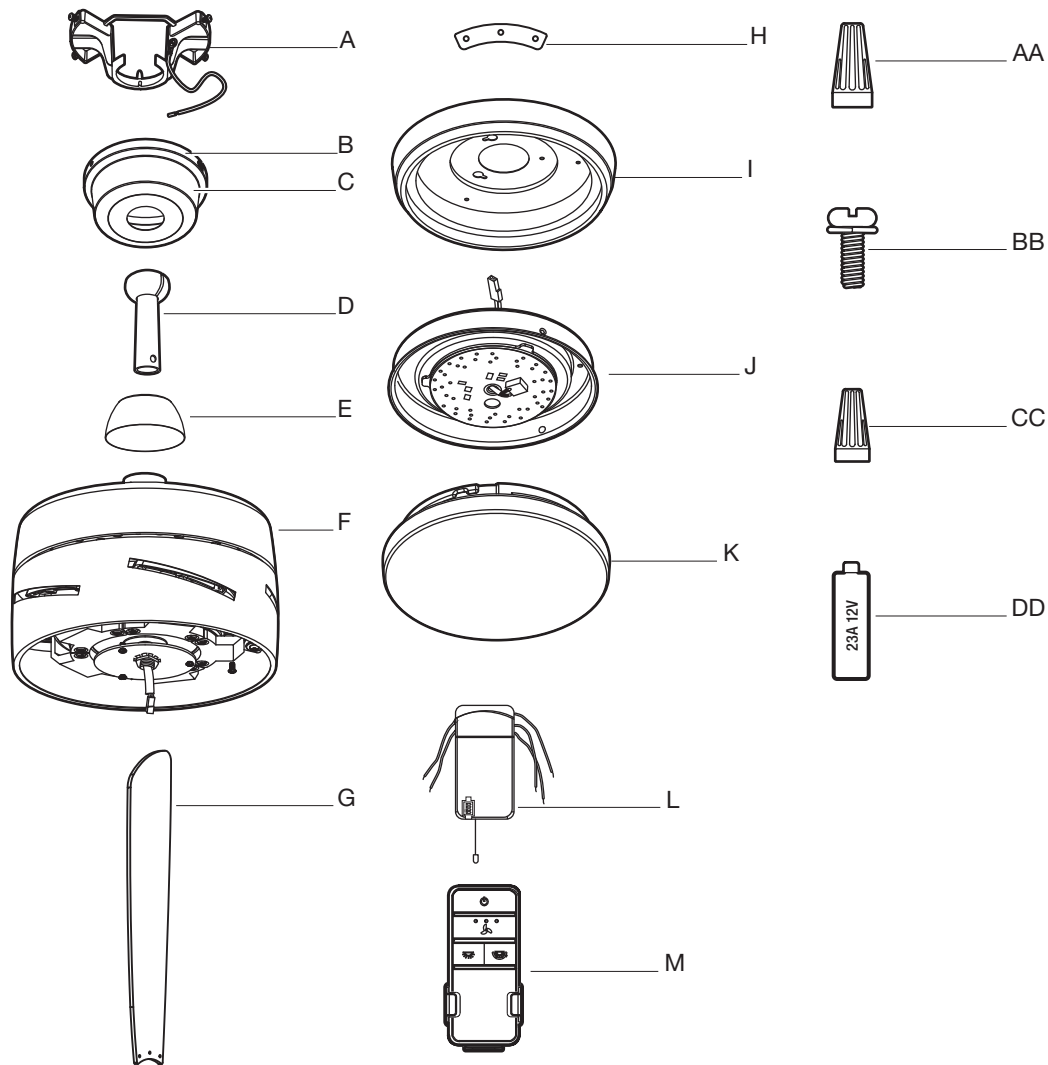
Troubleshooting



WARNING: Make sure the power is off at the electrical panel box before you attempt any repairs. Refer to step 7 “Making the electrical connections” on page 11.

Problem	Solution
The fan will not start.	<input type="checkbox"/> Check the main and branch circuit fuses or breakers.
	<input type="checkbox"/> Check the line wire connections to the fan and switch wire connections in the switch housing.
	<input type="checkbox"/> Check to make sure the frequency switches from the remote control and receiver are set to the same frequency.
The fan sounds noisy.	<input type="checkbox"/> Make sure all motor housing screws are snug.
	<input type="checkbox"/> Make sure the screws that attach the fan blade to the motor hub are tight.
	<input type="checkbox"/> Make sure the wire nut connections are not rattling against each other or the interior wall of the switch housing.
	<input type="checkbox"/> Allow a 24-hour "breaking-in" period. Most noises associated with a new fan disappear during this time.
	<input type="checkbox"/> If using the ceiling light kit, make sure the glassware is secured tightly.
	<input type="checkbox"/> Make sure there is a short distance from the ceiling to the canopy. It should not touch the ceiling.
The remote control is not working.	<input type="checkbox"/> Do not connect the fan with wall mounted variable speed control(s).
	<input type="checkbox"/> Make sure the frequency switches are set correctly.
The fan wobbles.	<p><input type="checkbox"/> Verify that all blades and blade bracket screws are secure (most fan wobble problems are caused by loose parts). Once the fan is properly installed, run the ceiling fan for 10 minutes to let the fan self-adjust.</p> <p>If wobble occurs after running the fan for 10 minutes, verify blade level using the following process:</p> <ul style="list-style-type: none"> - Select a point on the ceiling above the tip of one of the blades, then select any fan blade and measure from the center of the selected blade to the point on the ceiling. Rotate the fan until the next blade is positioned and repeat the measurement using the same point from the ceiling for every blade. Measurement deviations should be within 1/8 in.. - If all deviations are less than 1/8 in. and the fan continues to wobble, please call Customer Service (1-855-HD-HAMPTON) to order a complimentary Blade Balancing Kit. - If deviation is greater than 1/8 in. , please call Customer Service (1-855-HD-HAMPTON) to order complimentary replacements of your brackets.

Service Parts



Part	Description
A	Mounting bracket (preassembled)
B	Canopy ring (preassembled)
C	Canopy
D	Hanger ball/downrod assembly
E	Coupling cover
F	Fan motor assembly
G	Blade
H	Blade support plate
I	Light kit mounting plate
J	20W LED Light kit
K	Glass shade
L	Receiver
M	Remote control

Part	Description
AA	Plastic wire nut
BB	Blade attachment screw with lock washer
CC	Plastic wire nut
DD	23A 12V battery

HAMPTON BAY®

Questions, problems, missing parts? Before returning to the store,
call Hampton Bay Customer Service
8 a.m. - 7 p.m., EST, Monday-Friday, 9 a.m. - 6 p.m., EST Saturday

1-855-HD-HAMPTON

HAMPTONBAY.COM

Retain this manual for future use.