

YG726-NI

120 V~ 60 Hz 90 W

**Read and follow all the instructions
before using this product.**

141 643



Aldenshire LED 52 in Ceiling Fan Owner's Manual

**Aldenshire LED
Ventilador de Techo de 1,32 m
Manual del Propietario**



HOME DECORATORS COLLECTION®

Congratulations on your purchase of a Home Decorators Collection ceiling fan. Your new fan will be a beautiful addition to your home, and will keep you comfortable throughout the year.

The Home Decorators Collection Fan Company offers a wide variety of ceiling fans. We offer combinations of wood and brass finishes, solid designer colors, and our unique glass and crystal designs.

A large selection of light fixtures and light kits is also available. Ask your dealer about other accessories that will allow you to further customize your fan.

We're certain that your Home Decorators Collection fan will provide you with many years of comfort, energy savings and satisfaction. To ensure your personal safety and to maximize the performance of your fan, please read this manual thoroughly.

Aldenshire LED by Home Decorators Collection

VENTILADOR DE TECHO/CEILING FAN

Marca/Brand: Home Decorators Collection

Modelo/Model: 141 643 (YG726-NI)

120 V~ 60 Hz 90 W



Consumo de energía por unidad de tiempo en operación (Energy Consumption): 93.19 Wh

Importador/Importer: SERVICIOS HOME DEPOT, S. DE R.L. DE C.V.

Ricardo Margain 605, Santa Engracia, San Pedro Garza García, Nuevo León, C.P. 66267 Tel./Phone: 01 800 004 6633

Lea y siga todas las instrucciones de seguridad y operación antes de usar este aparato/ Read and follow all the instructions of security and operation before using this product

Cont. 1 Ventilador / Fan

Requiere ensamblaje /Assembly required

Hecho en/Made in: China

52” Aldenshire LED Ceiling Fan by HDC

Thank you for purchasing our ceiling fan. This product has been manufactured with the highest standards of safety and quality.

Date Purchased _____

Store Purchased _____

UL Model No. _____ 141 643 (YG726-NI)

Serial No. _____

Vendor No. _____ 548810

UPC _____ 840059600574

Table of Contents

Safety Rules	1
Unpacking Your Fan	2
Installing Your Fan	3
Installing the Light Kit	14
Operating Your Fan	15
Care of Your Fan	16
Troubleshooting	16
Specifications	17

Safety Rules - Read and Save These Instructions

1. To reduce the risk of electric shock, insure electricity has been turned off at the circuit breaker or fuse box before beginning.
2. All wiring must be in accordance with the National Electrical Code “ANSI/NFPA 70-1999” and local electrical codes. Electrical installation should be performed by a qualified licensed electrician.
3. A all-pole disconnection that provide full disconnection under overvoltage category III from the supply mains incorporated in the fixed wiring is to be provided during installed.
4. If the supply cord is damaged, it must be replaced by the manufacturer, its service agent or similarly qualified persons in order to avoid a hazard.
5. After installed, need a set of supply leads accommodated in a suitable compartment.
6. **WARNING:** To reduce the risk of electrical shock or fire, do not use this fan with any solid-state fan speed control device. It will permanently damage the electronic circuitry.
7. **CAUTION:** To reduce the risk of personal injury, use only the screws provided with the outlet box.
8. The outlet box and support structure must be securely mounted and capable of reliably supporting a minimum of 35 lbs (15.9 kg) or less. Use only NOM-listed outlet boxes marked “**FOR FAN SUPPORT**”.
9. The fan must be mounted with a minimum of 7,55 ft. (2,3m) clearance from the trailing edge of the blades to the floor.
10. Avoid placing objects in the path of the blades.
11. To avoid personal injury or damage to the fan and other items, be cautious when working around or cleaning the fan.
12. Do not use water or detergents when cleaning the fan or fan blades. A dry dust cloth or lightly dampened cloth will be suitable for most cleaning.
13. After making electrical connections, spliced conductors should be turned upward and pushed carefully up into outlet box. The wires should be spread apart with the grounded conductor and the equipment-grounding conductor on one side of the outlet box and ungrounded conductor on the other side of the outlet box.
14. All set screws must be checked and retightened where necessary before installation.
15. The appliance is not to be used by persons (including children) with reduced physical, sensory or metal capabilities, or lack of experience and knowledge, unless they have been given supervision or instruction.
16. This device complies with part 15 of the FCC Rules. Operation is subject to the following two conditions: (1) This device may not cause harmful interference, and (2) this device must accept any interference received, including interference that may cause undesired operation.
17. Instructions for the use of the apparatus according with NOM-024-SCFI, are provided with the apparatus.

WARNING

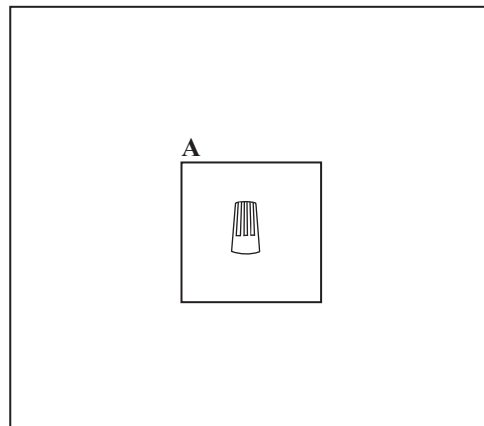
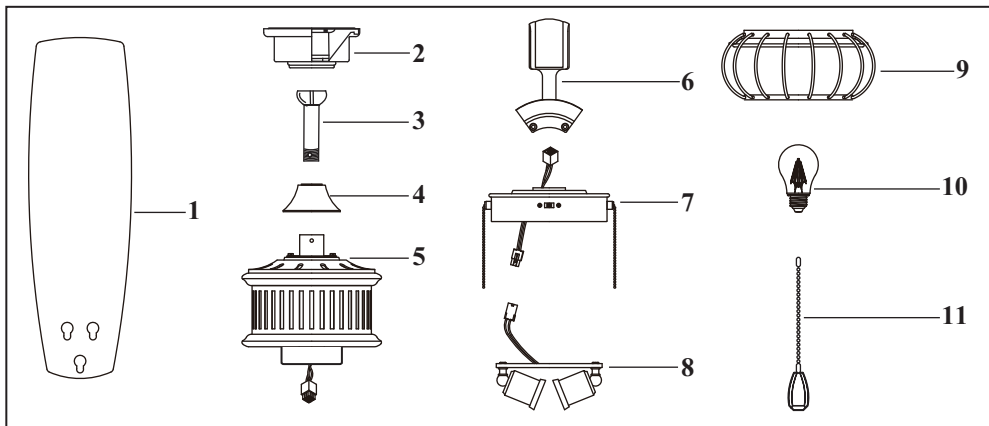
TO REDUCE THE RISK OF PERSONAL INJURY, DO NOT BEND THE BLADE ARMS (ALSO REFERRED TO AS FLANGES), WHEN INSTALLING THE BRACKETS, BALANCING THE BLADES OR CLEANING THE FAN. DO NOT INSERT FOREIGN OBJECTS IN – BETWEEN ROTATING FAN BLADES.

WARNING

TO REDUCE THE RISK OF FIRE, ELECTRIC SHOCK OR PERSONAL INJURY, MOUNT FAN TO OUTLET BOX MARKED ACCEPTABLE FOR FAN SUPPORT WITH THE SCREWS PROVIDED WITH THE OUTLET BOX.

Unpacking Your Fan

Unpack your fan and check the contents. You should have the following items:



1. Set of blades (5)
2. Canopy assembly
3. Ball/downrod assembly
4. Coupling cover
5. Fan motor assembly
6. Blade arms (5)
7. Switch housing
8. Light kit
9. Decorative cage
10. 7.5 Watt LED bulbs (2)
11. Pull chains and fobs (2)

- A. Electrical Hardware
(3 Plastic Wire Nuts)

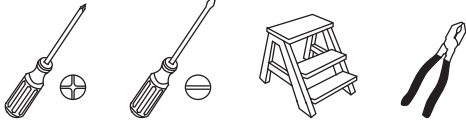
WARNING

DO NOT INSTALL OR USE FAN IF ANY
PART IS DAMAGED OR MISSING.
CALL TOLL FREE 01-800-004-6633.

Installing Your Fan

Tools Required

Phillips screwdriver, straight slot screwdriver, step ladder and wire cutters.



Mounting Options

If there isn't an existing NOM listed mounting box, then read the following instructions. Disconnect the power by removing fuses or turning off circuit breakers.

Secure the outlet box directly to the building structure. Use appropriate fasteners and building materials. The outlet box and its support must be able to fully support the moving weight of the fan (at least 35 lbs). Do not use plastic outlet boxes.

WARNING

TO REDUCE THE RISK OF FIRE, ELECTRIC SHOCK OR PERSONAL INJURY, MOUNT FAN ONLY TO AN OULET BOX MARKED ACCEPTABLE FOR FAN SUPPORT AND USE THE MOUNTING SCREWS PROVIDED WITH THE OULET BOX. OULET BOX COMMONLY USED FOR THE SUPPORT OF LIGHTING FIXTURE MAY NOT BE ACCEPTABLE FOR FAN SUPPORT AND MAY NEED TO BE REPLACED. CONSULT A QUALIFIED ELECTRICIAN IF IN DOUBT.

Figures 1~3 are examples of different ways to mount the outlet box.

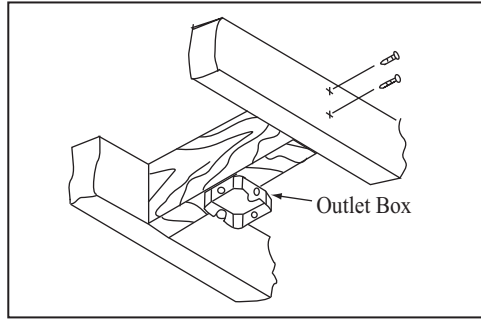


Figure 1

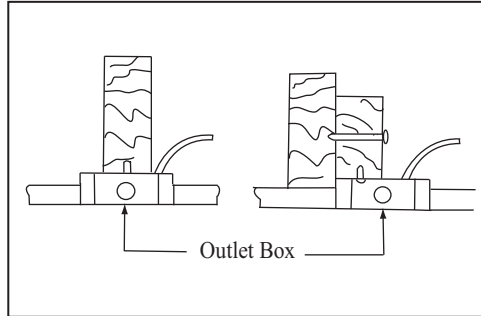


Figure 2

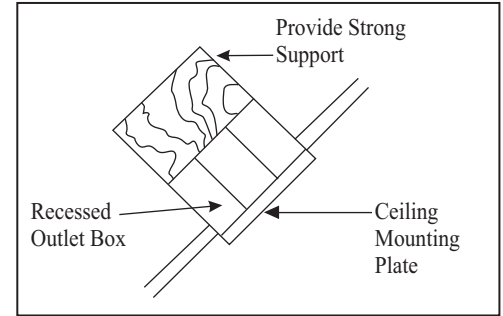


Figure 3

Note: You may need a longer downrod to maintain proper blade clearance when installing on a steep, sloped ceiling. The maximum angle allowable is 18°. If the canopy touches downrod, remove the decorative canopy bottom cover and turn the canopy 180° before attaching the canopy to the mounting plate.

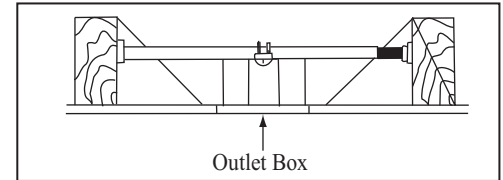


Figure 4

To hang your fan where there is an existing fixture but no ceiling joist, you may need an installation hanger bar as shown in Figure 4 (available at any Home Depot store).

Hanging the Fan

REMEMBER to turn off the power. Follow the steps below to hang your fan properly.

NOTE: This ceiling fan is supplied with two types of hanging assemblies; the standard ceiling installation using the downrod with ball and socket mounting, and the "close-to-ceiling" mounting. The "close-to-ceiling" mounting is recommended in rooms with less than 8-foot ceilings or in areas where additional space is desired from the floor to the fan blades.

When using the standard downrod installation, the distance from the ceiling to the bottom of the fan blades will be approximately 12 inches. The "close-to-ceiling" installation reduces the distance from the ceiling to the bottom of the fan blades to approximately 9 inches.

Once you have decided which ceiling installation you will use, proceed with the following instructions. Where necessary, each section of the instructions will note the different procedures to follow for the two types of installation.

Option 1: Standard Ceiling Mounting

1. Remove the canopy ring from the canopy. (Figure 5)

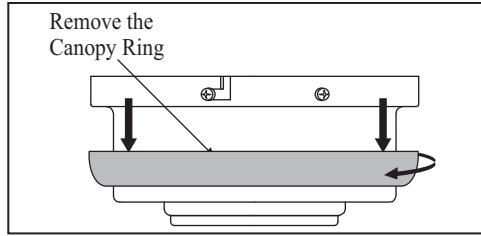


Figure 5

2. Remove the mounting bracket from the canopy by loosening the four screws on the top of the canopy. Remove the two non-slotted screws and loosen the slotted screws. (Figure 6)

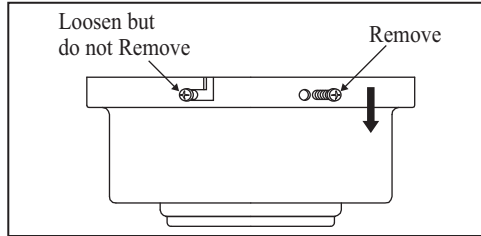


Figure 6

3. Remove the clevis pin, cotter pin and set screws from the top of the motor assembly. (Figure 7)
4. Take out the setscrew located in the hanger ball, lower the hanger ball and remove the cross pin. Remove the hanger ball from the hanger ball/downrod assembly. (Figure 7)

5. Remove the ground lead from the downrod assembly. (Figure 7)

NOTE: If a longer downrod is needed, take out the screw located in the hanger ball, lower the hanger ball and remove the pin, remove all 3 pieces from the downrod and assemble them onto the new longer downrod before proceeding step 6. (The longer downrod is available at any Home Depot store)

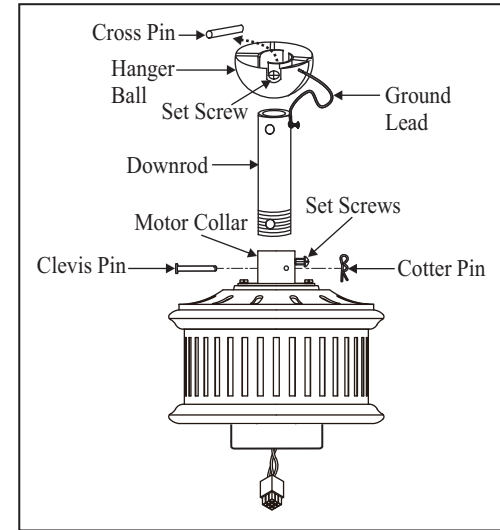


Figure 7

6. Carefully feed the motor wires up through the downrod. Thread the downrod into the collar. Align the holes and replace the clevis pin and cotter pin. Tighten the two collar setscrews. (Figure 8)
7. Slip coupling cover, canopy ring, and canopy onto the downrod. Carefully reinstall the hanger ball onto the downrod and reinstall the ground lead onto the downrod, being sure that the cross pin is in the correct position, the setscrew is tightened and wires are not twisted. (Figure 8)

WARNING

FAILURE TO PROPERLY INSTALL CLEVIS PIN AS NOTED IN STEP 5 COULD RESULT IN FAN LOOSENING AND POSSIBLY FALLING.

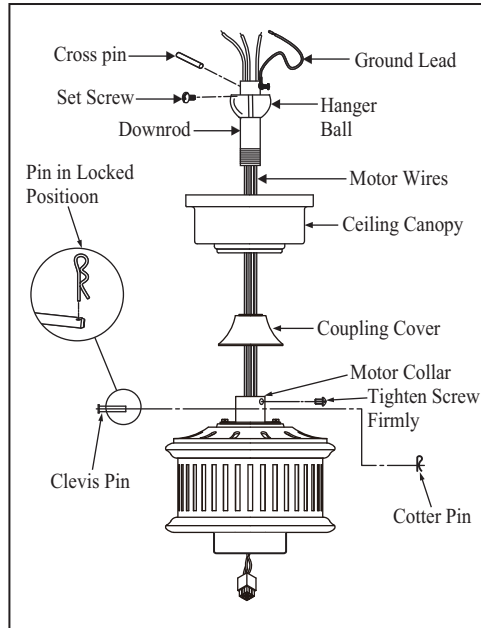


Figure 8

Option 2: Close-to-Ceiling Mounting

1. Remove the canopy ring from the canopy. (Figure 5)
2. Remove the mounting bracket from the canopy by loosening the four screws on the top of the canopy. Remove the two non-slotted screws and loosen the slotted screws. (Figure 6)

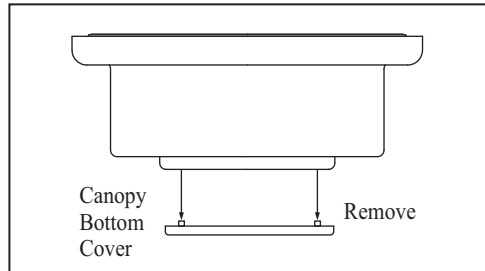


Figure 9

3. Remove the decorative canopy bottom cover from the canopy. (Figure 9)
4. Remove three of the six screws and lock washers (every other one) from the collar of top motor. (Figure 10)

5. Route the wires exiting the top of the fan motor through the canopy ring (make sure the slot openings are on top), then proceed to place the canopy ring and ceiling canopy over the collar at the top of the motor. (Figure 11)
6. Align the mounting holes with the holes in the motor and fasten using the screws and lock washers removed in step 4. (Figure 11)
7. Tighten the mounting screws securely.

WARNING

FAILURE TO COMPLETELY TIGHTEN THE THREE SCREWS IN STEP 7 COULD RESULT IN FAN LOOSENING AND POSSIBLY FALLING.

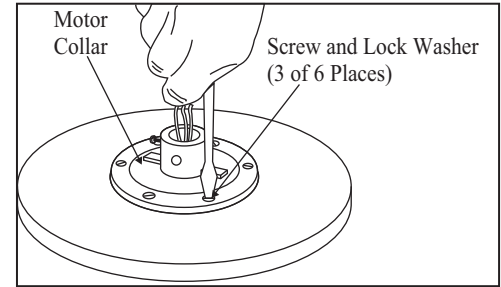


Figure 10

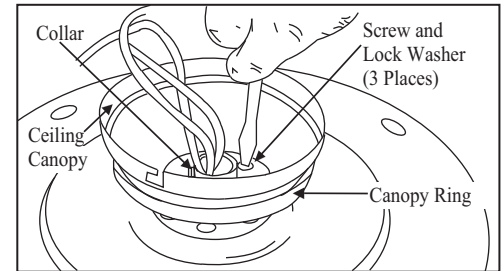


Figure 11

Installing Fan to the Electrical Box

WARNING

TO REDUCE THE RISK OF FIRE, ELECTRIC SHOCK OR OTHER PERSONAL INJURY, MOUNT FAN ONLY TO AN OUTLET BOX OR SUPPORTING SYSTEM MARKED ACCEPTABLE FOR FAN SUPPORT AND USE THE MOUNTING SCREWS PROVIDED WITH THE OUTLET BOX.

1. Pass the 120-volt supply wires through the center hole in the mounting bracket. (Figure 12)
2. Attach the mounting bracket on the outlet box by sliding the mounting bracket over the screws provided with the outlet box. (Figure 12) When using “close-to-ceiling” mounting, it is important that the mounting bracket be level. If necessary, use leveling washers (not included) between the mounting bracket and the outlet box. Note that the flat side of the mounting bracket is toward the outlet box. (Figure 12)
3. Securely tighten the two mounting screws.

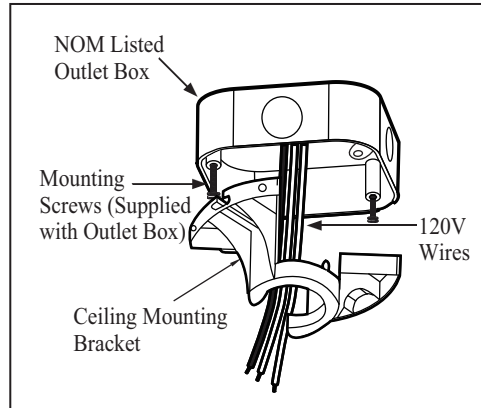


Figure 12

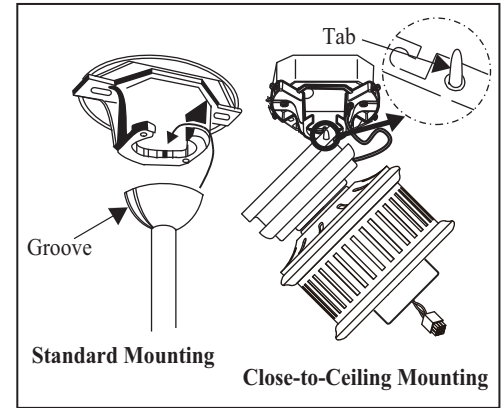


Figure 13

4. Carefully lift the fan assembly up to the ceiling mounting bracket and hang the fan on the tab provided by utilizing one of the holes at the outer rim of the ceiling canopy. (Figure 13) If use standard mounting, seat the hanger ball in the mounting bracket socket. Make sure the tab on the mounting bracket socket is properly seated in the groove in the hanger ball. (Figure 13)

WARNING

WHEN USING THE STANDARD BALL/ DOWN-ROD MOUNTING, THE TAB IN THE RING MUST REST IN THE GROOVE OF THE HANGER BALL. FAILURE TO PROPERLY SEAT THE TAB IN THE GROOVE COULD CAUSE DAMAGE TO WIRING.

WARNING

THE TAB AS SHOWN IN FIGURE 13 IS ONLY TO BALANCE THE FAN WHILE ATTACHING WIRING. FAILURE TO HANG AS SHOWN IN FIGURE 12 MAY RESULT IN TAB BREAKING CAUSING THE FAN TO FALL. TAB MUST PASS FROM INSIDE TO OUTSIDE OF CANOPY.

Making the Electrical Connections

REMEMBER to disconnect the power.

If you feel you do not have enough electrical wiring knowledge or experience, have your fan installed by a licensed electrician.

Follow the steps below to connect the fan to your household wiring. Use the wire nuts supplied with your fan. Secure the wire nuts with electrical tape. Make sure there are no loose strands or connections.

1. Connect the ground conductor of the 120V supply (this may be a bare wire or a wire with green colored insulation) to the green ground lead(s) of the fan. (Figure 14) When using standard ceiling mounting, there are two green grounding leads; one from the ceiling mounting bracket and one from the ball/downrod assembly. When using “Flushmount Installation” mounting, there is only one green ground lead from the ceiling mounting bracket since the ball/downrod assembly is not used.
2. Connect the fan motor white wire to the supply white (neutral) wire using a wire nut. (Figure 14)

3. Connect the fan motor black wire to the supply black (hot) wire using a wire nut. (Figure 14)
4. Connect the blue wire for light kit to the black household supply wire.
5. Turn wire nut connections upward, spreading them apart so the green (ground) and white will be on one side of the outlet box, and the black and blue wires will be on the other side, and push carefully up into the outlet box.

WARNING

CHECK TO SEE THAT ALL CONNECTIONS ARE TIGHT, INCLUDING GROUND, AND THAT NO BARE WIRE IS VISIBLE AT THE WIRE NUTS, EXCEPT FOR THE GROUND WIRE.

WARNING

ELECTRICAL DIAGRAMS ARE FOR REFERENCE ONLY. OPTIONAL USE OF ANY LIGHT KIT SHALL BE NOM LISTED AND MARKED SUITABLE FOR USE WITH THIS FAN.

WARNING

TO REDUCE THE RISK OF FIRE OR ELECTRIC SHOCK. DO NOT USE THIS FAN WITH ANY SOLID-STATE SPEED CONTROL DEVICE.

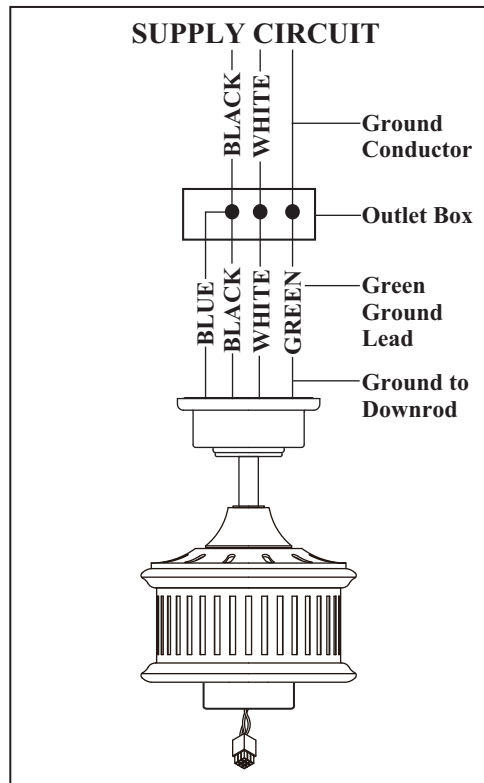


Figure 14

Finishing the Fan Installation

Standard Ceiling Mounting

WARNING

LOCKING SLOTS OF CEILING CANOPY ARE PROVIDED ONLY AS AN AID TO MOUNTING. DO NOT LEAVE FAN ASSEMBLY UNATTENDED UNTIL ALL FOUR CANOPY SCREWS ARE ENGAGED AND FIRMLY TIGHTENED.

Slide canopy up to the ceiling as shown in Figure 15. Make sure you place the wires safely into the outlet box. Secure the canopy to the mounting bracket with the four screws with your fan. Slide the canopy ring over the canopy and tighten by turning the canopy ring.

WARNING

MAKE SURE THE TAB ON THE MOUNTING BRACKET PROPERLY SITS IN THE GROOVE IN THE HANGER BALL BEFORE ATTACHING THE CANOPY TO THE BRACKET BY TURNING THE HOUSING UNTIL IT DROPS INTO PLACE.

Close-to-Ceiling Mounting

Remove the fan from the hook on the mounting bracket. Secure the canopy to the mounting bracket with four screws included with your fan. (Fig. 16) Slide the canopy ring over the canopy and tighten by turning the canopy ring.

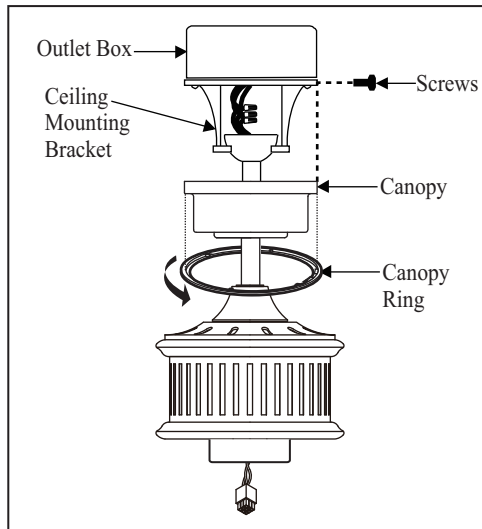


Figure 15

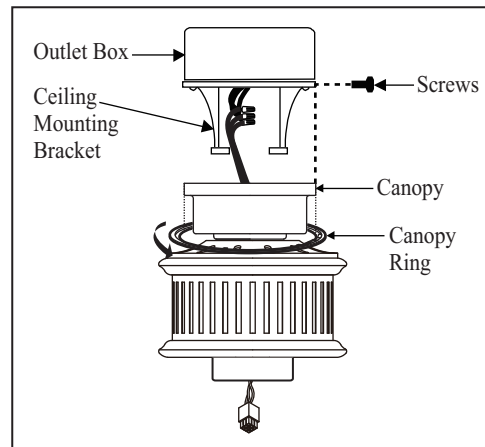


Figure 16

Attaching the Fan Blades

WARNING

FAILURE TO PROPERLY SEAT THE BLADES ON THE BLADE ARMS AND ENGAGE IN THE SPRING LOCKING MECHANISM COULD RESULT IN THE FAN BLADES LOOSENING AND POSSIBLY FALLING.

NOTE

YOUR FAN BLADES ARE REVERSIBLE. SELECT THE BLADE SIDE FINISH WHICH BEST ACCENTUATES YOUR DECOR.

To install the blade to the blade arm:

1. Hold the blade with hands close to the blade arm, align the key-slot holes with the blade arm posts and press the blade down firmly. Ensure the key-slot holes are properly seated on the blade arm posts.
2. Firmly slide the blade away from the blade arm until the blade engages in the spring locking mechanism. Make sure the spring of the spring locking mechanism is upward and the butt of the spring locking mechanism is against the edge of the blade.

To detach the blade from the blade arm:

1. Press down the spring locking mechanism to release the blade from the blade arm. Slide the blade toward the blade arm until the blade disengages from the spring locking mechanism. Carefully push the blade up to detach from the blade arm.

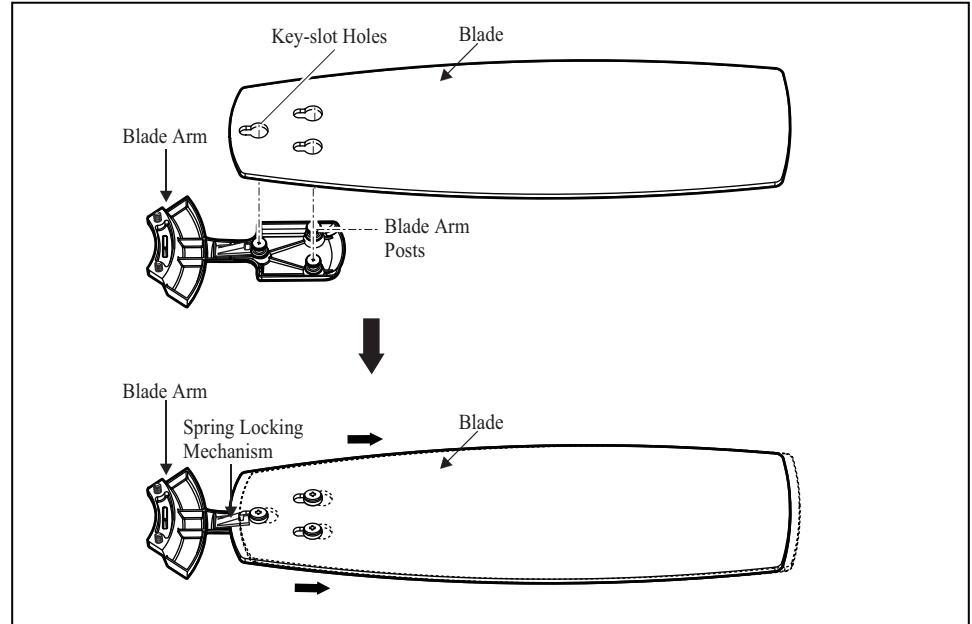


Figure 17

Attaching the Blade Assembly

WARNING

TO REDUCE THE RISK OF PERSONAL INJURY, DO NOT BEND THE BLADE ARMS WHILE INSTALLING, BALANCING THE BLADES, OR CLEANING THE FAN. DO NOT INSERT FOREIGN OBJECTS BETWEEN ROTATING FAN BLADES.

1. The fan motor assembly is shipped with motor support plate to prevent movement during transportation. Remove the motor support plate.
2. Fasten the blade assemblies to the fan motor assembly by lining up the slots of the motor with the tabs on the blade arms.
3. Align the holes from the blade arm to the holes from the motor, and secure the blade arm in place with screws and washers provided.
4. Repeat this process to attach the other blades assemblies.

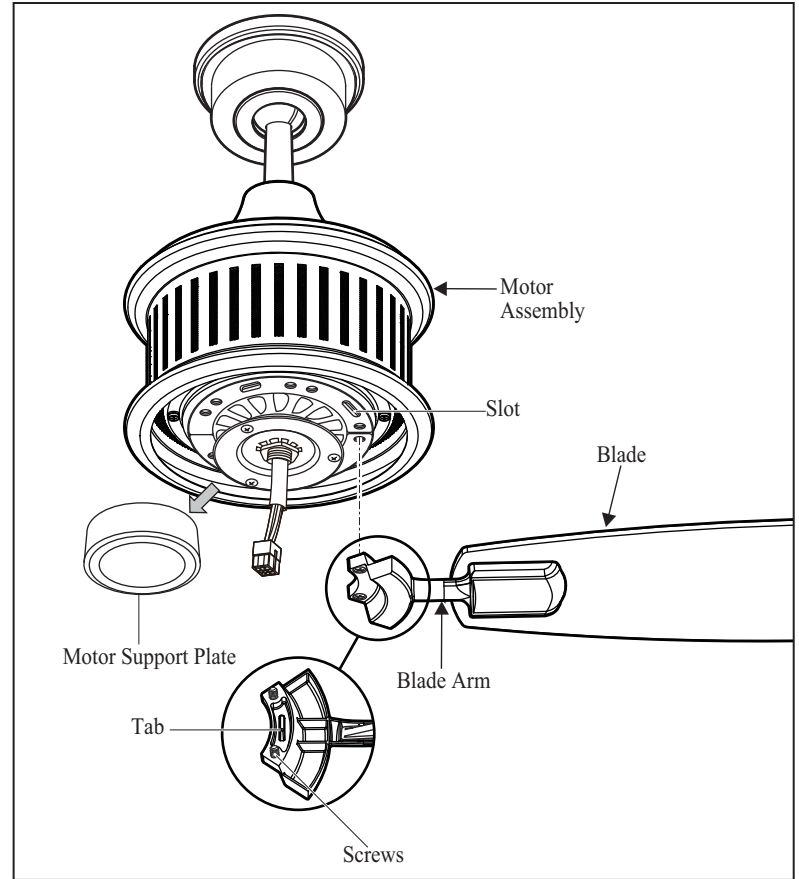


Figure 18

Blade Balancing

All blades are grouped by weight during assembly. The following procedure should correct most fan wobble. Check after each step.

1. Verify that all blades and blade bracket screws are secure (most fan wobble problems are caused by loose parts). Once the fan is properly installed, run the ceiling fan for 10 minutes to let the fan self-adjust.
2. If wobble occurs after running the fan for 10 minutes, verify blade level using the following process:
 - Select a point on the ceiling above the tip of one of the blades, then select any fan blade and measure from the center of the selected blade to the point on the ceiling (as shown in Figure 19). Rotate the fan until the next blade is positioned and repeat the measurement using the same point from the ceiling for every blade. Measurement deviations should be within $1/8$ ".
 - If all deviations are less than $1/8$ " and the fan continues to wobble, please call Customer Service (01-800-004-6633) to order a complimentary Blade Balancing Kit.
 - If deviation is greater than $1/8$ ", please call Customer Service (01-800-004-6633) to order complimentary replacements of your brackets.

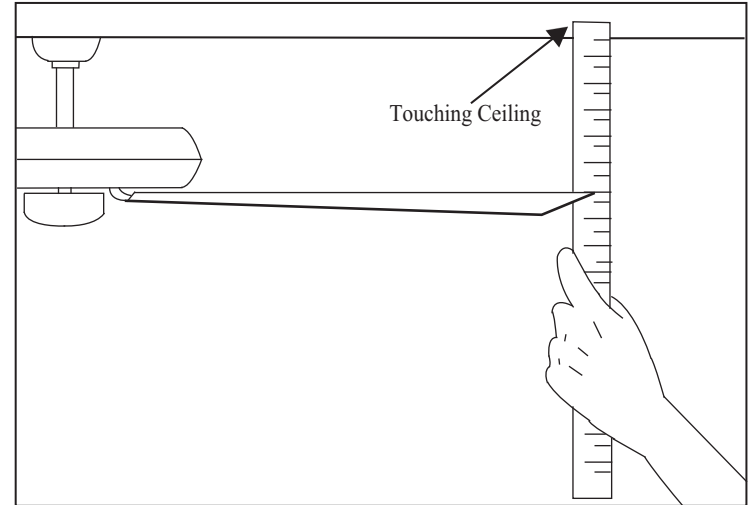


Figure 19

Attaching the switch housing to the mounting ring

WARNING

BEFORE STARTING INSTALLATION, DISCONNECT THE POWER BY TURNING OFF THE CIRCUIT BREAKER OR REMOVING THE FUSE AT FUSE BOX. TURNING POWER OFF USING THE FAN SWITCH IS NOT SUFFICIENT TO PREVENT ELECTRIC SHOCK.

1. Remove one of the three switch housing mounting screws from the mounting ring and loosen the other two screws. (Do not remove.)
2. While holding the switch housing under the fan motor assembly, snap together the wire connection plugs.
3. Place the key holes in the switch housing over the two screws previously loosened from the mounting ring. Turn the switch housing until the switch housing locks in place at the narrow section of the key holes.
4. Securely tighten the two switch housing mounting screws previously loosened and the one previously removed.

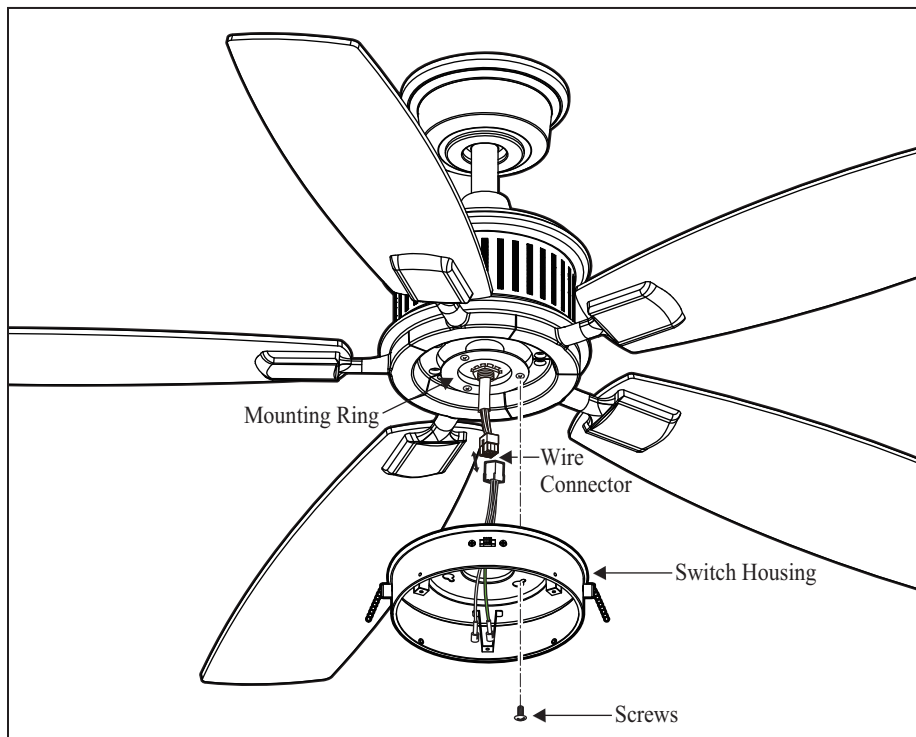


Figure 20

Installing the Light Kit

NOTE

BEFORE STARTING INSTALLATION, DISCONNECT THE POWER BY TURNING OFF THE CIRCUIT BREAKER OR REMOVING THE FUSE AT FUSE BOX. TURNING POWER OFF USING THE FAN SWITCH IS NOT SUFFICIENT TO PREVENT ELECTRIC SHOCK.

1. Remove the three light kit mounting screws from the switch housing and keep these screws. (Fig. 21)
2. While holding the light kit under your fan motor assembly, locate two single white and blue wires in the switch housing labeled "FOR LIGHT". Make the polarized plug connections:
(Fig. 21)
- White to white - Blue to black
3. Carefully push all wires back into the switch housing. Install the light kit onto the switch housing with the three light kit mounting screws provided. Be sure to tighten all screws. (Fig. 21)
4. Raise the decorative cage up against the light kit and secure by tightening with the four decorative cage screws. (Fig. 22)
5. Install the 2 x 7.5W LED bulbs (included).

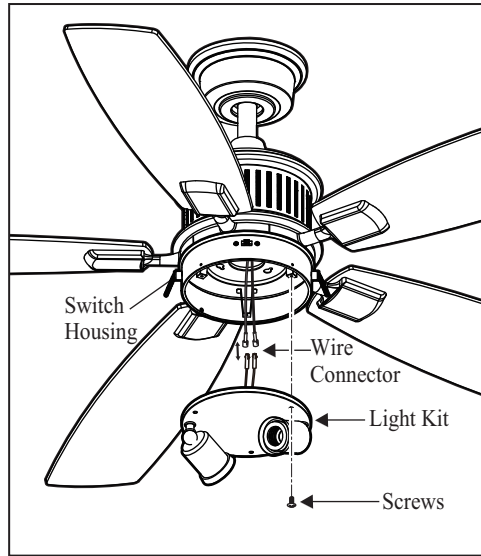


Figure 21

NOTE

THE PULL CHAIN GUIDE ON THE DECORATIVE CAGE MUST ALIGN WITH THE SWITCH ON THE SWITCH HOUSING FOR THE PROPER FIT. (FIG. 22)

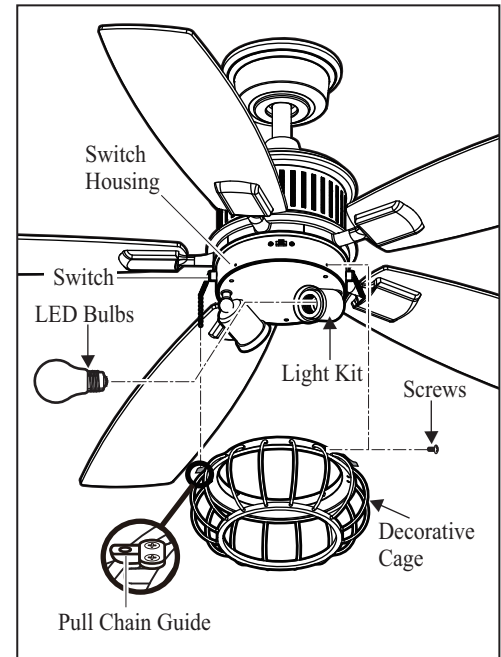


Figure 22

Operating Your Fan

WARNING

LOCKING SLOTS OF CEILING CANOPY ARE PROVIDED ONLY AS AN AID TO MOUNTING. DO NOT LEAVE FAN ASSEMBLY UNATTENDED UNTIL ALL FOUR CANOPY SCREWS ARE ENGAGED AND FIRMLY TIGHTENED.

NOTE

WAIT FOR FAN TO STOP BEFORE REVERSING THE DIRECTION OF THE BLADE ROTATION.

Install two pull chains and fobs onto the pull chains located in the switch housing. Turn on the power and check the operation of the fan.

The pull chain controls the fan speed as follows: 1 pull - High, 2 pulls - Medium, 3 pulls - Low and 4 pulls - Off.

Speed settings for warm or cool weather depend on factors such as the room size, ceiling height, number of fans, and so on.

Light kit pull chain- it controls the light kit in "ON" or "OFF".

The slide switch controls directions: forward (switch left) or reverse (switch right).

Warm weather - (Counter Clockwise Direction) A downward air flow creates a cooling effect as shown in Figure 23. This allows you to set your air conditioner on a higher setting without affecting your comfort.

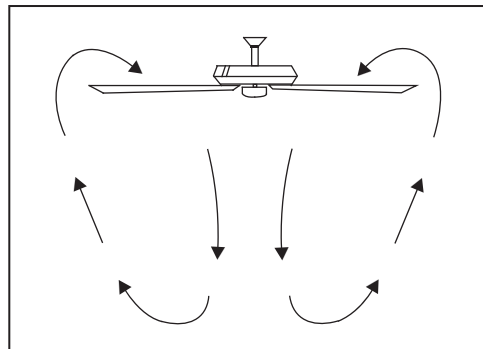


Figure 23

Cool weather - (Clockwise Direction) An upward air flow moves warm air off the ceiling as shown in Figure 24. This allows you to set your heating unit on a lower setting without affecting your comfort.

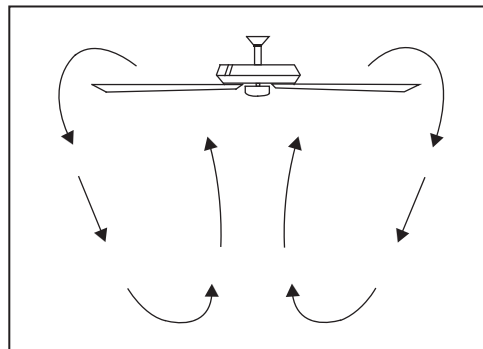


Figure 24

Care of Your Fan Troubleshooting

Here are some suggestions to help you maintain your fan.

1. Because of the fan's natural movement, some connections may become loose. Check the support connections, brackets, and blade attachments twice a year. Make sure they are secure. (It is not necessary to remove fan from ceiling.)
2. Clean your fan periodically to help maintain its new appearance over the years. Do not use water when cleaning. Use only a soft brush or lint-free cloth to avoid scratching the finish. The plating is sealed with a lacquer to minimize discoloration or tarnishing. Do not use water when cleaning. This could damage the motor, or the wood, or possibly cause an electrical shock.
3. You can apply a light coat of furniture polish to the wood blades for additional protection and enhanced beauty. Cover small scratches with a light application of shoe polish.
4. There is no need to oil your fan. The motor has permanently lubricated sealed ball bearings.

PROBLEM SOLUTION

Fan will not start

1. Check main and branch circuit fuses or breakers.
2. Check line wire connections to the fan and switch wire connections in the switch housing.

Fan sounds noisy

1. Make sure all motor housing screws are snug.
2. Make sure the screws that attach the fan blade bracket to the motor hub is tight.
3. Make sure wire nut connections are not rattling against each other or the interior wall of the switch housing.
4. Allow a 24-hour "breaking-in" period. Most noises associated with a new fan disappear during this time.
5. If using an optional light kit, make sure the screws securing the glassware are tight. Check that the light bulb is also secure.
6. Make sure the upper canopy is a short distance from the ceiling. It should not touch the ceiling.
7. Make sure your ceiling box is secure and rubber isolator pads are used between mounting bracket and outlet box.

WARNING

MAKE SURE THE POWER IS OFF AT THE ELECTRICAL PANEL BOX BEFORE YOU ATTEMPT ANY REPAIRS. REFER TO THE SECTION, "MAKING ELECTRICAL CONNECTIONS".

Specifications

FAN SIZE	SPEED	VOLTS	AMPS	WATTS	RPM	CMM	N.W.	G.W.	C.M.
52"	LOW	120	0.23	10	59	52	8.4 kg (18.48 lbs)	9.48 kg (20.9 lbs)	0.05
	MED.		0.45	37	116	100			
	HIGH		0.59	70.4	163	142			

These are approximate measures. They do not include Amps and Wattage used by the light kit .

Importer: **SERVICIOS HOME DEPOT, S. DE R.L. DE C.V.**

Ricardo Margain 605, Santa Engracia, San Pedro Garza García,
Nuevo León, C.P. 66267. Tel. 01 800 004 6633

Warranty printed on manual is not valid for Mexico

Questions, problems, missing parts?

Before returning to the store call our customer service

01 800 004 6633

The appliance is not to be used by persons (including children) with reduced physical, sensory or mental capabilities, or lack of experience and knowledge, unless they have been given supervision or instruction. Children should be supervised to ensure that they do not play with the appliance.