

D E S I G N E R E D I T I O N



52" Flush Mount Ceiling Fan

RENWICK

Model
656 416



Owner's Manual

Hampton Bay Lifetime Limited Warranty

The retailer warrants the fan motor to be free from defects in workmanship and material present at time of shipment from the factory for a lifetime after the date of purchase by the original purchaser. The retailer also warrants that all other fan parts, excluding any glass or plexiglass parts, to be free from defects in workmanship and material at the time of shipment from the factory for a period of one year after the date of purchase by the original purchaser. We agree to correct such defects without charge or at our option replace with a comparable or superior model if the product is returned to the retailer. To obtain warranty service, you must present a copy of the receipt as proof of purchase. All costs of removing and reinstalling the product are your responsibility. Damage to any part such as by accident or misuse or improper installation or by affixing any accessories, is not covered by this warranty. Because of varying climatic conditions in the United States this warranty does not cover any changes in brass finish, including rusting, pitting, corroding, tarnishing or peeling. Brass finishes of this type give their longest useful life when protected from varying weather conditions. A certain amount of wobble is normal and should not be considered a defect. Servicing performed by unauthorized persons shall render the warranty invalid. There is no other express warranty. The retailer hereby disclaims any and all warranties, including but not limited to. Those of merchantability and fitness for a particular purpose to the extent permitted by law. The duration of any implied warranty which cannot be disclaimed is limited to the time period as specified in the express warranty. Some states do not allow limitation on how long an implied warranty lasts, so the above limitation may not apply to you. The retailer shall not be liable for incidental, consequential, or special damages arising out of or in connection with product use or performance except as may otherwise be accorded by law. Some states do not allow the exclusion of incidental or consequential damages, so the above exclusion or limitation may not apply to you. This warranty gives specific legal rights, and you may also have other rights which vary from state to state. This warranty supersedes all prior warranties.

Date Purchased _____

Store Purchased _____

Model No. _____ 656-416

Serial No. _____

Vendor No. _____ 14826

UPC _____ 792145353072

Hampton Bay Lifetime Limited Warranty

| | |
|---------------------------------|-----|
| Safety Rules..... | 1. |
| Unpacking Your Fan | 2. |
| Installing Your Fan | 3. |
| Installing the Light Kit..... | 8. |
| Operating Your Transmitter..... | 9. |
| Care of Your Fan..... | 11. |
| Troubleshooting | 12. |
| Specifications | 13. |

Table of Contents

1. To reduce the risk of electric shock, insure electricity has been turned off at the circuit breaker or fuse box before beginning.
2. All wiring must be in accordance with the National Electrical Code and local electrical codes. Electrical installation should be performed by a qualified licensed electrician.
3. **WARNING:** To reduce the risk of electrical shock and fire, do not use this fan with any solid-state fan speed control device.
4. **WARNING:** To reduce the risk of personal injury, use only the two steel screws (and lock washers) provided with the outlet box for mounting to the outlet box. Most outlet boxes commonly used for the support of lighting fixtures are not acceptable for fan support and may need to be replaced, consult a qualified electrician if in doubt.
5. The outlet box and support structure must be securely mounted and capable of reliably supporting a minimum of 50 pounds. Use only CUL Listed outlet boxes marked FOR FAN SUPPORT.
6. The fan must be mounted with a minimum of 7 feet clearance from the trailing edge of the blades to the floor.
7. Do not operate the reverse switch while the fan blades are in motion. The fan must be turned off and the blades stopped before reversing the blades direction.
8. Avoid placing objects in the path of the blades.
9. To avoid personal injury or damage to the fan and other items, be cautious when working around or cleaning the fan.
10. Do not use water or detergents when cleaning the fan or fan blades. A dry dust cloth or lightly dampened cloth will be suitable for most cleaning.
11. After making electrical connections, spliced conductors should be turned upward and pushed carefully up into the outlet box. The wires should be spread apart with the grounded conductor and the equipment-grounding conductor on one side of the outlet box.
12. Electrical diagrams are for reference only. Light kits that are not packed with the fan must be CUL Listed and marked suitable for use with the model fan you are installing. Switches must be CUL General Use Switches. Refer to the Instructions packaged with the light kits and switches for proper assembly.

WARNING

TO REDUCE THE RISK OF FIRE, ELECTRIC SHOCK OR PERSONAL INJURY, MOUNT FAN TO OUTLET BOX MARKED ACCEPTABLE FOR FAN SUPPORT.

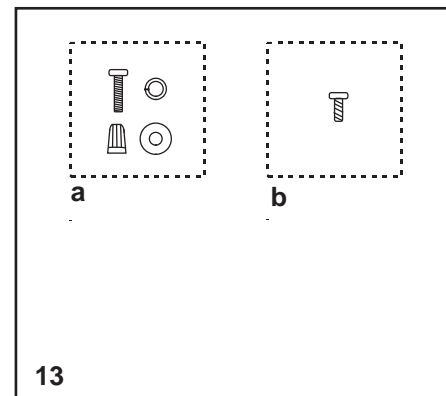
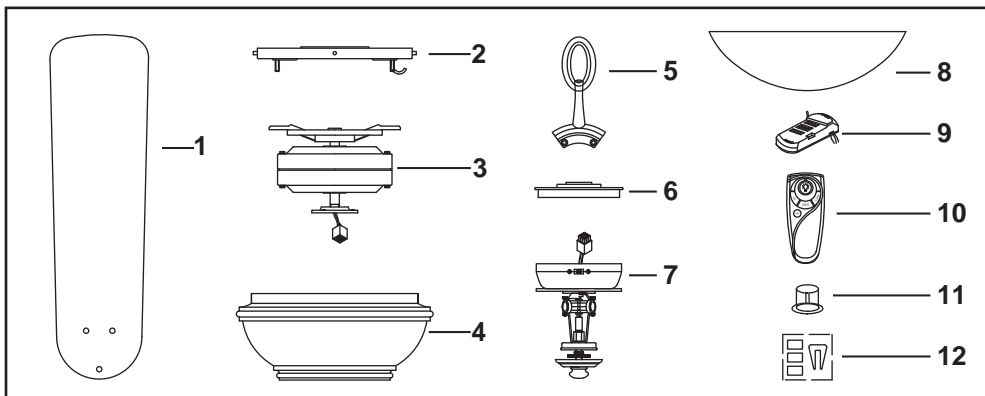
WARNING

TO REDUCE THE RISK OF PERSONAL INJURY, DO NOT BEND THE BLADE ARMS (ALSO REFERRED TO AS BRACKETS) DURING ASSEMBLY OR AFTER INSTALLATION. DO NOT INSERT OBJECTS IN THE PATH OF THE BLADES.

NOTE

READ AND SAVE ALL INSTRUCTIONS!

1. Safety Rules



Unpack your fan and check the contents. You should have the following items:

- | | | | |
|-----------------------------|---|---------------------------------|---|
| 1. Set of blade (5) | 8. Glass shade | 13. Loose parts bag containing: | |
| 2. Mounting bracket | 9. Receiver with 6 wire nuts | | a. Electrical hardware |
| 3. Fan motor assembly | 10. Transmitter+holder+2 mounting screws + 2 plastic plugs | | Screws (2 PCs.) |
| 4. Motor housing | 11. Extra plastic plug | | Lock washers (2 PCs.) |
| 5. Set of blade bracket (5) | 12. Balancing kit | | Metal washers (2 PCs.) |
| 6. Mounting plate | | | 3 plastic wire connecting nuts (3 PCs.) |
| 7. Light kit assembly | | | b. Blade attachment hardware (16 screws) |

WARNING
DO NOT INSTALL OR USE FAN
IF ANY PART IS DAMAGED OR MISSING.
CALL TOLL FREE 1-877-902-5588.

Unpacking Your Fan 2.

Tools Required

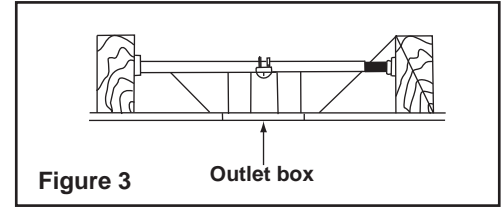
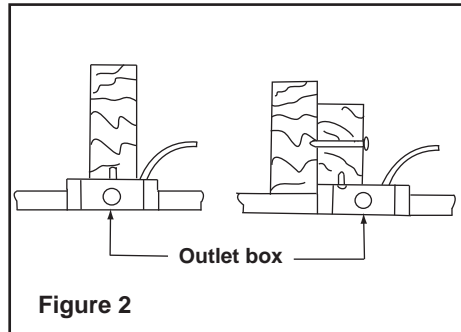
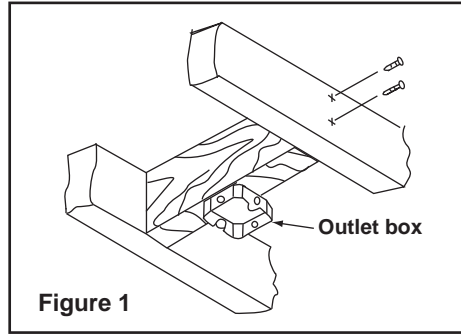
Phillips screwdriver, straight slot screwdriver, adjustable wrench, step ladder, and wire cutters.

Mounting Options

If there isn't an existing CUL listed mounting box, then read the following instructions. Disconnect the power by removing fuses or turning off circuit breakers.

Secure the outlet box directly to the building structure. Use appropriate fasteners and building materials. The outlet box and its support must be able to fully support the moving weight of the fan (at least 50 lbs). Do not use plastic outlet boxes.

Figures 1, 2 and 3 are examples of different ways to mount the outlet box.



To hang your fan where there is an existing fixture but no ceiling joist, you may need an installation hanger bar as shown in Figure 3 (available at your Hampton Bay Retailer).

3. Installing Your Fan

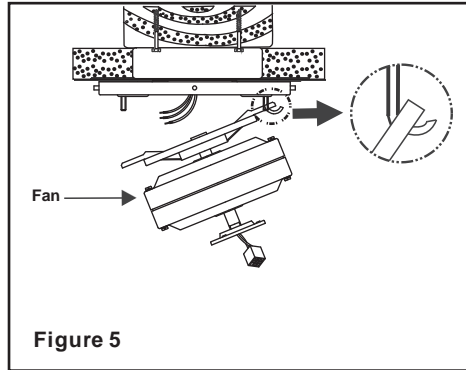
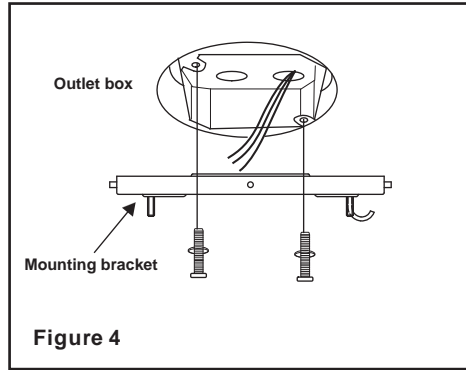
Hanging the Fan

REMEMBER to turn off the power. Follow the steps below to hang your fan properly:

Step 1. Secure the mounting bracket to the ceiling outlet box using screws and lock washers included with your outlet box. (Fig. 4)

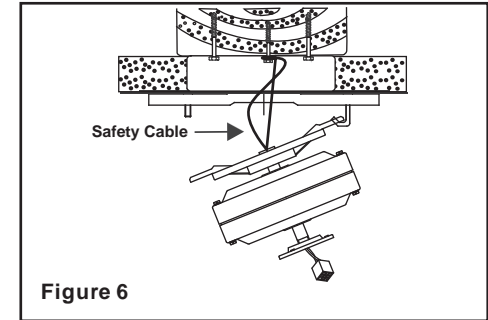
Step 2. Lift fan into position by hanging the motor assembly onto the hook from the ceiling mounting bracket allowing it to hang freely. (Fig. 5)

Step 3. Make the wire connections referring to the section titled "Make the Electrical Connections". You may hold the receiver between the mounting bracket and top motor assembly by hands for easy wire connections.



Installation of Safety Support

An additional safety support is provided to prevent the fan from falling. Secure the safety cable to the ceiling joist with screw and washer, as illustrated in Figure 6.



Make the Electrical Connections

WARNING: To avoid possible electrical shock, be sure electricity is turned off at the main fuse box before wiring.

NOTE: This remote control unit is equipped with 16 code combinations to prevent possible interference from or to other remote units. The frequency switches on your receiver and transmitter have been preset at the factory. Please recheck to make sure the switches on the transmitter and the receiver are set to the same position, any combination of settings will operate the fan as long as the transmitter and receiver are set to the same position. (Fig. 7)

Step 1. (Fig. 8) Motor to Receiver Electrical Connections: Connect the black wire from the fan to the black wire marked "TO MOTOR L". Connect the white wire from the fan to the white wire marked "TO MOTOR N" from the receiver. Connect the blue wire from the fan to the blue wire marked "For Light" from the receiver. Secure the wire connections with the plastic wire nuts provided.

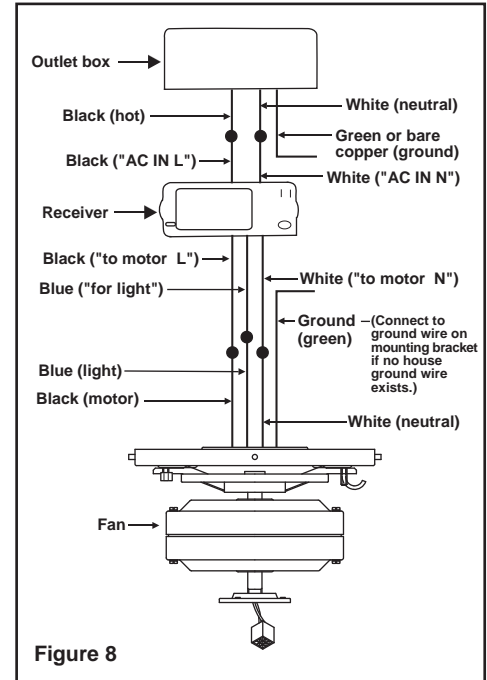
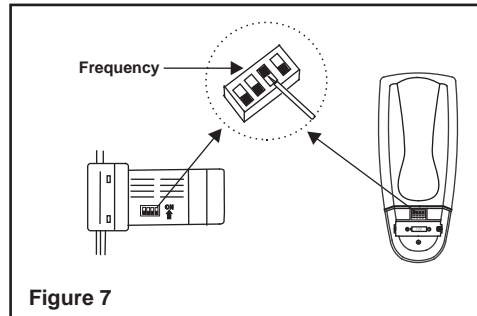
Step 2. (Fig. 8) Receiver to House Supply Wires Electrical Connections: Connect the black (hot) wire from the ceiling to the black wire marked "AC in L" from the receiver. Connect the white (neutral) wire from the ceiling to the white wire

marked "AC in N" from the Receiver. Secure the wire connections with the plastic wire nuts provided.

Step 3. (Fig. 8) If your outlet box has a ground wire (green or bare copper) connect it to the fan ground wires; otherwise connect the hanging bracket ground wire to the mounting bracket. Secure the wire connection with a plastic nut provided.

After connecting the wires spread them apart so that the green and white wires are on one side of the outlet box and black and blue wires are on the other side. Carefully tuck the wire connections up into the outlet box.

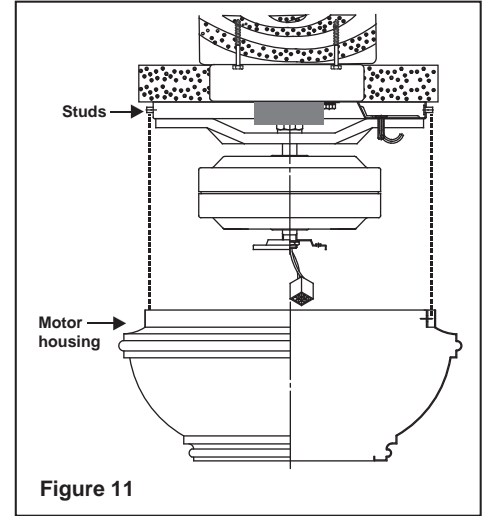
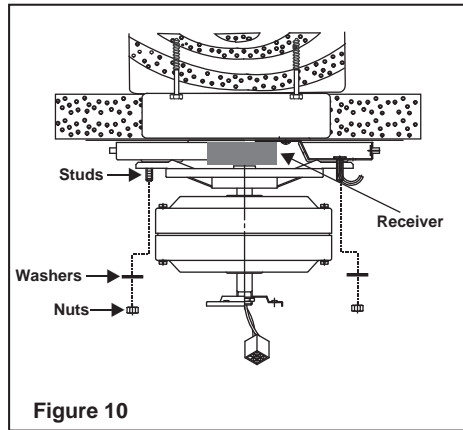
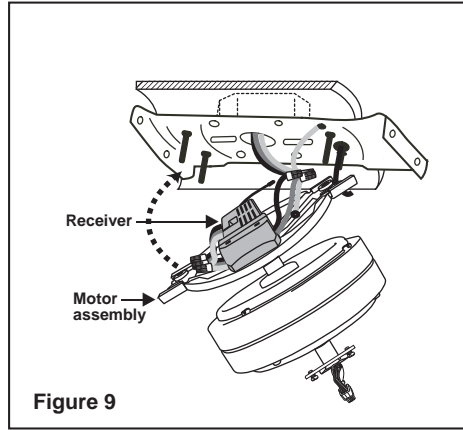
Note: Fan must be installed at a maximum distance of 20 feet from the transmitting unit for proper signal transmission between the transmitting unit and the fan's receiving unit.



Finishing the Installation

Step 1. Place the receiver on the top motor assembly, and tuck connections neatly on the top motor assembly. (Fig. 9) Move the motor assembly into position over the four studs and secure with provided washers and nuts. (Fig. 10)

Step 2. Raise the motor housing up against the mounting bracket, the four supports inside the housing should be placed against the four studs on the mounting bracket, twist the housing clockwise until snug. (Fig. 11)



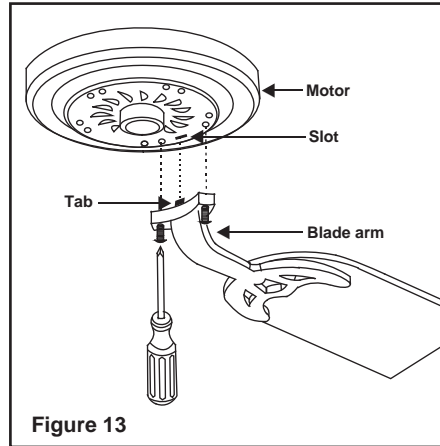
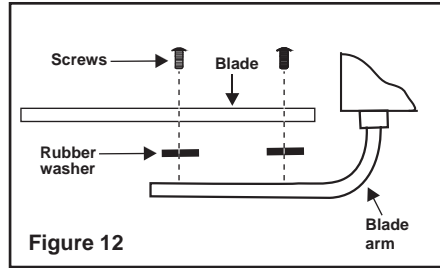
Attaching the Fan Blades

Step 1 Attach blades to blade arms using three screws and rubber washers.(Fig. 12) Start a screw into the blade arm, do not tighten. Repeat for the 2 remaining screws and washers.

Step 2 Tighten each screw securely starting with the center screw. Make sure the blade is straight. Repeat steps for the remaining blades.

Step 3 Fasten the blade arms to the motor by inserting the tab from the blade arms to the slot in the bottom motor housing, then tighten the two screws and washers already installed in the blade arms. (Fig. 13)

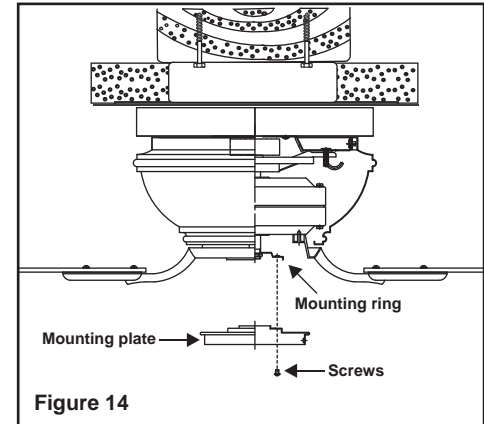
WARNING
TO REDUCE THE RISK OF PERSONAL INJURY, DO NOT BEND THE BLADE ARMS WHILE INSTALLING, BALANCING THE BLADES, OR CLEANING THE FAN. DO NOT INSERT FOREIGN OBJECTS BETWEEN ROTATING FAN BLADES.



Installing the Mounting Plate

Step 1. Remove 1 of the 3 screws from the mounting ring and loosen the other 2 screws. (Do not remove)

Step 2. Place the key holes on the mounting plate over the 2 screws previously loosened from the mounting ring, turn mounting plate until it locks in place at the narrow section of the key holes. Secure by tightening the 2 screws previously loosened and the one previously removed. (Fig. 14)



NOTE: Before starting installation, disconnect the power by turning off the circuit breaker or removing the fuse at fuse box.

1. While holding the light kit assembly under your fan, snap together the wire connection plugs .

2. Carefully push all wires back into the switch housing, then install the light kit assembly onto the mounting plate with 3 screws provided. Be sure to tighten all screws. (Fig.15)

3. Install 3 x 40W candelabra bulbs (not included).

4. Remove the metal nut, glass cap and decorative nut from the light kit. Raise the glass shade up against the light kit, Place the metal nut on the top over the stem and turn it clockwise until it locks up against the glass shade. Do not overtighten. (Fig. 16)

5. Raise the glass cap and decorative nut against the glass shade and secure it to the stem by turning the decorative nut clockwise until snug. Do not overtighten. (Fig. 16)

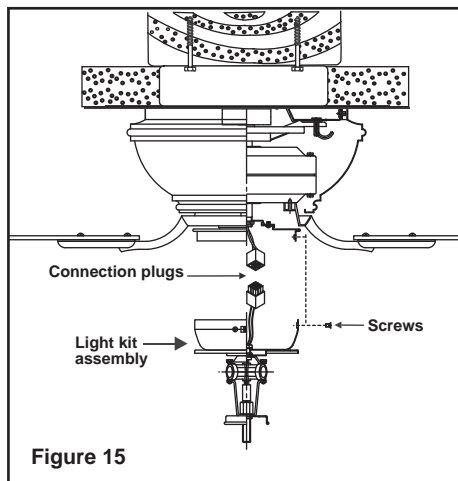


Figure 15

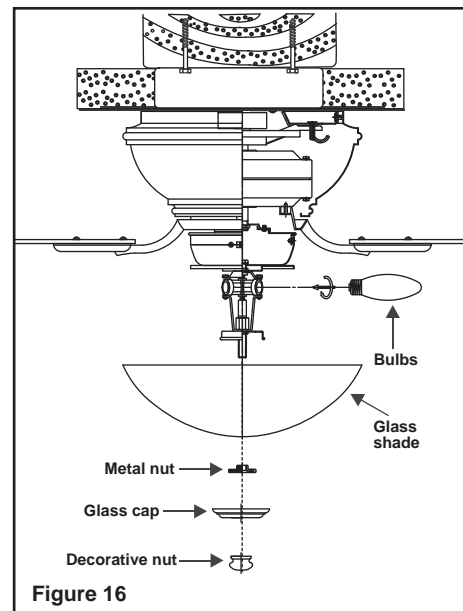
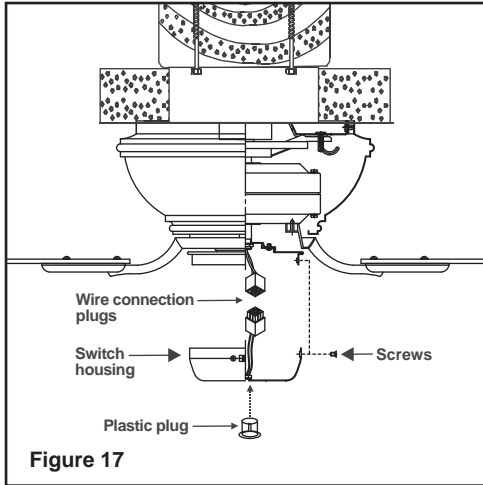


Figure 16

Installing the Light Kit 8.

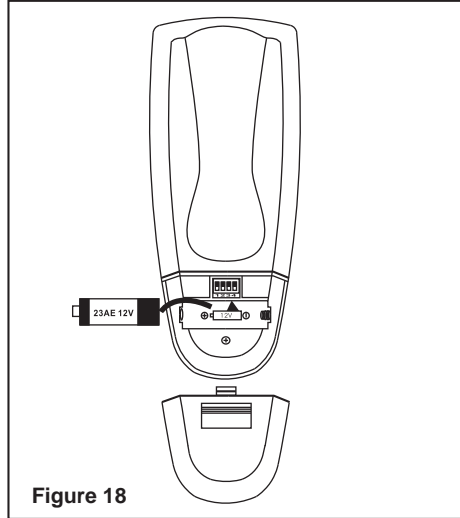
Fan without Light Kit (Optional)

1. Disassemble the switch housing from the light kit, you can keep the light kit for future use.
2. Attach the plastic plug to the switch housing. (Fig. 17)
3. Holding the switch housing under your fan, snap together the wire connection plugs. (Fig. 17)
4. Install the switch housing to the mounting plate with screws provided. (Fig. 17)



Installing the battery:

Install 12V MN21/A23 battery (not included), to prevent damage to transmitter, remove the battery if not used for long periods.



Restore power to the ceiling fan and test for proper operation.

1. "HI, MED, LOW" buttons:

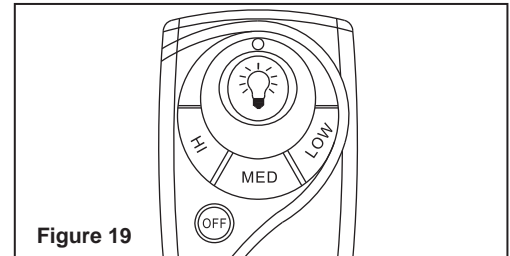
These three buttons are used to set the fan speed as follows:

LOW=Low speed **MED**= Medium speed
HI=High speed

2. "OFF" button:

This button turns the fan off.

3. The "💡" button turns the light ON or OFF and also controls the brightness setting. Press and release the button to turn the light ON or OFF. Press and hold the button to set the desired brightness. The light key has an auto-resume, it will stay at the same brightness as the last time it was turned off.



9. Operating Your Transmitter

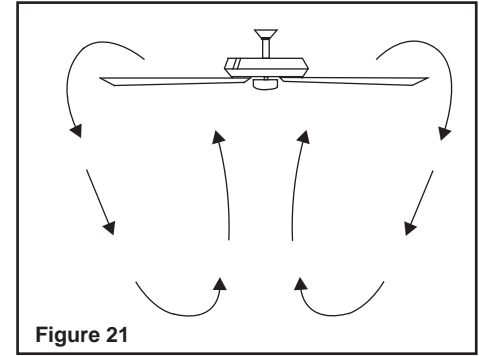
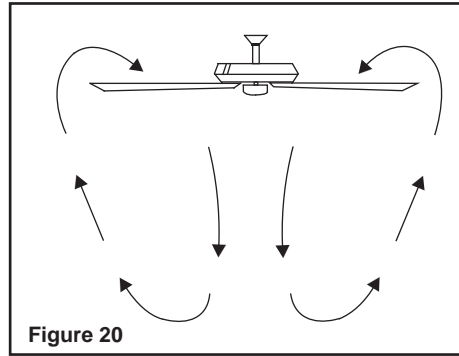
Speed settings for warm or cool weather depend on factors such as the room size, ceiling height, number of fans, etc.

The Reverse switch is located on the switch housing. Slide the switch to the Left for warm weather operation. Slide the switch to the Right for cool weather operation.

NOTE: Wait for fan to stop before changing the setting of the slide switch.

Warm weather - (Counter-Clockwise direction)
A downward airflow creates a cooling effect. (Fig. 20) This allows you to set your air conditioner on a higher setting without affecting your comfort.

Cool weather - (Clockwise direction) An upward airflow moves warm air off the ceiling area. (Fig. 21) This allows you to set your heating unit on a lower setting without affecting your comfort.



Here are some suggestions to help you maintain your fan

1. Because of the fan's natural movement, some connections may become loose. Check the support connections, brackets, and blade attachments twice a year. Make sure they are secure. (It is not necessary to remove fan from ceiling.)
2. Clean your fan periodically to help maintain its new appearance over the years. Use only a soft brush or lint-free cloth to avoid scratching the finish. The plating is sealed with a lacquer to minimize discoloration or tarnishing. Do not use water when cleaning. This could damage the motor, or the wood, or possibly cause an electrical shock.

3. You can apply a light coat of furniture polish to the wood blades for additional protection and enhanced beauty. Cover small scratches with a light application of shoe polish.
4. There is no need to oil your fan. The motor has permanently lubricated bearings.

IMPORTANT
MAKE SURE THE POWER IS OFF AT
THE ELECTRICAL PANEL BOX
BEFORE YOU ATTEMPT ANY
REPAIRS. REFER TO THE
SECTION "MAKING ELECTRICAL
CONNECTIONS".

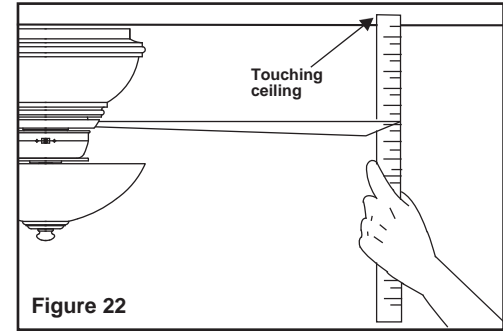


Figure 22

11. Care of Your Fan

Problem

Solution

Fan will not start.

1. Check circuit fuses or breakers.
2. Check line wire connections to the fan and switch wire connections in the switch housing.
CAUTION: Make sure main power is off.
3. Check to make sure the dip switches from the transmitter and receiver are set to the same frequency.

Fan sounds noisy.

1. Make sure all motor housing screws are snug.
2. Make sure the screws that attach the fan blade bracket to the motor hub is tight.
3. Make sure wire nut connections are not rubbing against each other or the interior wall of the switch housing.
CAUTION: Make sure main power is off.
4. Allow a 24-hour "breaking-in" period. Most noise associated with a new fan disappear during this time.
5. If using an optional light kit, make sure the screws securing the glassware are tight. Check that the light bulb is also secure.
6. Do not connect the fan with a wall mounted variable speed control (s)
7. Make sure the upper canopy is a short distance from the ceiling. It should not touch the ceiling.

Fan wobble.

1. Check that all blade and blade arm screws are secure.
2. Most fan wobbling problems are caused when blade levels are unequal. Check this level by selecting a point on the ceiling above the tip of one of the blades. Measure this distance.(Fig. 22) Rotate the fan until the next blade is positioned for measurement. Repeat for each blade. The distance deviation should be equal within 1/8".
3. Use the enclosed Blade Balancing Kit if the blade wobble is still noticeable.
4. If the blade wobble is still noticeable, interchanging two adjacent (side by side) blades can redistribute the weight and possibly result in smoother operation.

WARNING: TO REDUCE THE RISK OF PERSONAL INJURY, DO NOT BEND THE BLADE ARM WHILE INSTALLING, BALANCING THE BLADES, OR CLEANING THE FAN. DO NOT INSERT FOREIGN OBJECTS BETWEEN ROTATING FAN BLADES.

Remote control malfunction:

1. Do not connect the fan with a wall mounted variable speed control(s).
2. Make sure the dip switches are set correctly.

Troubleshooting 12.

| Fan Size | Speed | Volts | Amps | Watts | RPM | CFM | N.W. | G.W. | C.F. |
|-------------------------------|--------|-------|-------------|-----------|------------|----------------|---------------------------------------|--|--------------|
| 52" (1.32 m) | Low | 120 | 0.26 | 11 | 56 | 1831.12 | 9.20 kgs (20.26 lbs) | 10.55 kgs (23.23 lbs) | 2.17' |
| | Medium | 120 | 0.37 | 32 | 100 | 3426.13 | | | |
| | High | 120 | 0.51 | 63 | 145 | 4849.52 | | | |

These are approximate measures. They do not include Amps and Wattage used by the light kit.

Distributed by:
Home Depot of Canada Inc.
900-1 Concorde Gate
Toronto, Ontario
M3C 4H9

13. Specifications