

Operation

REMOTE CONTROL OPERATING INSTRUCTIONS

- Your DC brushless motor is equipped with an automatically learned type remote control. Restore power to ceiling fan and test the transmitter as below for proper operation:
- Install a 12V MN21/A23 battery (LL) (included) into the remote control (J). To prevent damage to the remote control (J), remove the battery if not used for long periods.

Remote Control Button Definitions

These six buttons are used to set the fan speed as follows:

1 = low

2 = medium low

3 = medium

4 = medium high

5 = high

6 = extra high

■ button: Turns the fan off.

↻ button: Controls fan direction.

Setting the Remote Control

Follow the below steps to set the remote control:

The auto learning function will only mandate within 60 seconds when turning the fan's AC power ON.

- Select desired frequency from the back of transmitter.
- From the back of the transmitter, press the "SET" button, and hold the "SET" button for over 5 seconds. Once the receiver has detected the frequency, the light will flash twice, and the fan will automatically begin to operate and start to rotate in the counterclockwise direction and on the highest RPM for 3 minutes. When counterclockwise rotation has finished, the fan will automatically reverse to clockwise direction again to the highest RPM for 3 minutes. Fan will shut off when the self calibration test has finished. The total self calibration test will last about 6 minutes.



NOTE: If the self calibration test failed, turn the AC power off; restore power and process the self calibration test again.



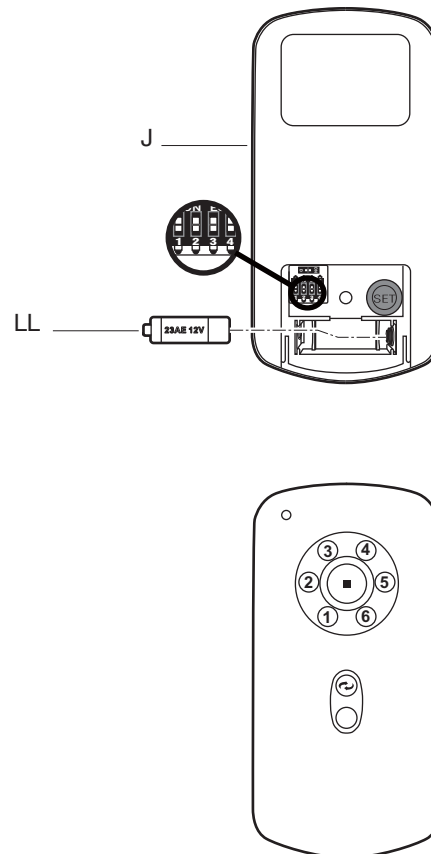
NOTE: During self calibration test, the remote is non-functional.



NOTE: The learning frequency function and self calibration test will continue to retain the last set frequency and calibration set even when the AC power is shut off. If the frequency is changed the self calibration test will occur again.

This receiver provides the following protective function:

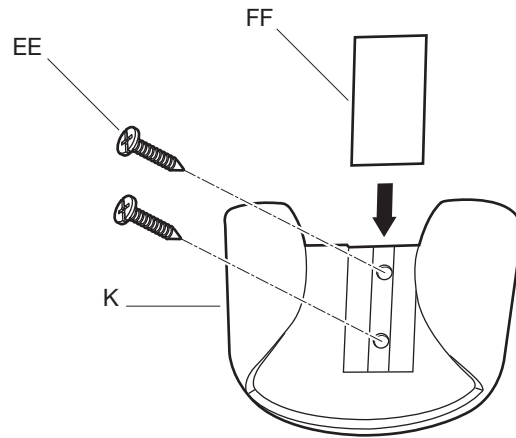
- **Lock Rotor Position:** The DC motor has a built-in safety against a stalled or locked rotor condition (stalled blade rotation). If there is an obstruction or fault with the motor, the current monitoring function will automatically turn power off to the motor after 30 seconds. Remove the obstruction and turn the AC power off. Restore power and re-start fan motor.
- **Over 80W protection:** When the receiver detects motor power consumption which is greater than 80W, the receiver power will be stopped and operation will immediately discontinue. Wait for 5 seconds and then turn the receiver power back on.



Operation (continued)

INSTALLING THE REMOTE CONTROL HOLDER

- Remove the remote control holder cover (FF) from the remote control holder (K).
- Attach the remote control holder (K) with the two remote control holder mounting screws (EE) provided.
- Replace the remote control holder cover (FF) into remote control holder (K).



REVERSE SWITCH OPERATING INSTRUCTIONS

Speed settings for warm or cool weather depend on factors such as the room size, ceiling height, number of fans, and so on.



NOTE: To operate the reverse function on this fan, press the for/rev button while the fan is running.

Warm weather - (Counterclockwise Direction) A downward air flow creates a cooling effect. This allows you to set your air conditioner on a warmer setting without affecting your comfort.

Cool weather - (Clockwise Direction) An upward air flow moves warm air off the ceiling. This allows you to set your heating unit on a cooler setting without affecting your comfort.

