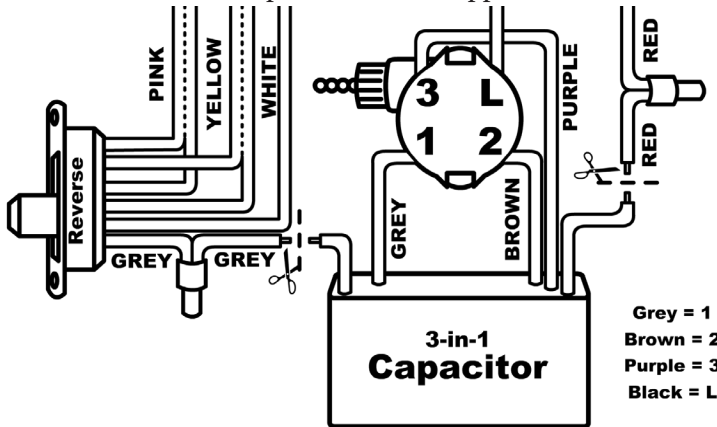


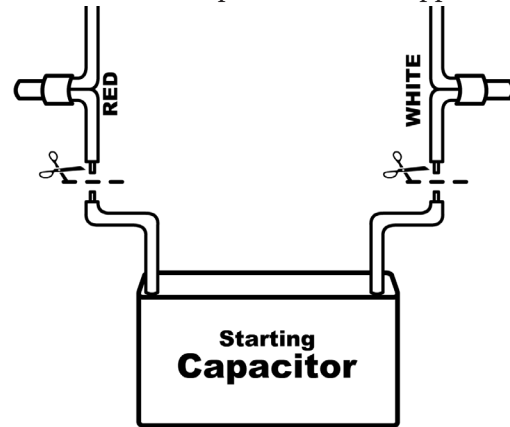
3-in-1 Capacitor

1. Turn off power at the breaker. ⚡
2. Use a pointed tool to release the purple, grey, and brown wires from the speed switch.
3. Cut the red wire and grey wire from the capacitor.
4. The defective capacitor can now be removed.
5. Insert the purple, grey, and brown wires from the new capacitor into the speed switch.
6. Strip the ends of the grey and red wires.
7. Use wire nuts and electrical tape to connect the grey and red wires from the new capacitor to the stripped wires.



Starting Capacitor

1. Turn off power at the breaker. ⚡
2. Bring the fan motor down and remove the top housing or inspect the switch housing for the capacitor (varies by model).
3. Cut the red wire and white wire from the capacitor.
4. Remove any screws (if applicable) holding the capacitor in place.
5. The defective capacitor can now be removed.
6. Strip the ends of the red and white wires.
7. Use wire nuts and electrical tape to connect the red and white wires from the new capacitor to the stripped wires.



⚡ Warning: Risk of Electric Shock. Damaged parts may discharge, handle with care or contact an electrician. ⚡